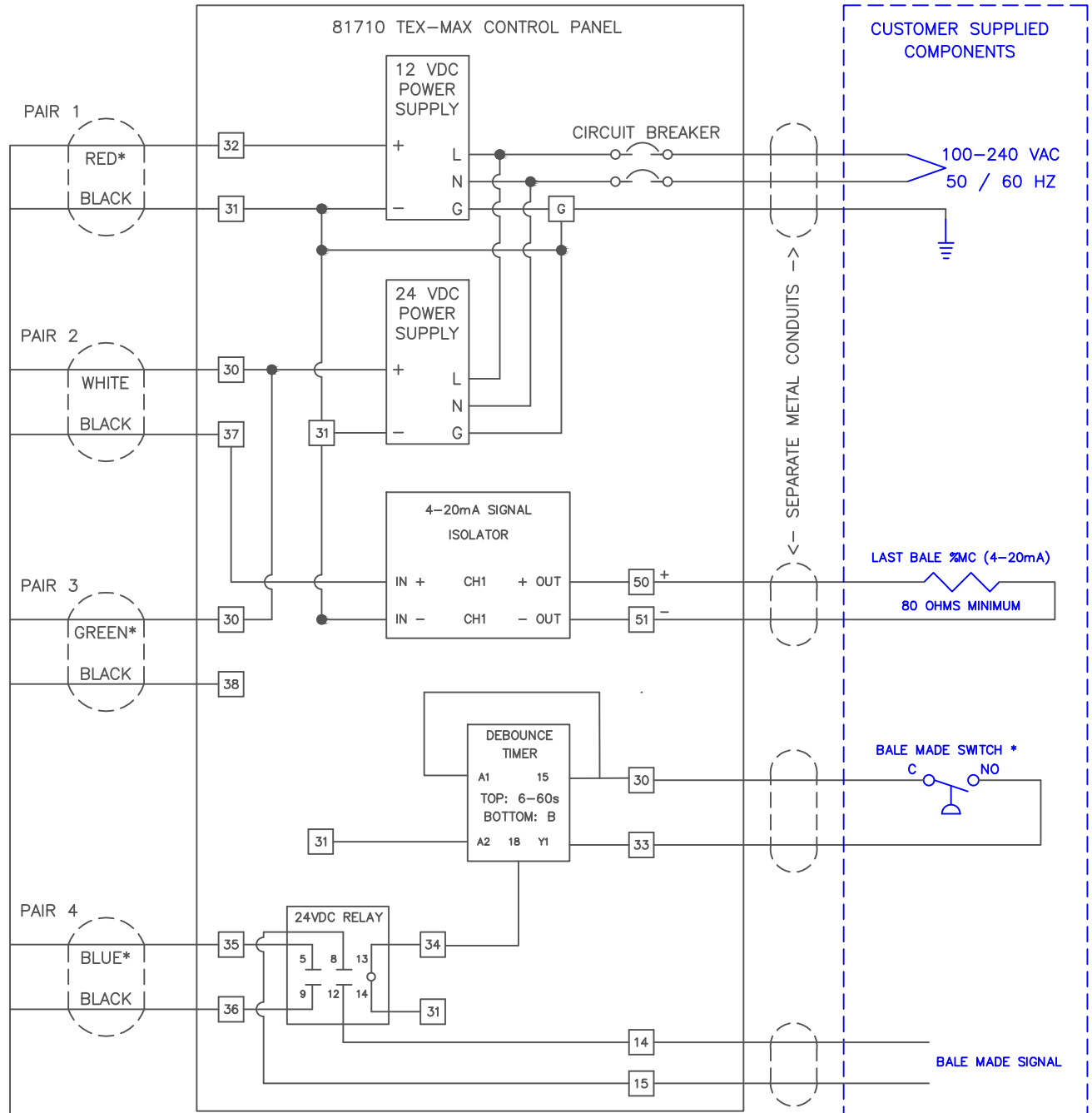
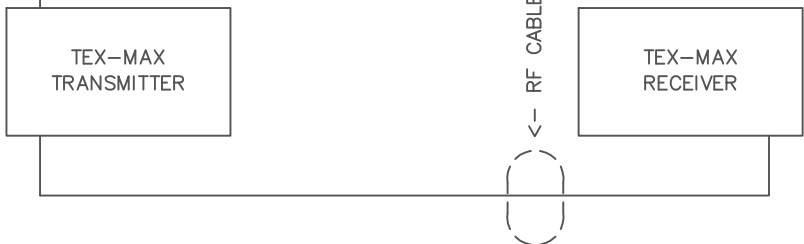


NOT FOR USE ON BALES SUBJECTED TO WATER SPRAY



* WIRE MAY BE WHITE

CABLE FROM TEX-MAX TRANSMITTER



* BALE SWITCH MUST BE TRIGGERED BEFORE BALE EXITS TEX-MAX SENSING AREA

SAMUEL JACKSON, INC.

ELECTRICAL SCHEMATIC FOR 81710 TEX-MAX

CA13945D
01-10