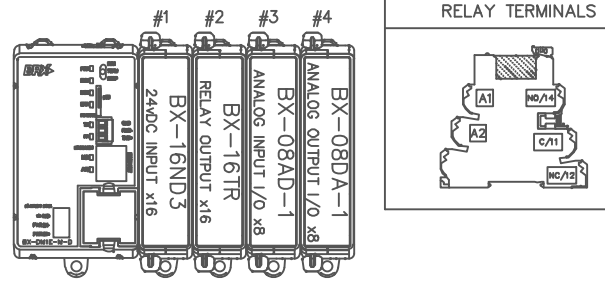
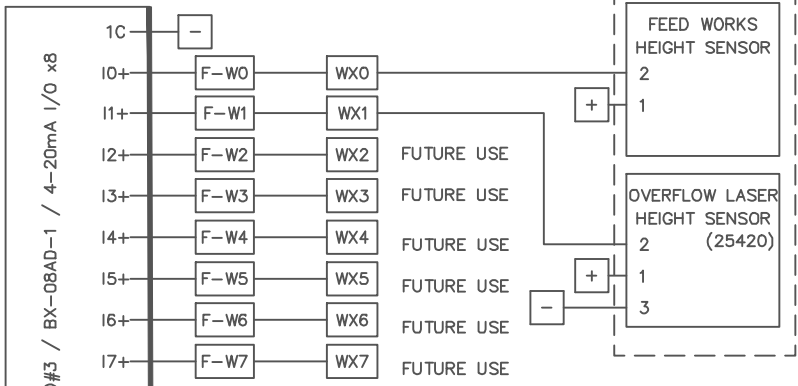


SAMUEL JACKSON, INC.

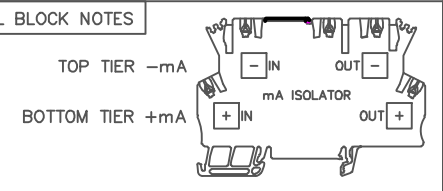
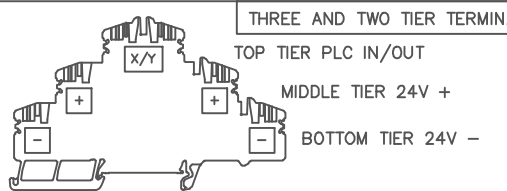
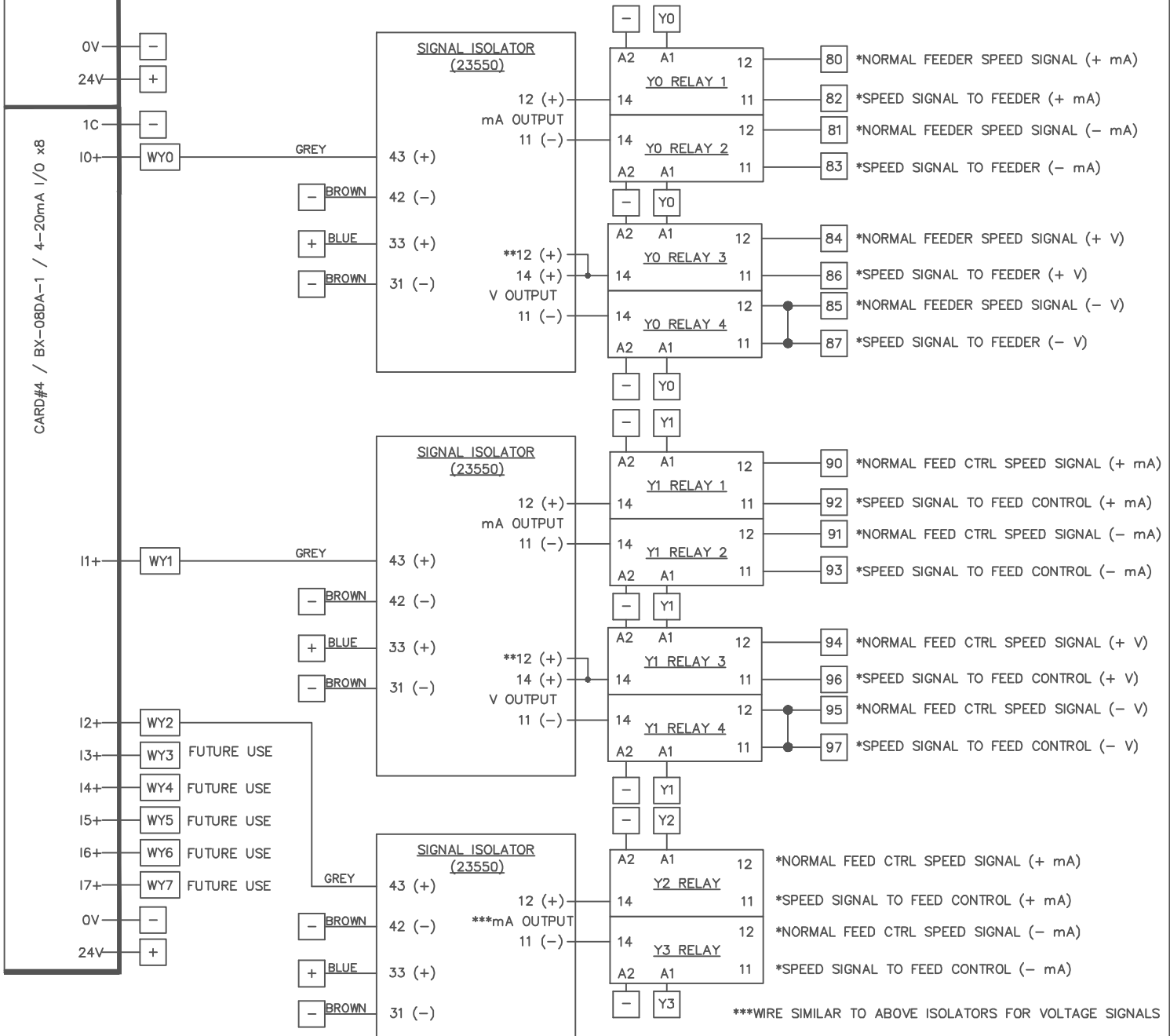
FLOW ASSIST  
EXTERNAL ELECTRICAL  
CONNECTIONS

CA21202  
01-21



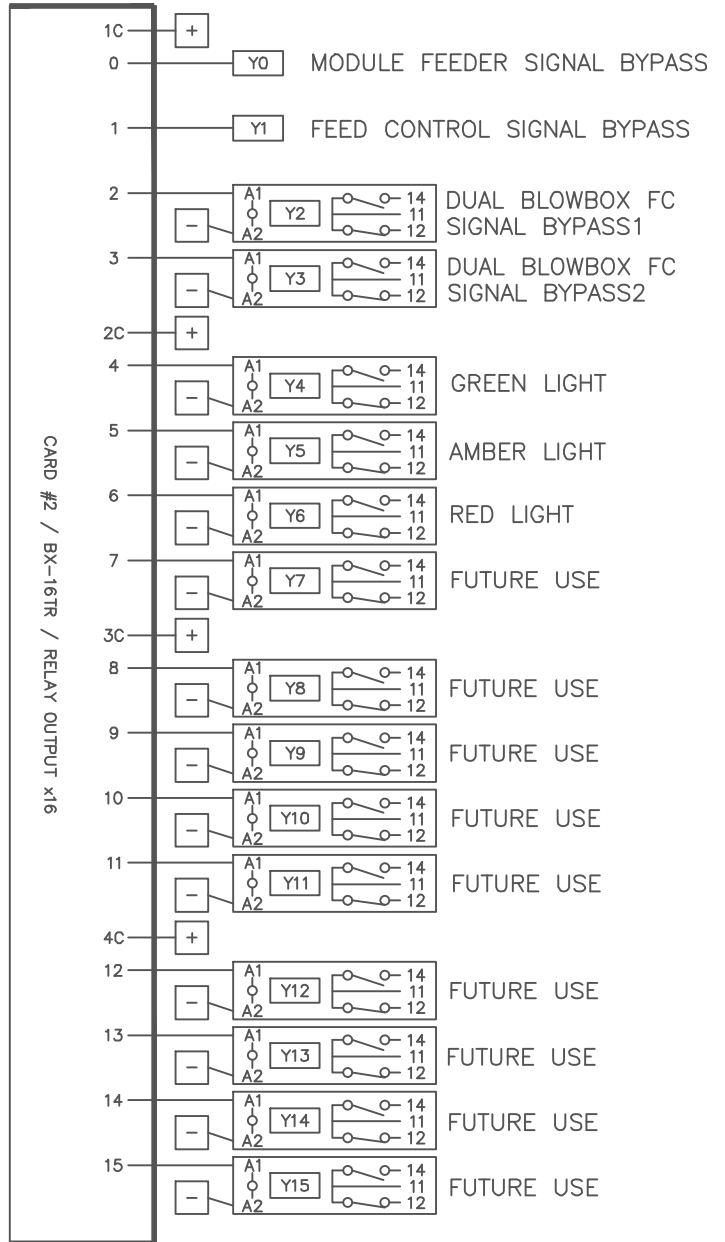
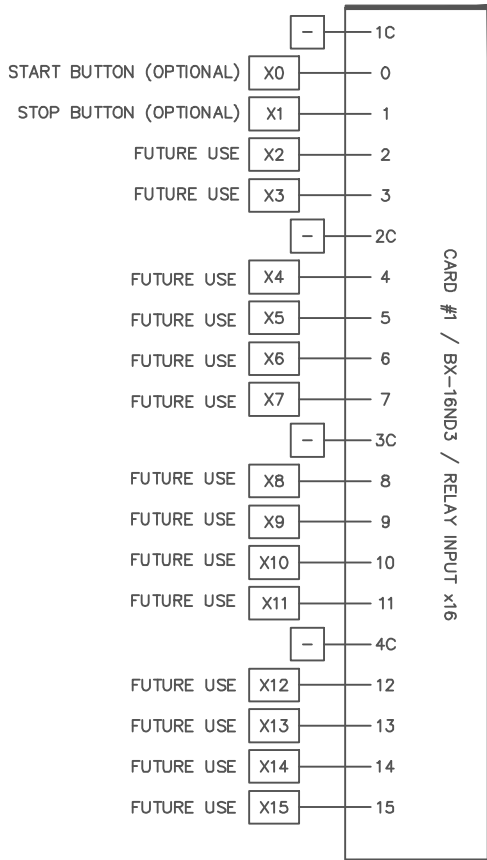
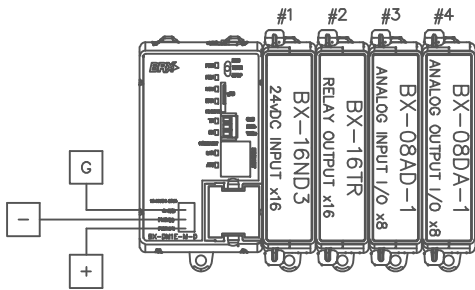
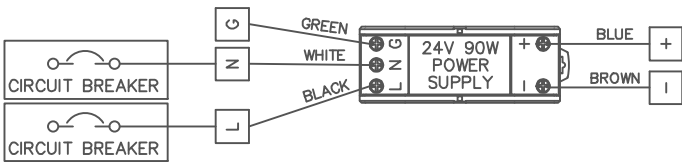
\* SPEED SIGNAL TO FEED CONTROL MUST BE INTERCEPTED BY FLOW ASSIST.  
\*\* SUBSTITUTE 13 FOR 12 WHEN USING 0-1V OUTPUT

IF ORIGINAL SPEED SIGNAL IS 0-20mA OR 4-20mA USE TERMINALS 80-83(MODULE FEEDER), 90-93(FEED CONTROL)  
IF ORIGINAL FEED CONTROL SPEED SIGNAL IS 0-10V OR 0-5V USE TERMINALS 84-87(MODULE FEEDER) 94-97(FEED CONTROL)

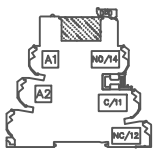


SAMUEL JACKSON, INC.  
ELECTRICAL SCHEMATIC  
WITH ANALOG PLC I/O  
FOR FLOW ASSIST  
CONTROL PANEL

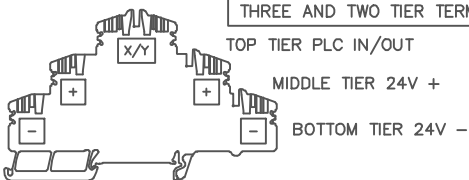
CA21200A  
03-2022



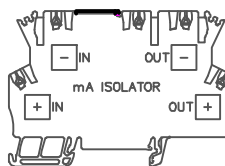
RELAY TERMINALS



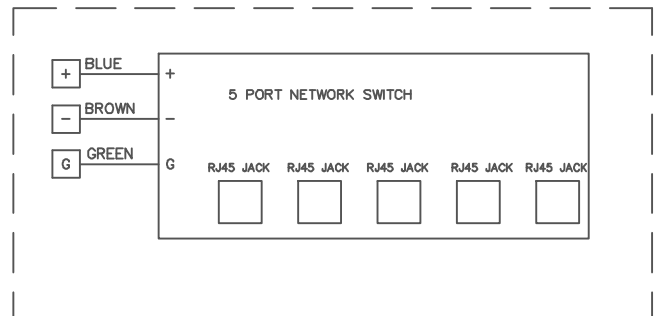
THREE AND TWO TIER TERMINAL BLOCK NOTES



TOP TIER -mA  
BOTTOM TIER +mA



\*Optional Network Switch\*



SAMUEL JACKSON, INC.

ELECTRICAL SCHEMATIC  
WITH DISCRETE PLC I/O  
FOR FLOW ASSIST  
CONTROL PANEL

CA21201  
01-2021