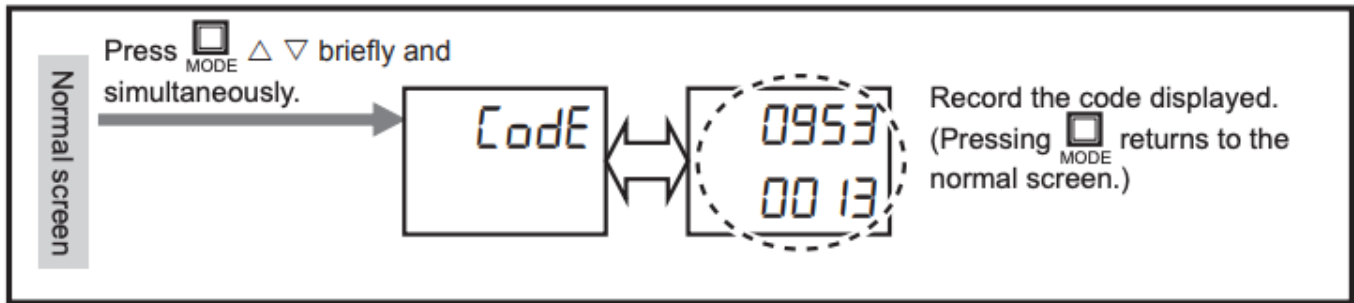


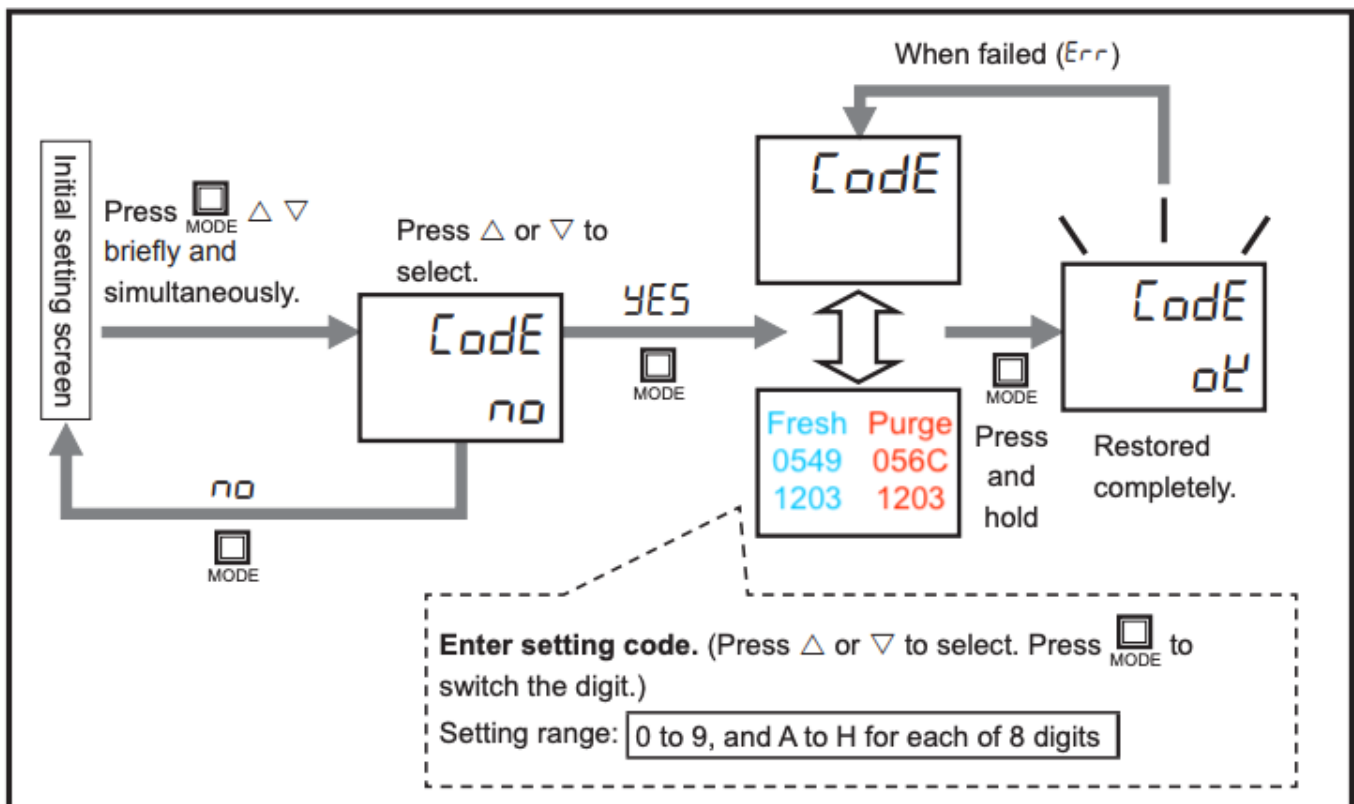
Checking the current quick setting code

(Perform from the normal screen.)



Restoring the settings by entering the code

(Perform from the initial setting screen.)



Reference

The initial setting screen is displayed when "Initializing" is performed, or when the power is turned on for the first time.