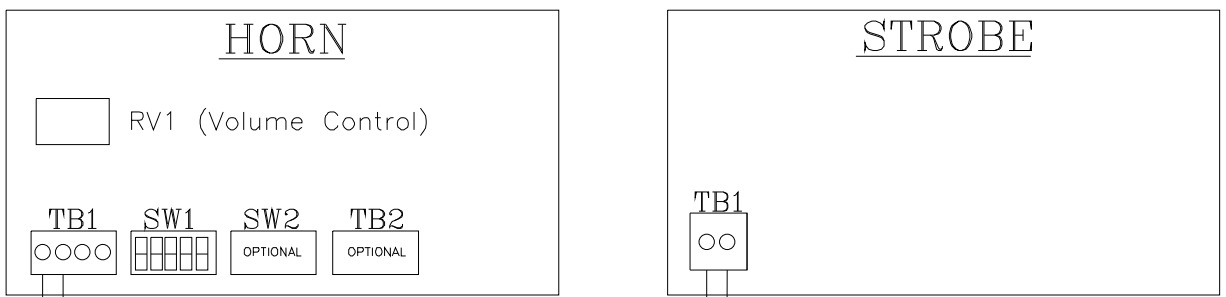
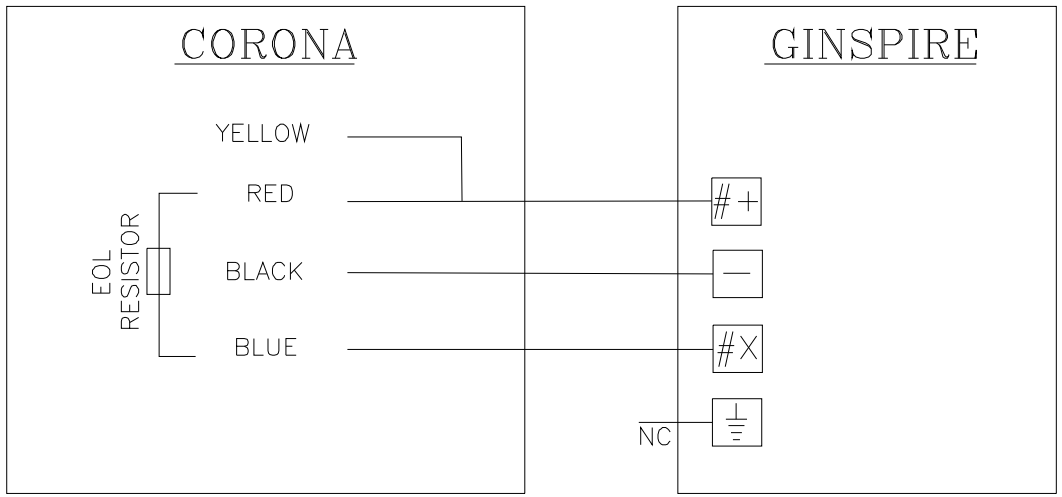
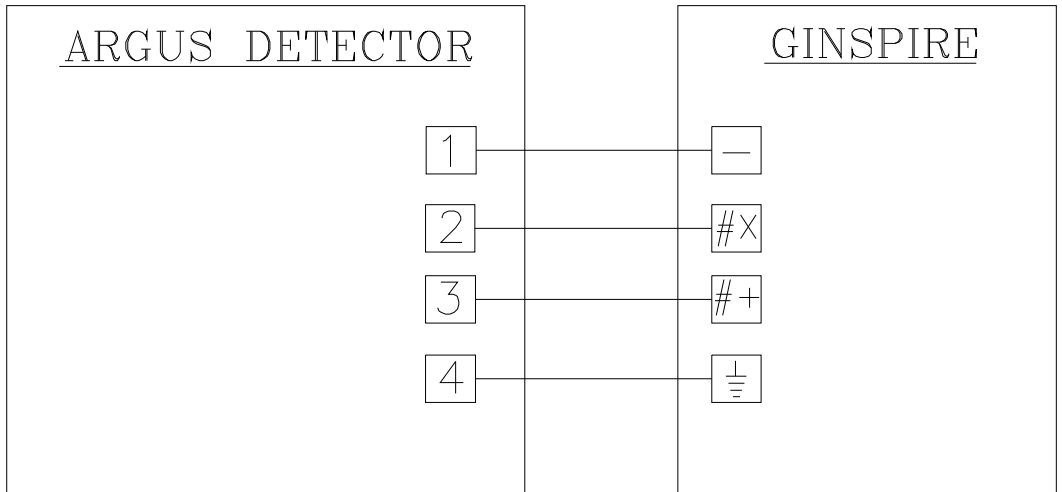


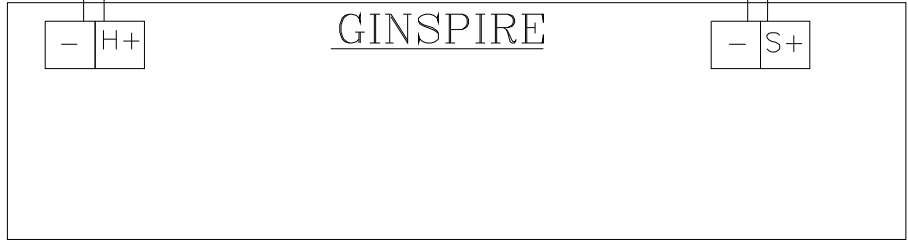
# CORRESPONDS TO THE ZONE NUMBER



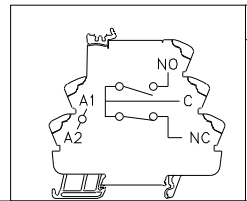
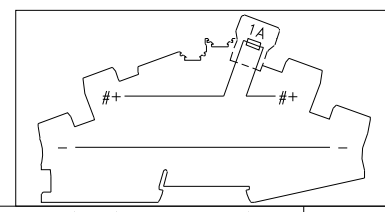
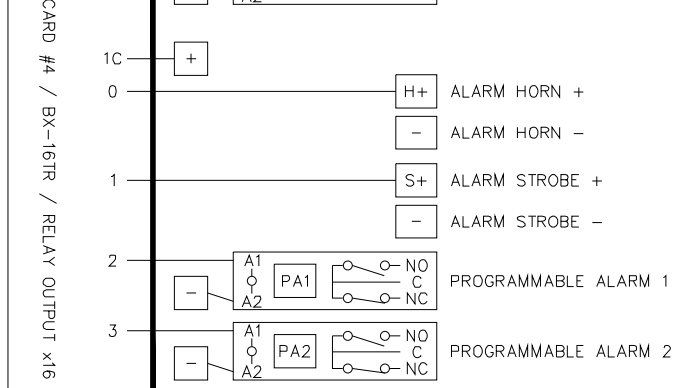
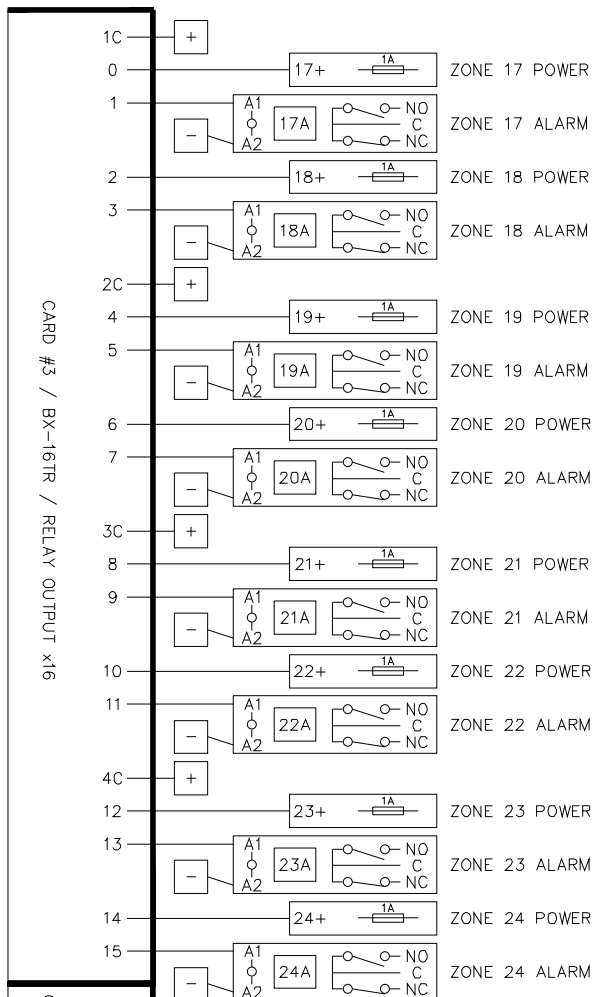
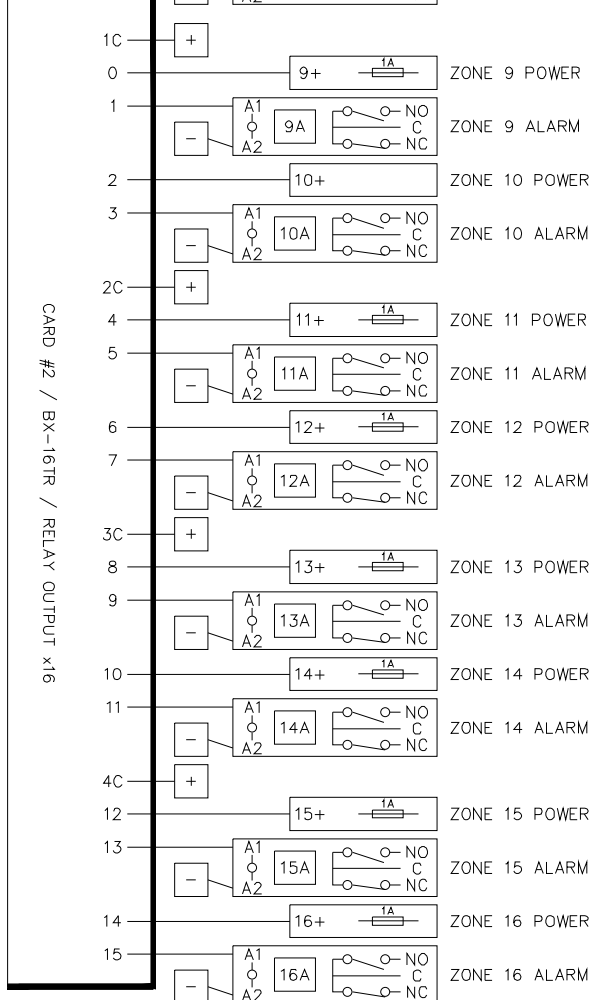
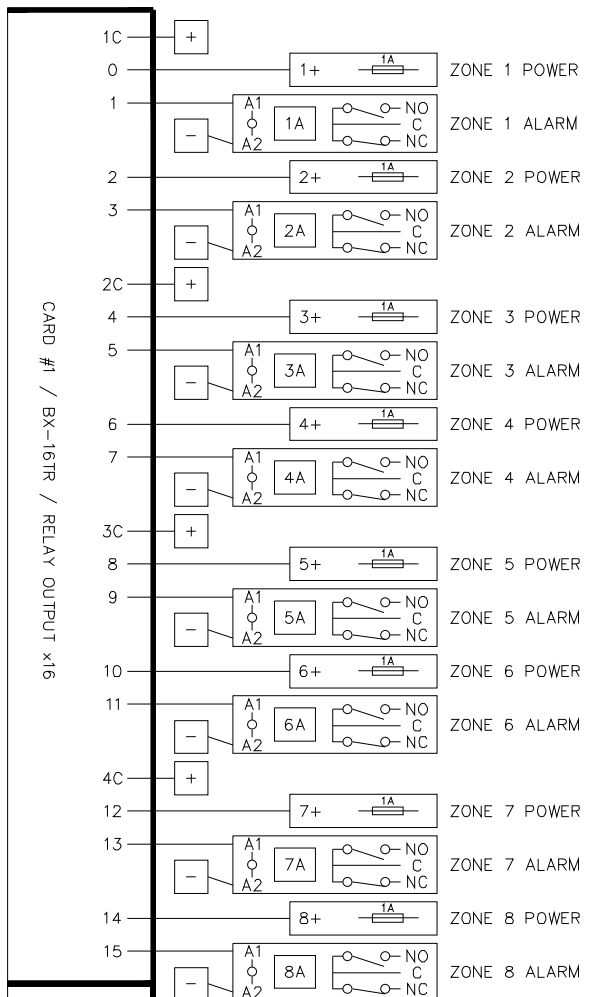
\*Green \*3

\* EXISTING ARGUS WIRE LABELS FROM HORN/STROBE

\*2 \*1



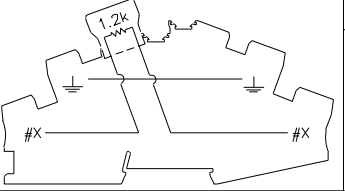
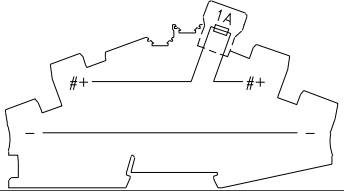
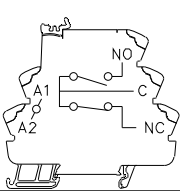
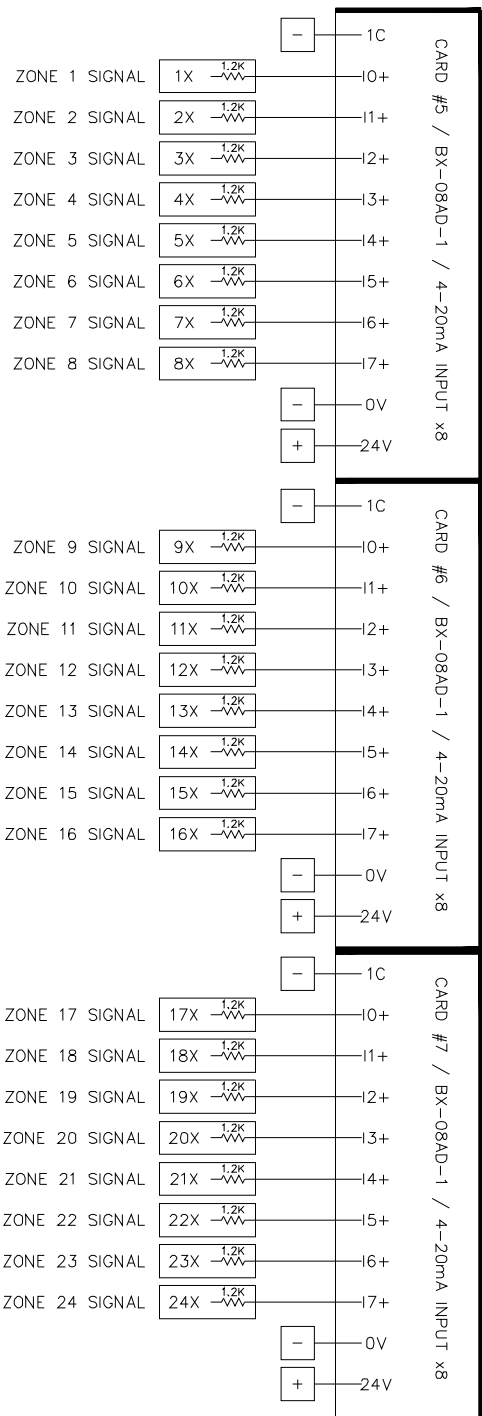
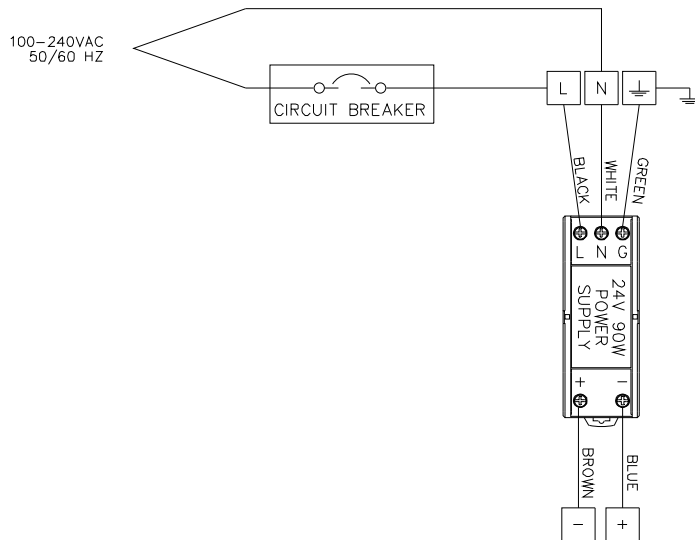
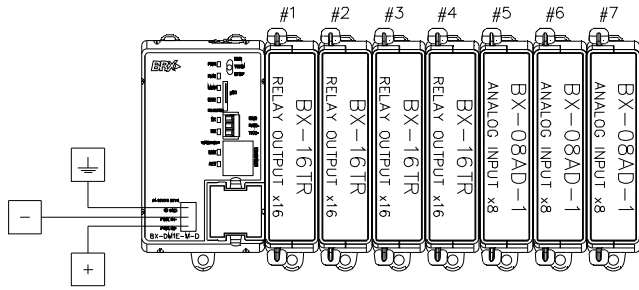
SAMUEL JACKSON, INC.	
EXTERNAL WIRING OF GINSPIRE	
10-19	CA5737



SAMUEL JACKSON, INC.

GINSPIRE  
CONTROL PANEL  
PANEL WIRING  
PAGE 1 OF 2

CA20720  
12-2018



SAMUEL JACKSON, INC.

GINSPIRE  
CONTROL PANEL  
PANEL WIRING  
PAGE 2 OF 2

CA20721  
12-2018