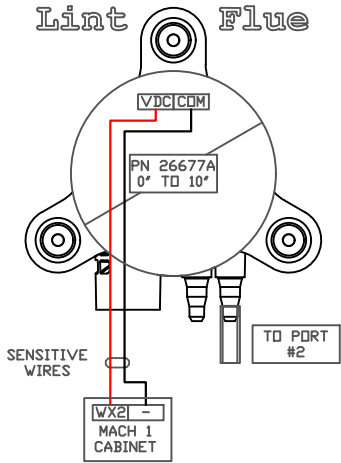
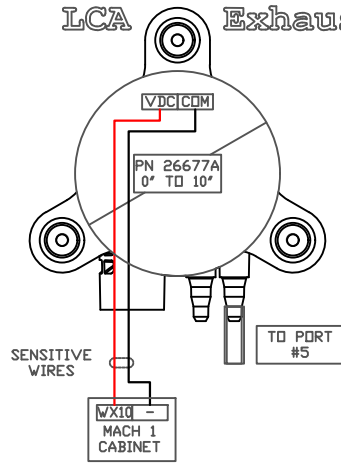


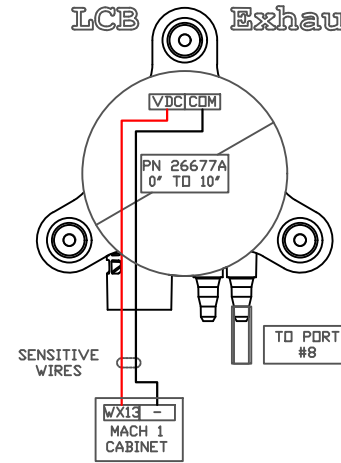
Lint Flue



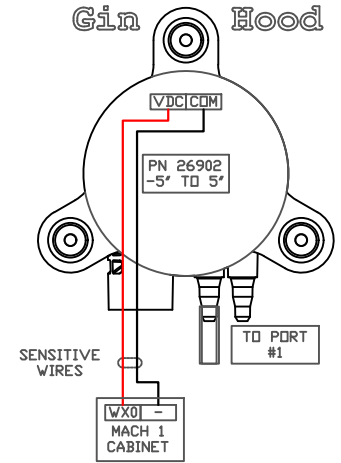
LCA Exhaust



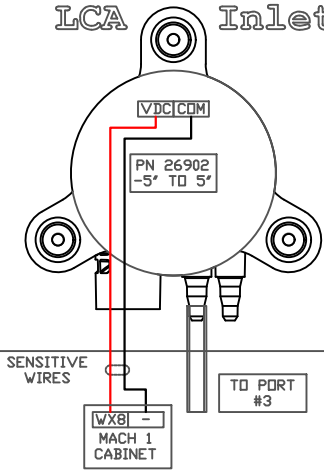
LCB Exhaust



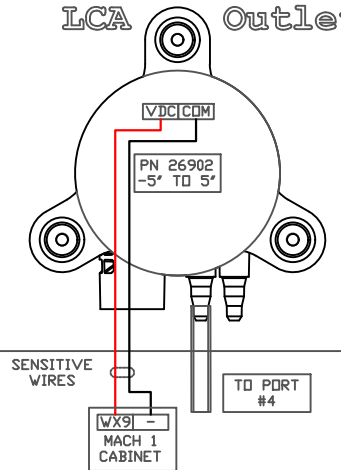
Gin Hood



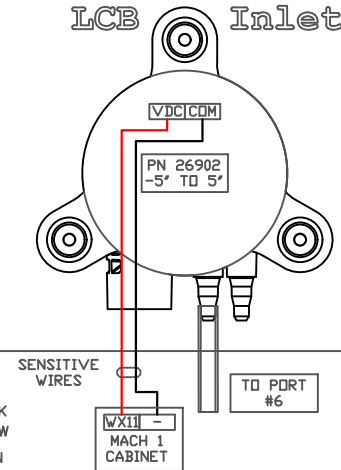
LCA Inlet



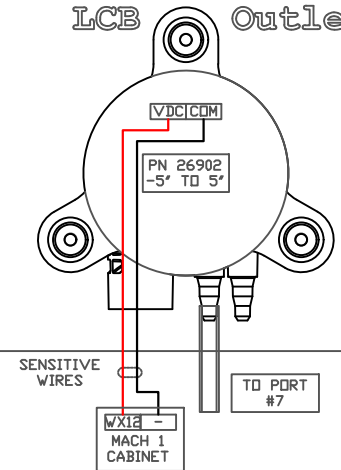
LCA Outlet



LCB Inlet



LCB Outlet



BLACK
YELLOW
GREEN

SENSITIVE WIRES:
USE ONLY SHIELDED, 2 CONDUCTOR CABLE FURNISHED
WITH UNIT. RUN IN SEPERATE CONDUIT FROM HIGH
VOLTAGE POWER WIRES.

REFER TO DRAWING 5841 OR 5928 FOR HELP WITH
PORT PLACEMENT FOR MEASUREMENT. DO NOT WIRE UP
OR INSTALL SENSORS THAT DON'T EXIST (EG IF ONLY 1
LINT CLEANER, DO NOT WIRE UP LCB SENSORS, OR IF
ONLY ONE FAN PULLS ON TANDEM LCS, ONLY INSTALL
LCA EXHAUST ON THAT LINE)

SAMUEL JACKSON, INC.

MACH 1 AIR TRASDUCER
WIRING/PLACEMENT GUIDE

REF: 5841, 5928

DWN. BY AH

DRAWING NO.

JOB NO.

SCALE:

DATE 7/4/23

5932