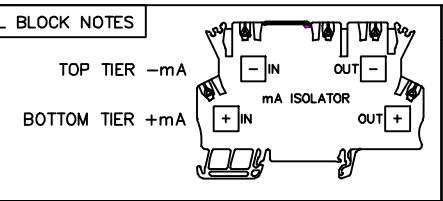
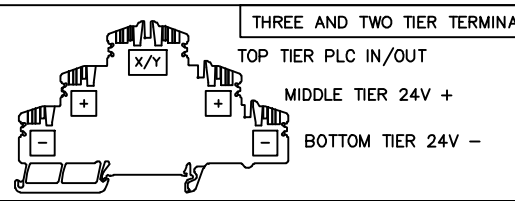
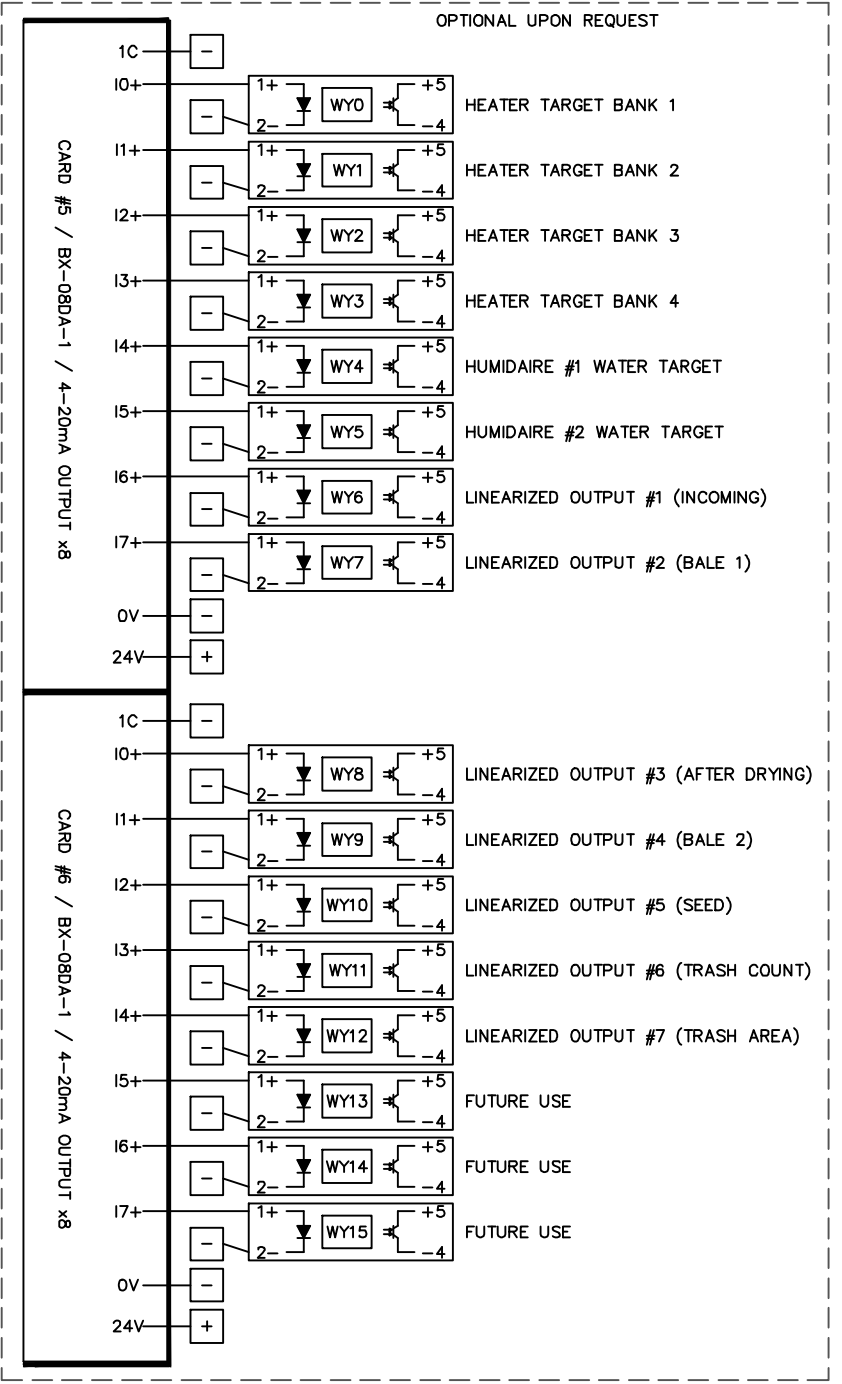
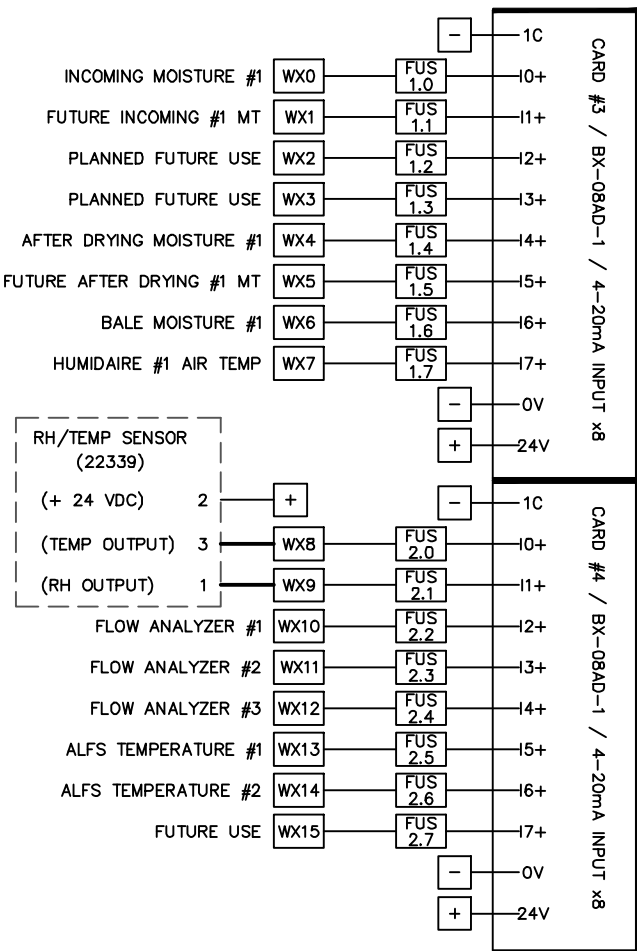


SAMUEL JACKSON, INC.
MIRROR SPECTRUM
PRIMARY CONTROL
PANEL WIRING
PAGE 1 OF 2

CA83605A
06-2023



SAMUEL JACKSON, INC.

MIRROR SPECTRUM
PRIMARY CONTROL
PANEL WIRING
PAGE 2 OF 2

CA83606E
10-2023