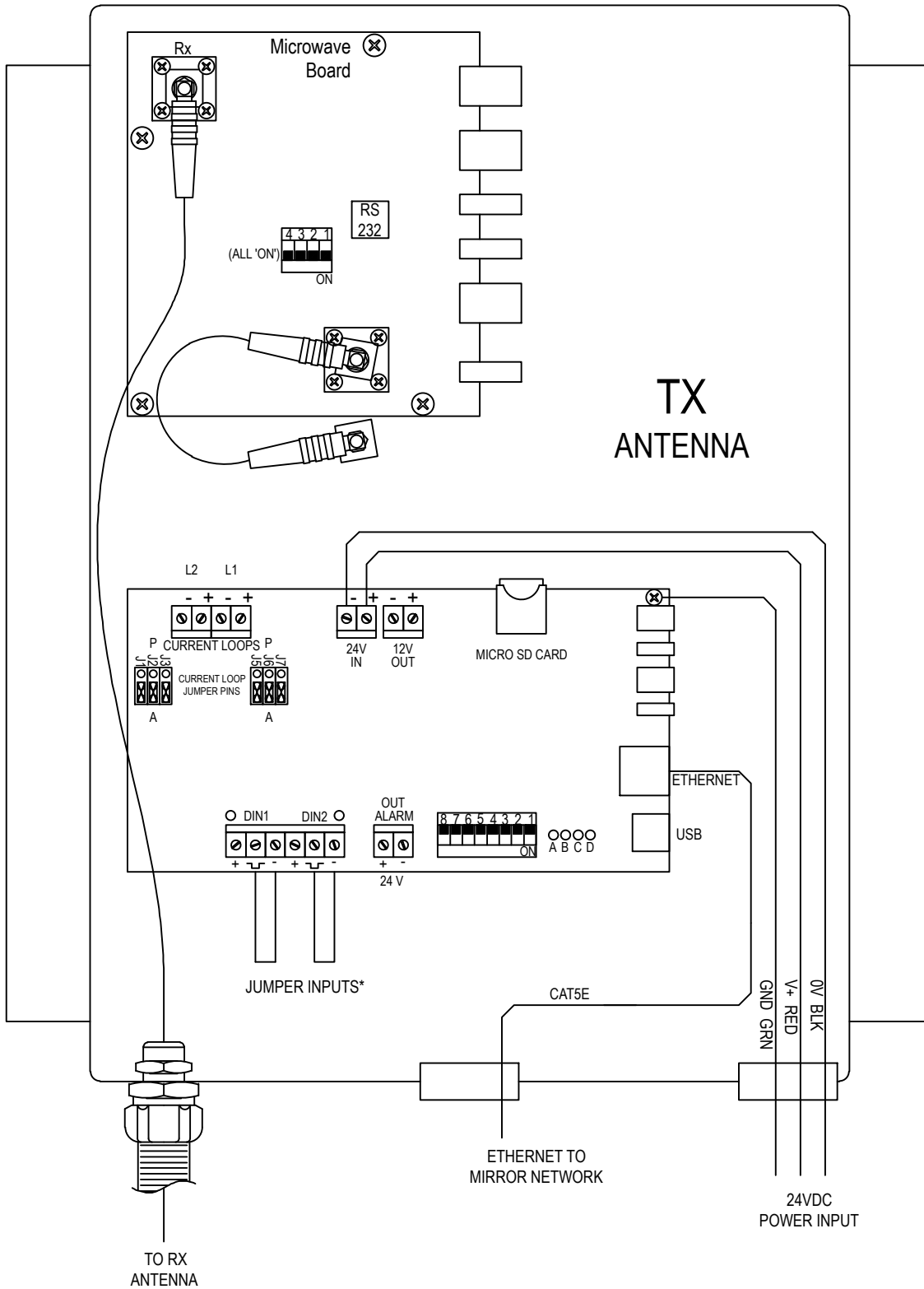


# ETHERNET ELECTRICAL CONNECTIONS

## 81710A Texmax Microwave Moisture Sensor

CA13947  
11-17

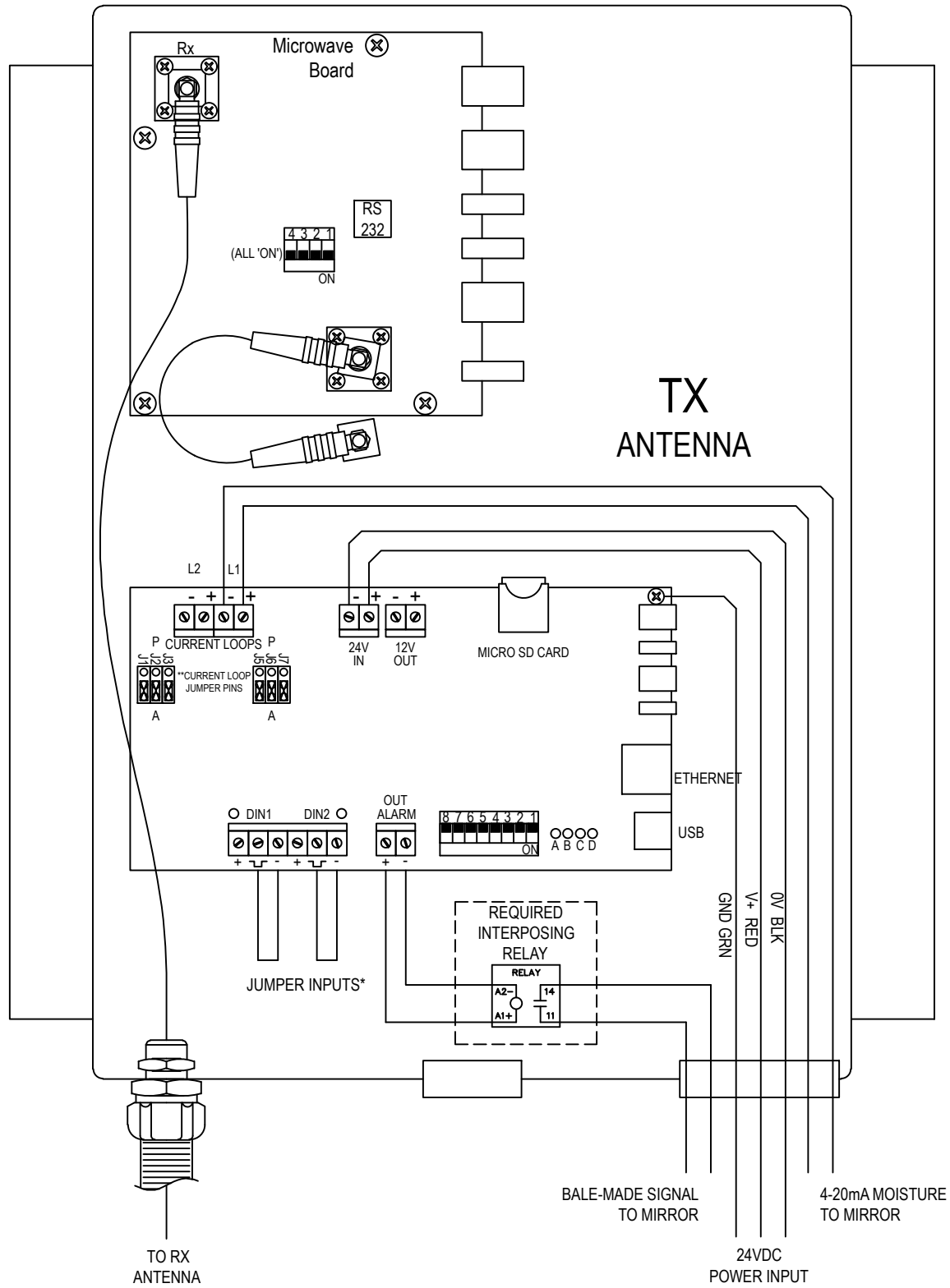


NOTES:  
\*INPUT 1 (DIN1) MAY BE USED WHERE THERE IS NO SEPARATION BETWEEN BALES AT TEXMAX

# ANALOG ELECTRICAL CONNECTIONS

## 81710A Texmax Microwave Moisture Sensor

CA13948A  
7-18



**NOTES:**

- \*INPUT 1 (DIN1) MAY BE USED AS TRIGGER WHERE THERE IS NO SEPARATION BETWEEN BALES AT TEXMAX
- \*\*CURRENT LOOP JUMPERS SHOULD BE SET TO POWERED