

FOR ELECTRICAL SCHEMATIC FOR
HU-60-1105B, REFER TO DRAWING
14-2451A FOR SER. 4944-4945
14-2470 FOR SER. 4946-4953

SAMUEL JACKSON MFG. CORP.

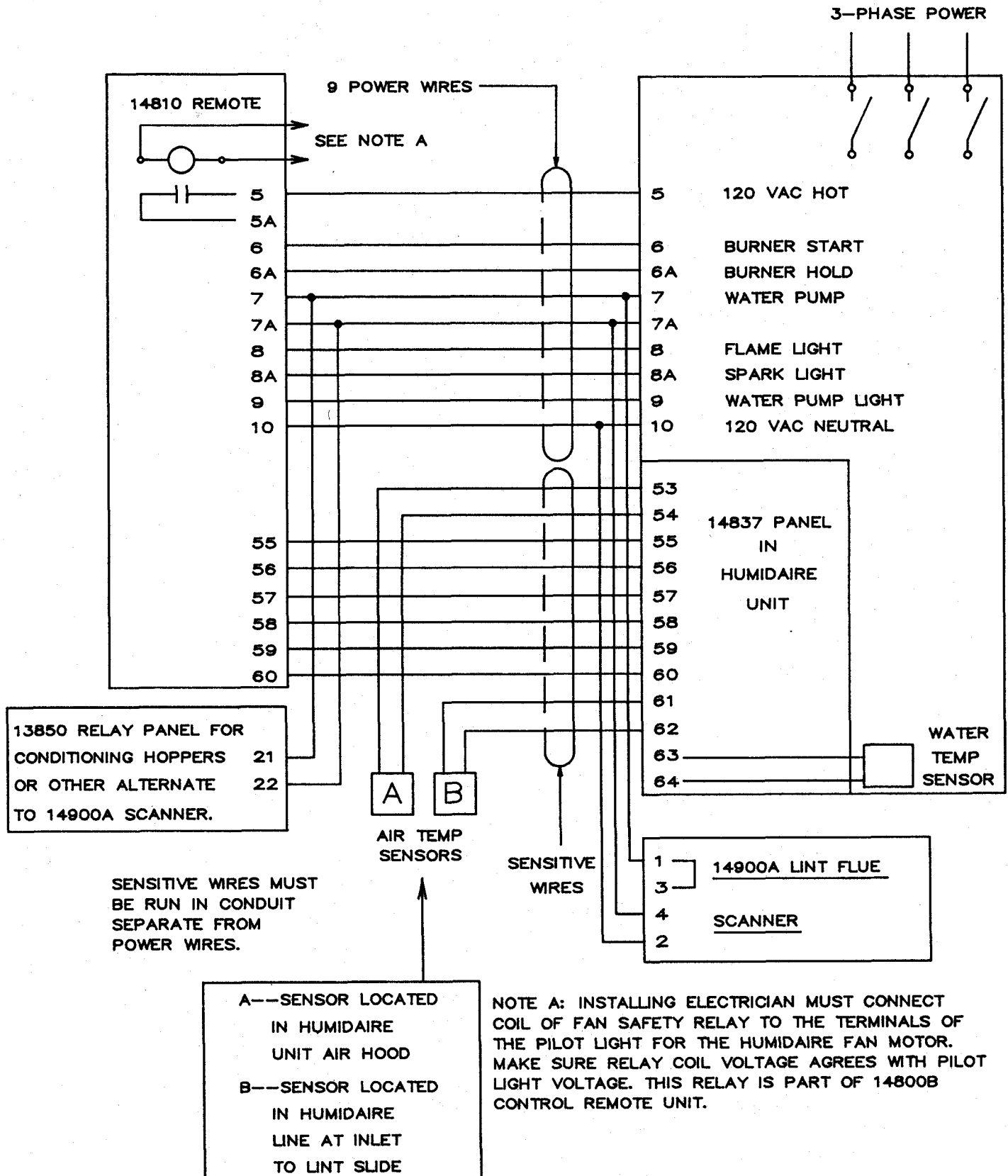
ELECTRICAL CONNECTIONS
14800 B CONTROL
USED WITH HU-60-1105B
SERIALS 4944 - 4953

DATE 2-87

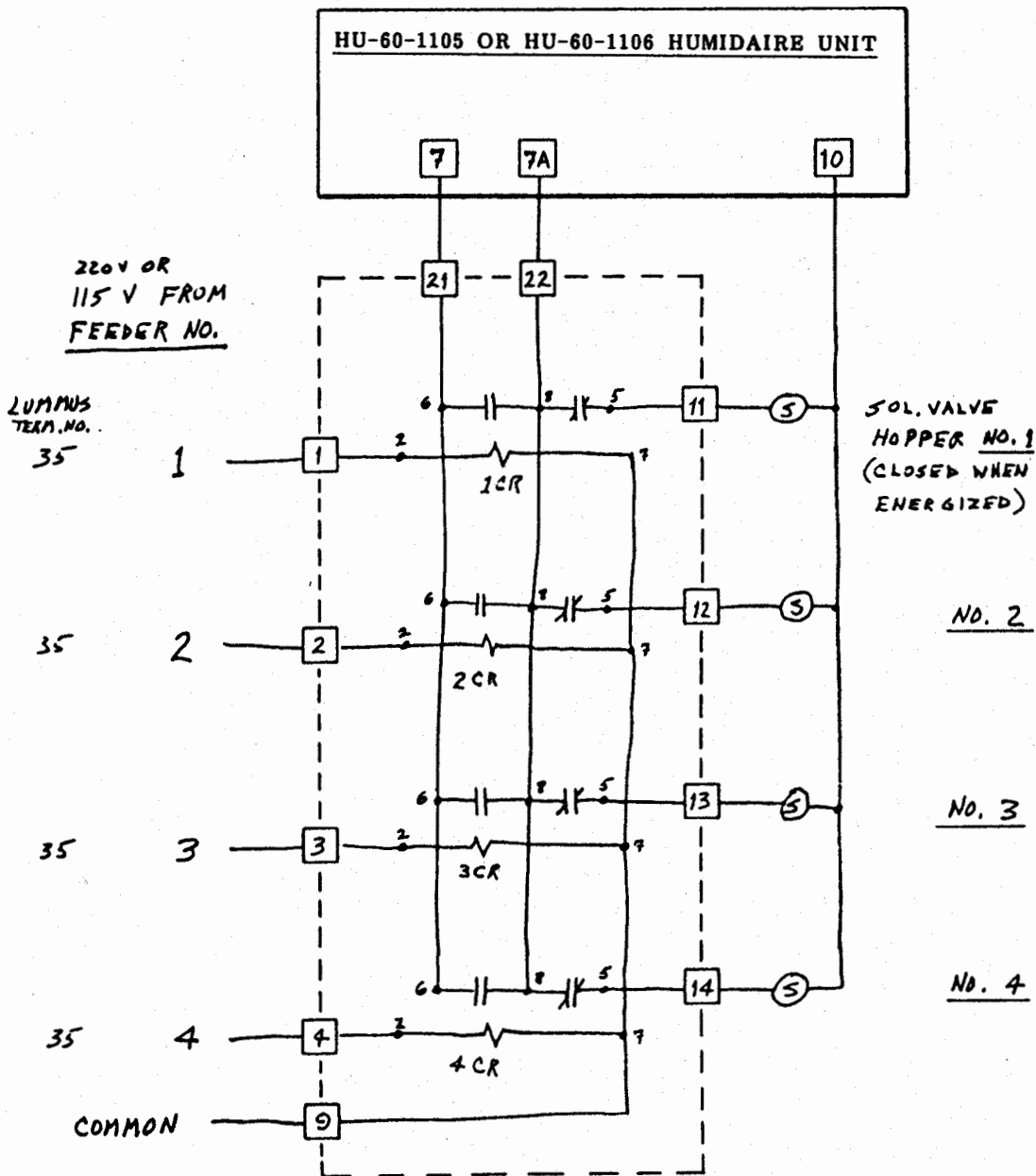
DRAWING NO.
14 - 2471

EXTERNAL ELECTRICAL CONNECTIONS HU-60-1105B HUMIDAIRE UNIT WITH 14800B CONTROL

2222
10-88



ELECTRICAL SCHEMATIC
13850 RELAY PANEL
FOR JACKSON CONDITIONING HOPPERS

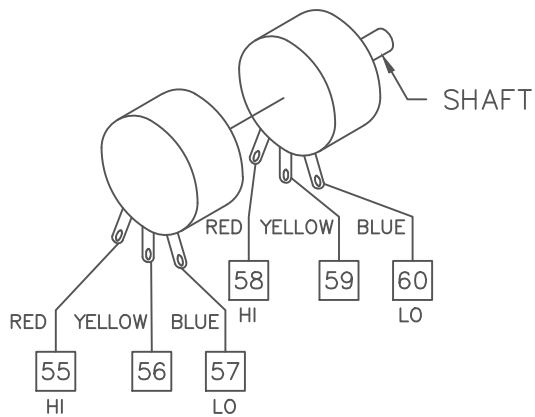
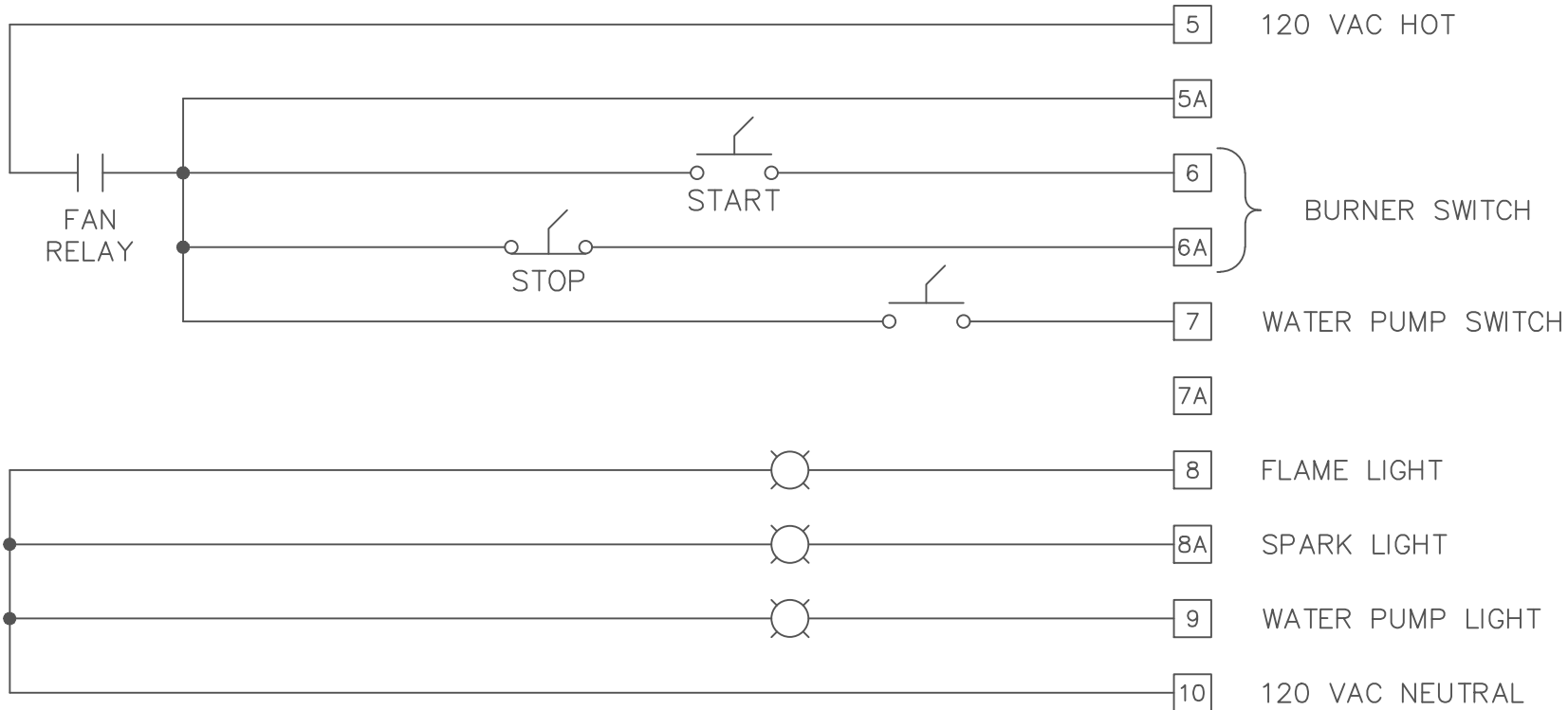


REF: LUMMUS EC-79 1253 B

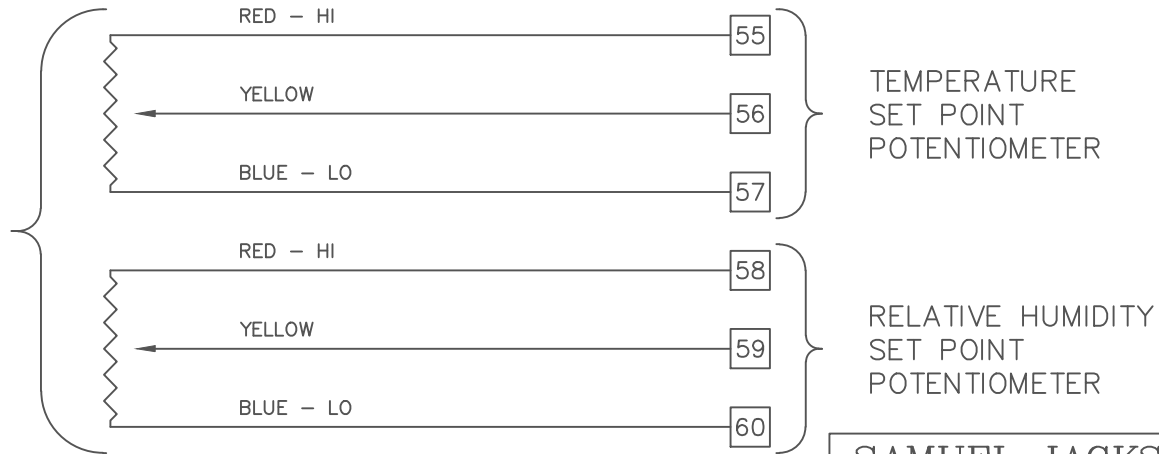
4 NO. 13146 RELAYS, KRP 11A 120 VAC.
 USE 220 V RELAYS FOR LUMMUS EXPORT.
 SOLENOID VALVE COILS ARE ALWAYS
 120 VAC. THEIR POWER COMES FROM
 TERMINAL 7 OF HUMIDAIRE UNIT.

5-85

14-2330B



10-14807
DUAL 400 OHMS
POTENTIOMETER



SAMUEL JACKSON MFG. CO.

ELECTRICAL SCHEMATIC FOR

14840 REMOTE CONTROL

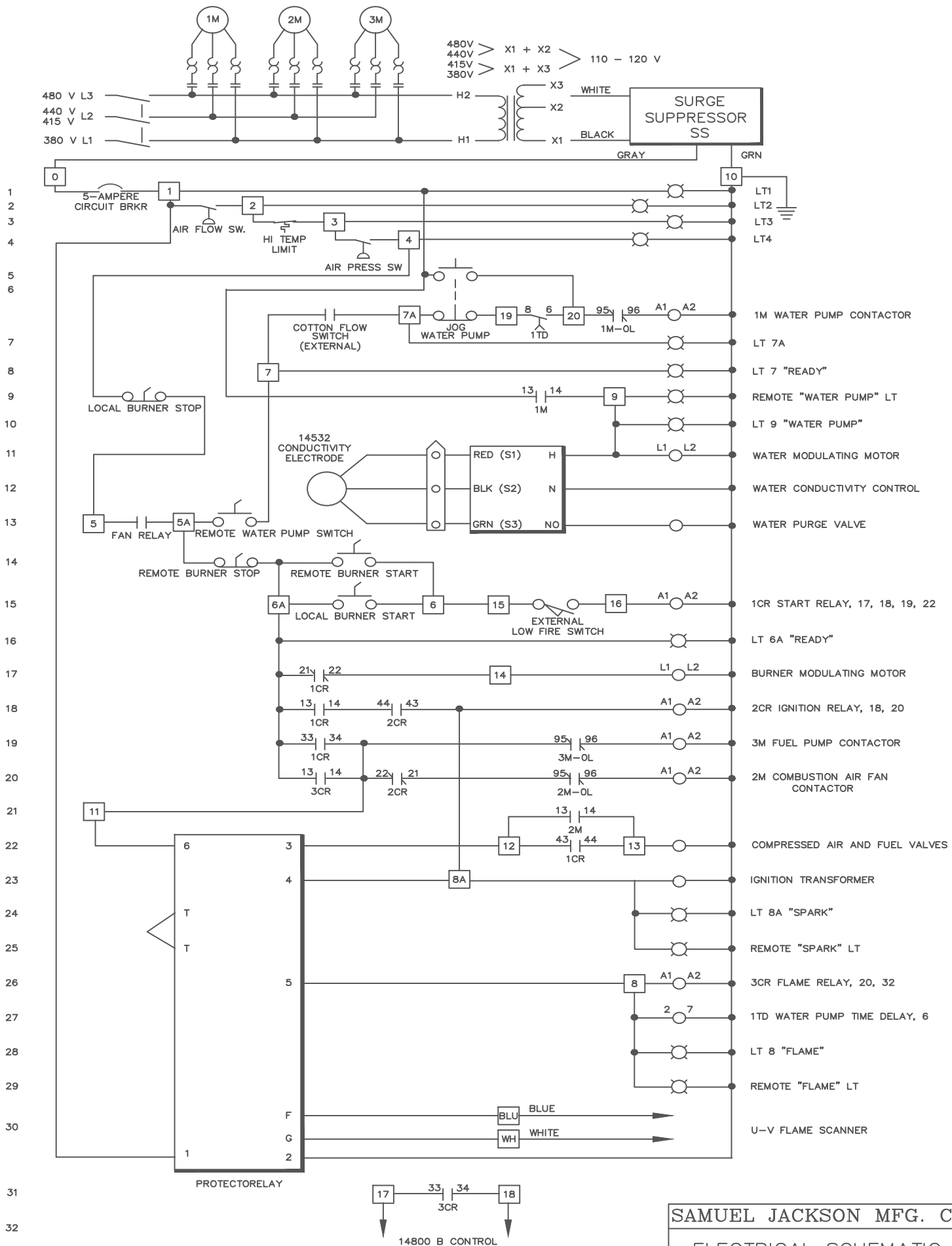
REF: 14800B

DWN.
BY G.F.E

DRAWING NO.

DATE 11-88

14-2525



SAMUEL JACKSON MFG. CO.	
ELECTRICAL SCHEMATIC HU-60-1105B	
DWN BY: S.K.	DRAWING NO: 14-2470A
DATE: 4-14-89	

WITH 16023 OMRON TIME DELAY RELAY