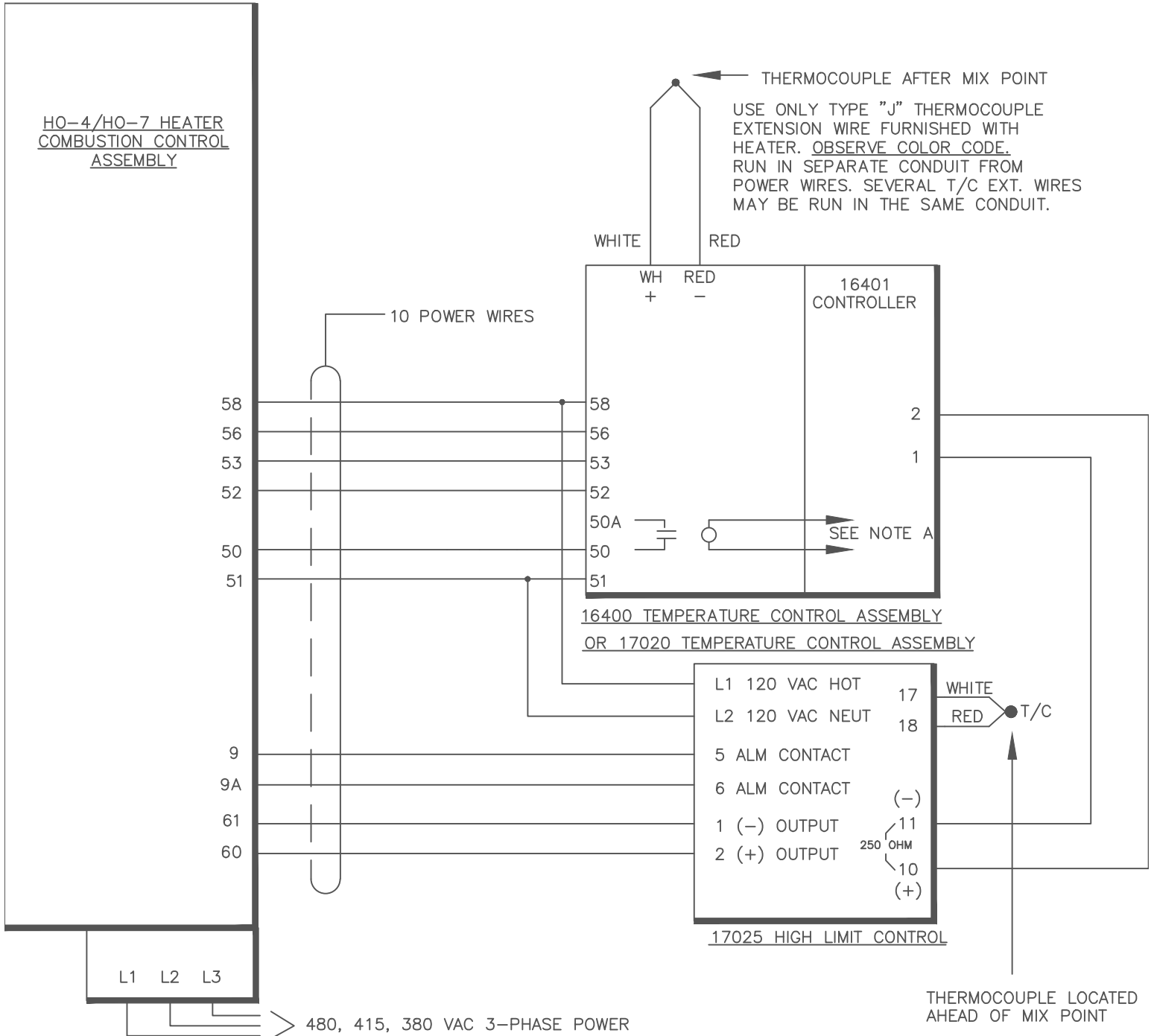


EXTERNAL ELECTRICAL CONNECTIONS  
FOR HO-7-1114A/HO-4-1118  
OIL-FIRED HEATERS  
WITH MODULATING HIGH TEMP LIMIT

3622  
8-90



NOTE A: ELECTRICIAN IS RESPONSIBLE FOR INSTALLING A NORMALLY OPEN INTERLOCK ACROSS TERMINALS 50 & 50A OF THE REMOTE CONTROL. THE 16400 REMOTE INCLUDES A FAN RELAY FOR THIS PURPOSE. VERIFY ITS COIL VOLTAGE. THE ELECTRICIAN MUST SUPPLY THE INTERLOCKING DEVICE IF THE 17020 REMOTE IS USED.

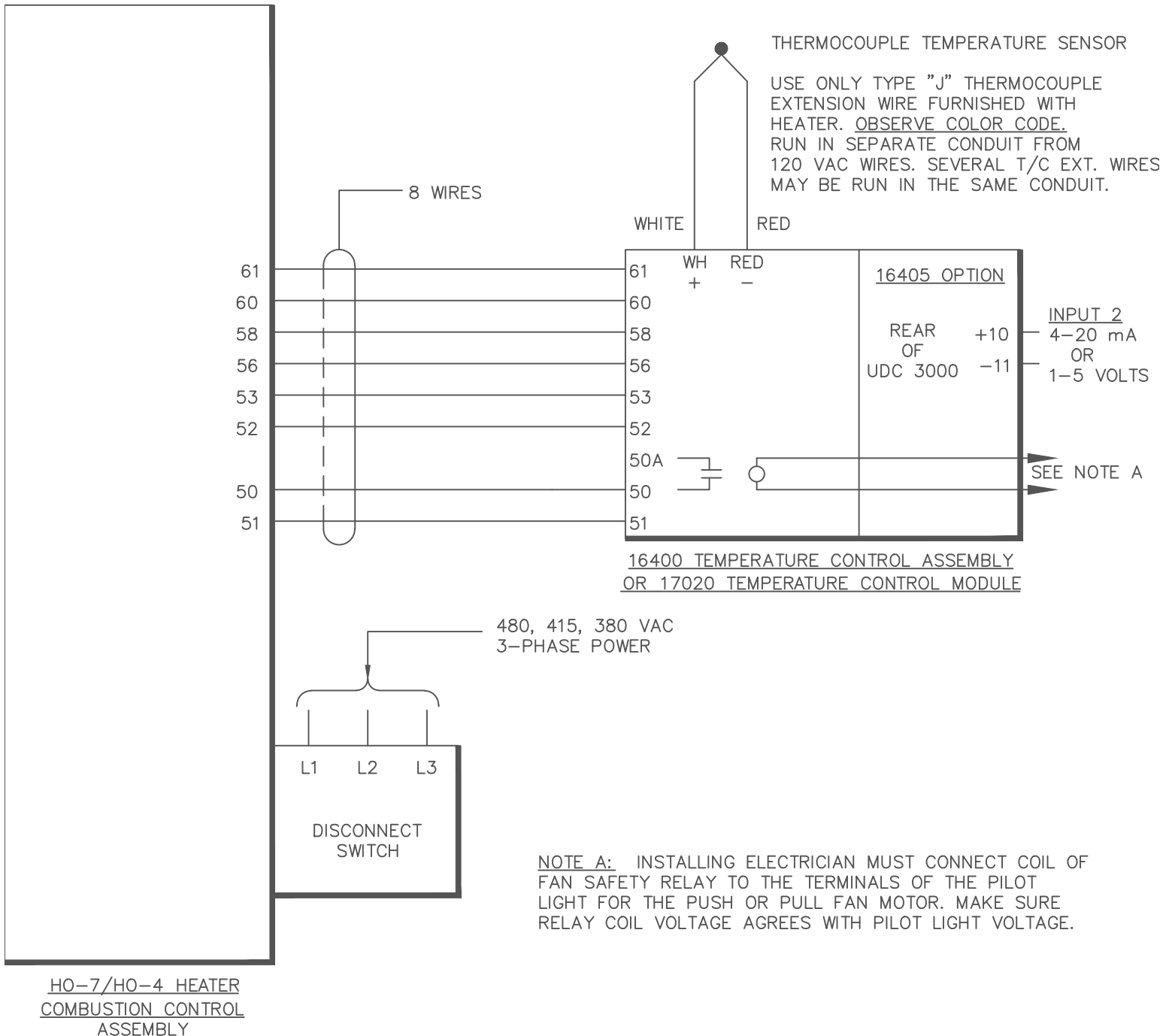
# EXTERNAL ELECTRICAL CONNECTIONS

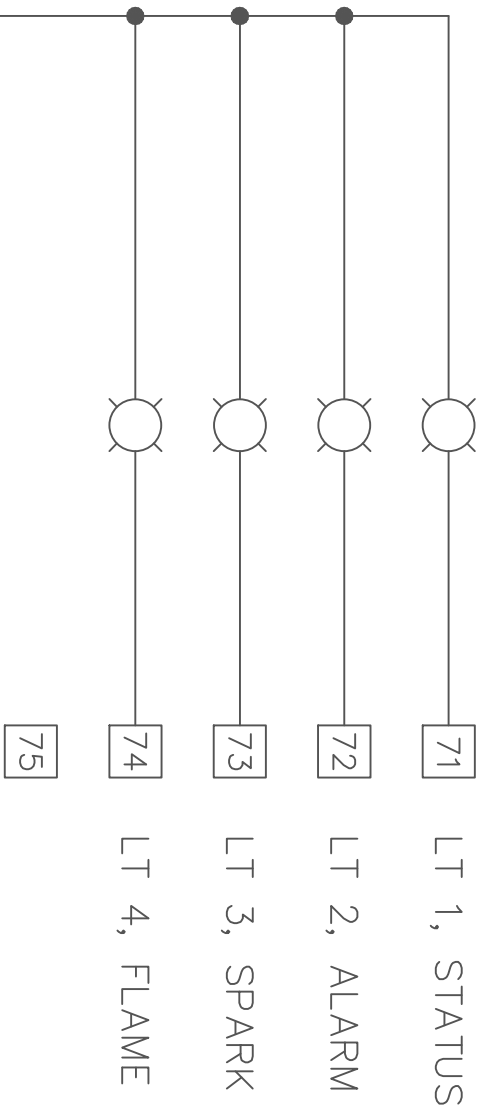
HO-7-1114A/HO-4-1118

3621

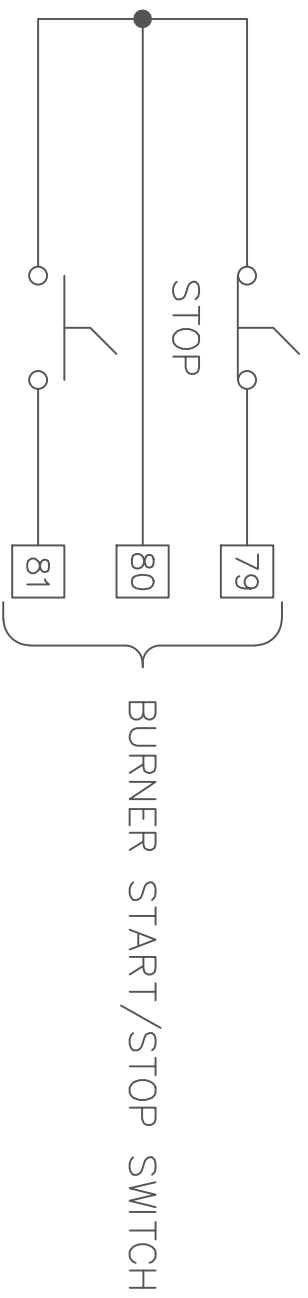
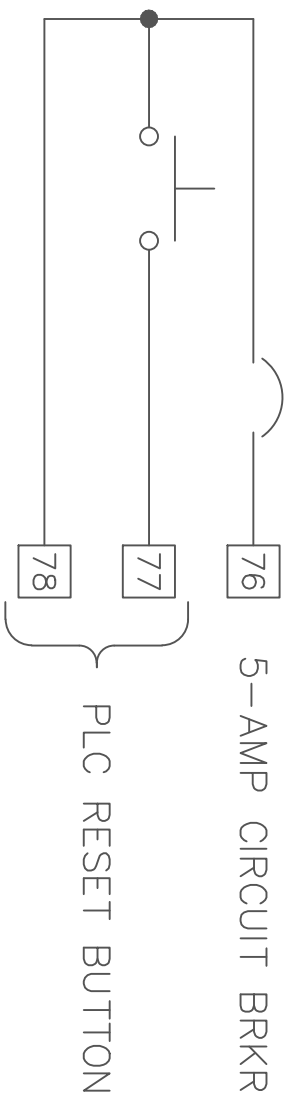
11-88

## OIL-FIRED HEATERS

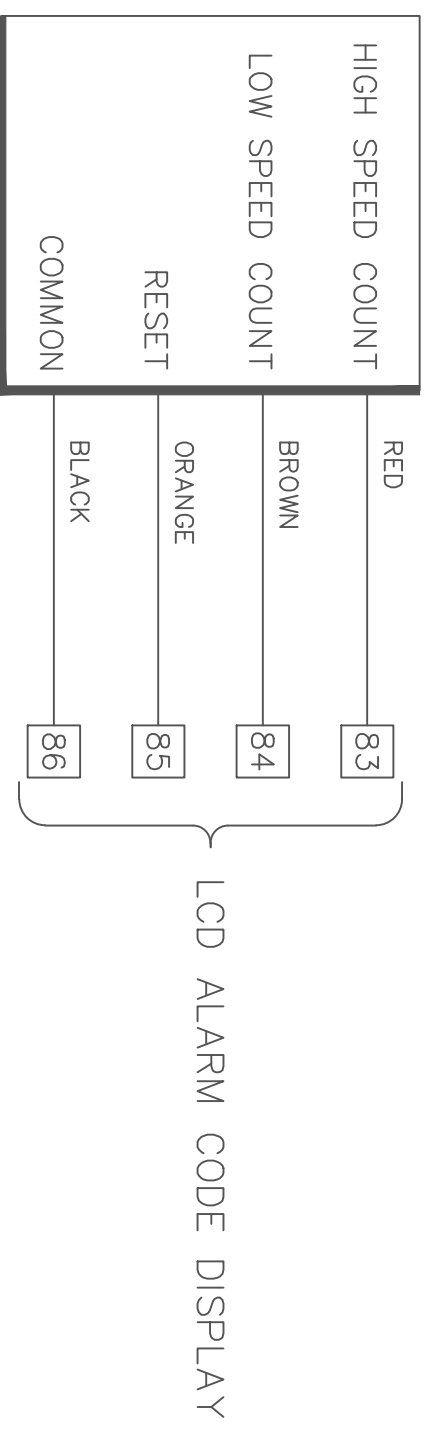


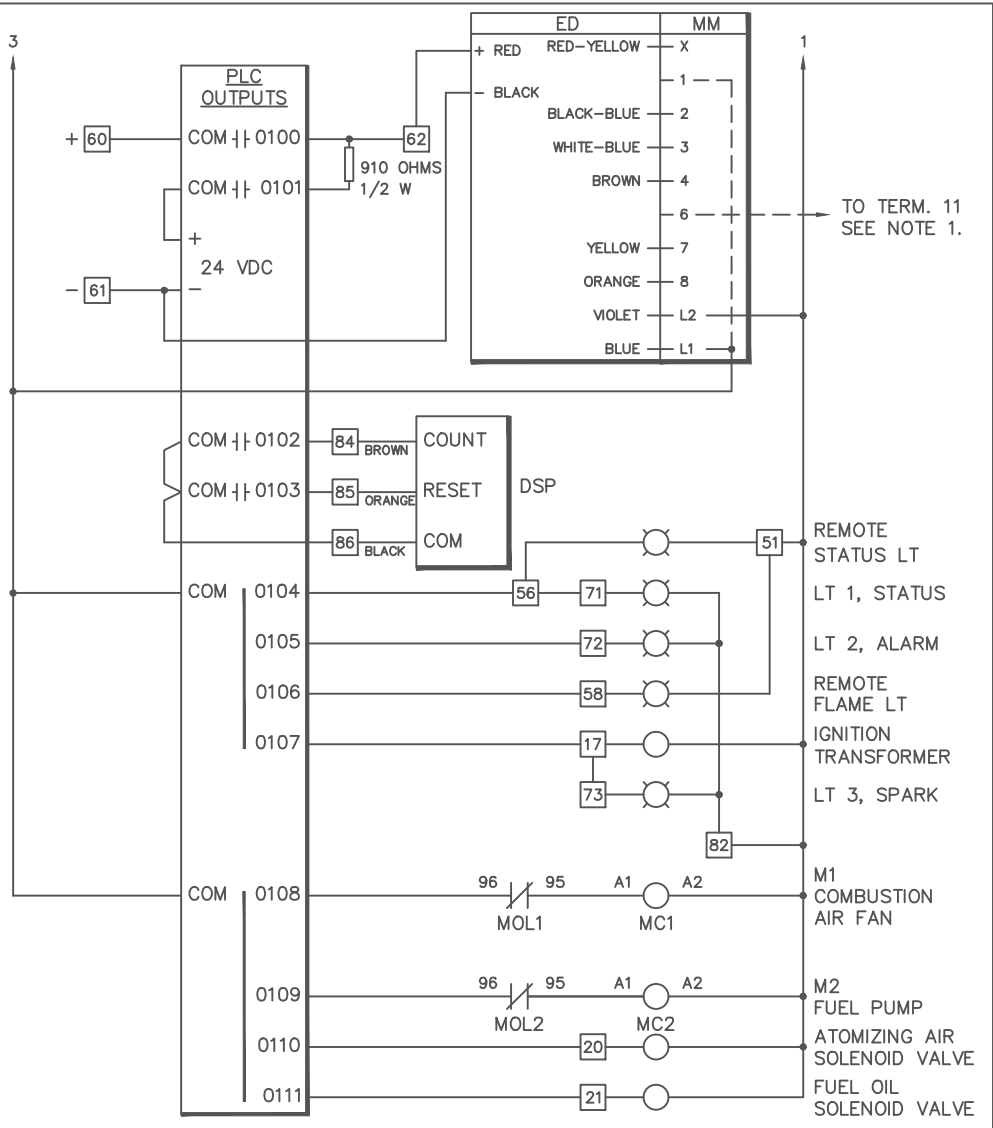
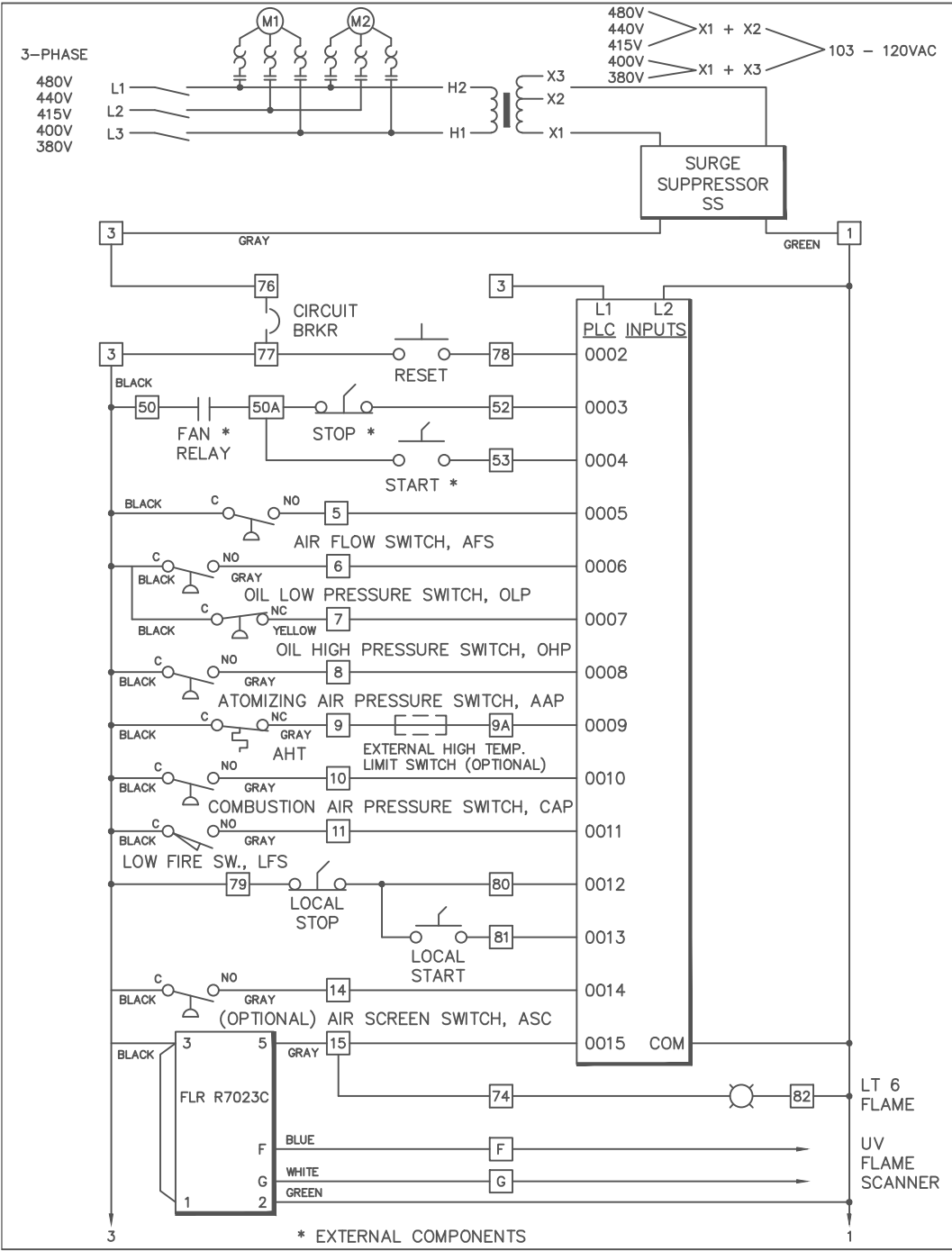


SAMUEL JACKSON MFG. CO.	
ELECTRICAL SCHEMATIC FOR LOCAL PANEL ASSY.	
REF: 1114A	
DWN. BY G.F.E.	DRAWING NO. 14-2528
DATE 11-88	



120 VAC NEUTRAL

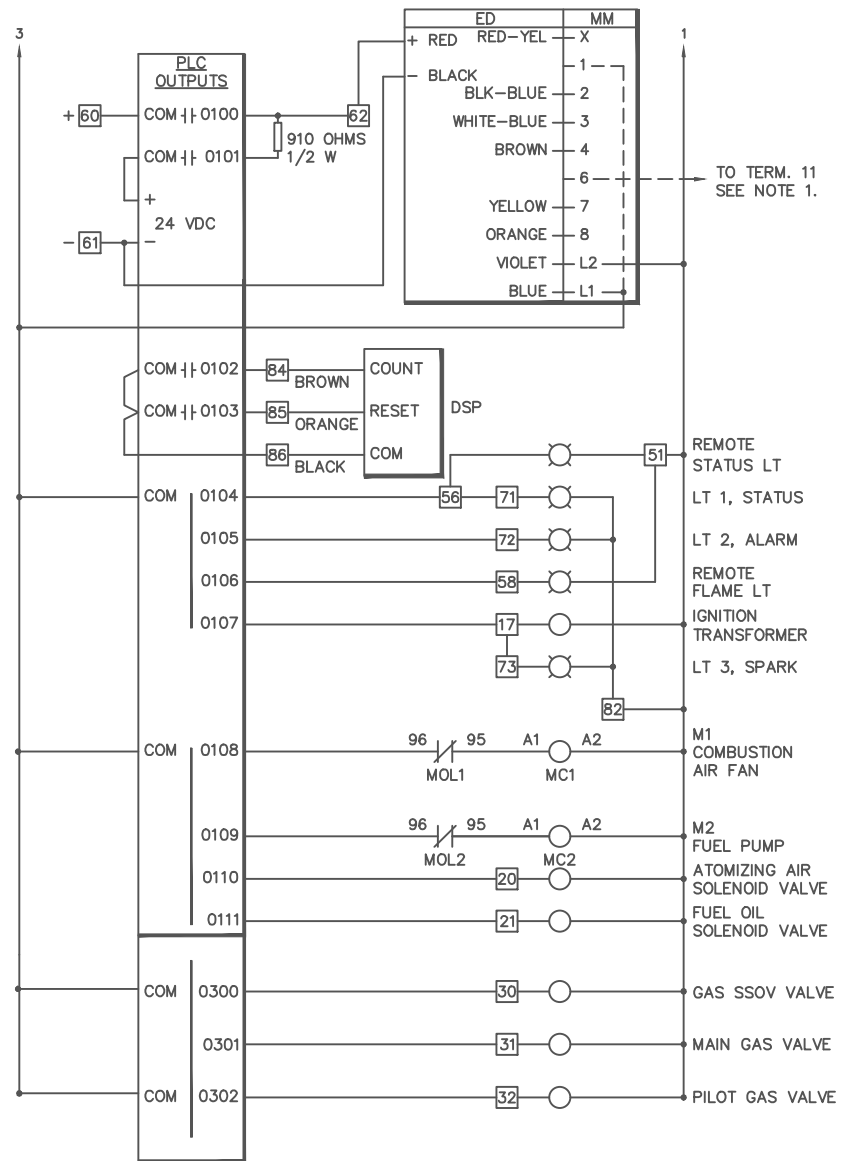
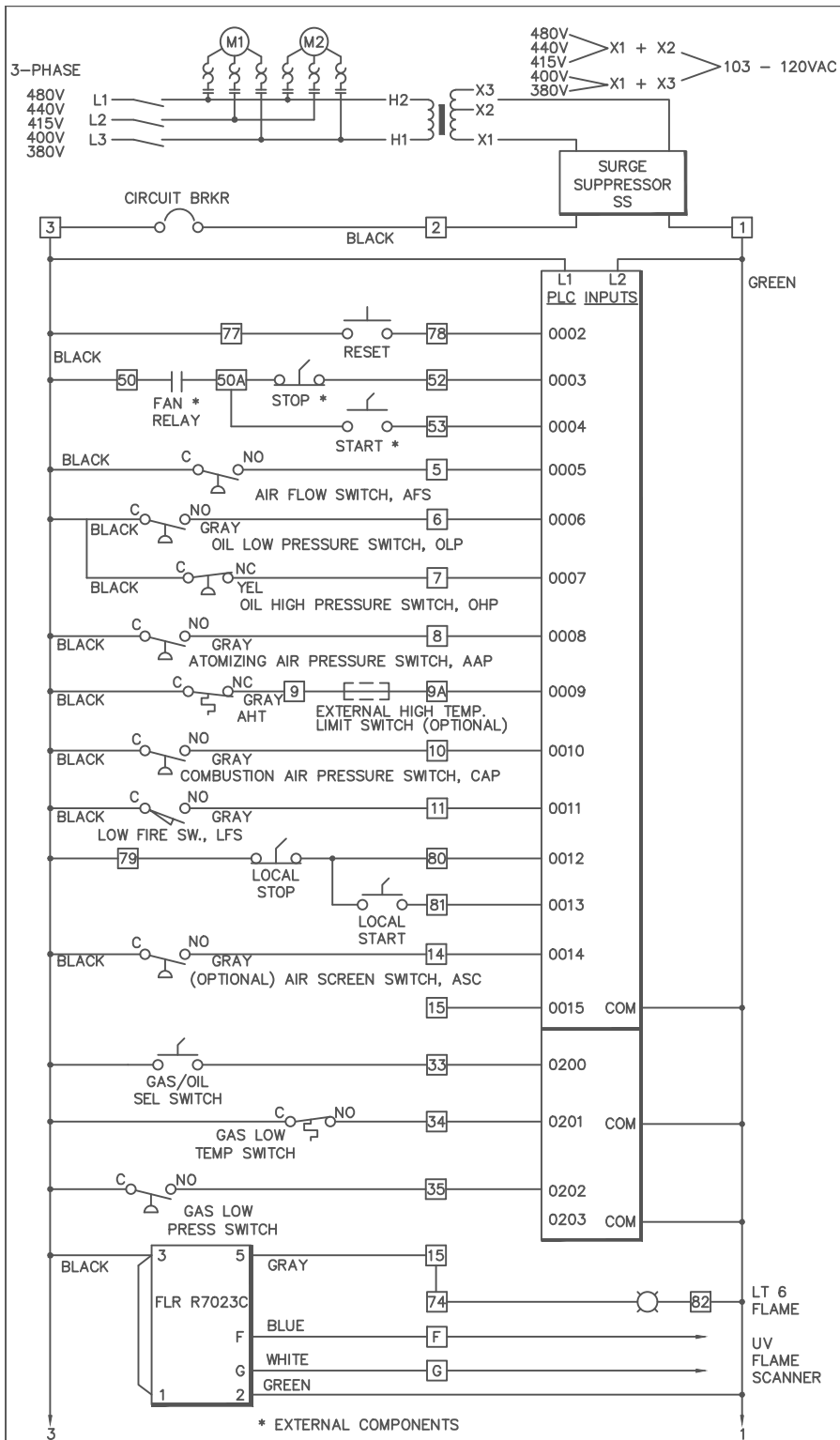




NOTE 1: ONLY FOR SERIAL NUMBERS 5200 AND 5201 WITHOUT SEPARATE LOW FIRE SWITCH. LFS.

SAMUEL JACKSON MFG. CO.		11-88	3631
ELECTRICAL SCHEMATIC FOR			
HO-7-1114A/HO-4-1118			
OIL-FIRED HEATERS			

DECAL PART 10-16842



NOTE 1: ONLY FOR SERIAL NUMBERS 5200 AND 5201 WITHOUT SEPARATE LOW FIRE SWITCH. LFS.

SAMUEL JACKSON MFG. CO.  
ELECTRICAL SCHEMATIC FOR  
HO-7-1114A/HO-4-1118  
WITH DUAL FUEL OPTION

9190  
3640