

EXTERNAL ELECTRICAL CONNECTIONS

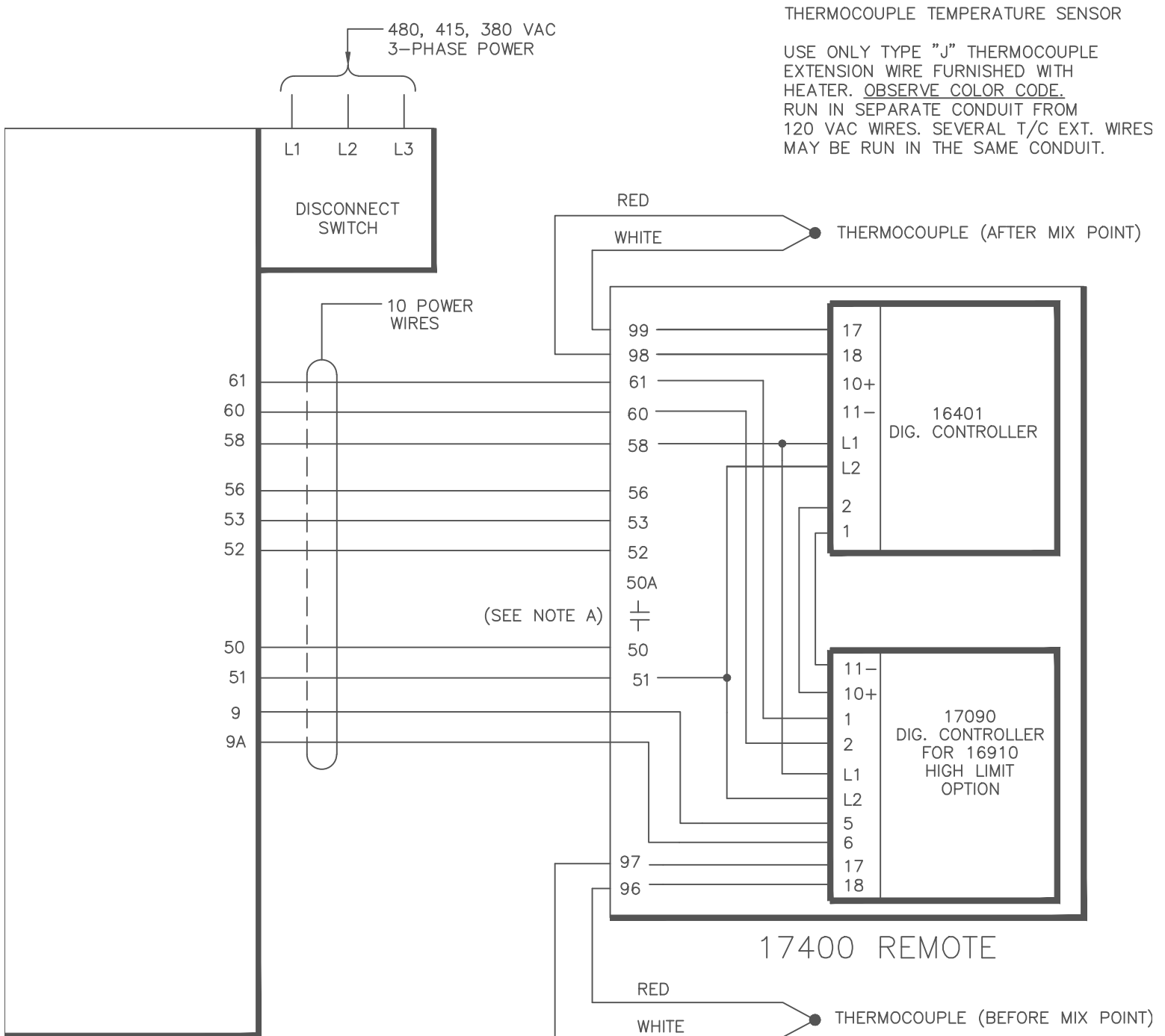
HO-7-1114B/HO-4-1118

3622A

12-90

OIL-FIRED HEATERS WITH 17400 CONTROL

AND 16910 MODULATING HIGH LIMIT



THERMOCOUPLE TEMPERATURE SENSOR

USE ONLY TYPE "J" THERMOCOUPLE EXTENSION WIRE FURNISHED WITH HEATER. OBSERVE COLOR CODE. RUN IN SEPARATE CONDUIT FROM 120 VAC WIRES. SEVERAL T/C EXT. WIRES MAY BE RUN IN THE SAME CONDUIT.

HO-7/HO-4 HEATER
COMBUSTION CONTROL
ASSEMBLY

NOTE A: INSTALLING ELECTRICIAN MUST CONNECT COIL OF FAN SAFETY RELAY TO THE TERMINALS OF THE PILOT LIGHT FOR THE PUSH OR PULL FAN MOTOR. MAKE SURE RELAY COIL VOLTAGE AGREES WITH PILOT LIGHT VOLTAGE.

EXTERNAL ELECTRICAL CONNECTIONS

HO-7-1114A/HO-4-1118

3621A

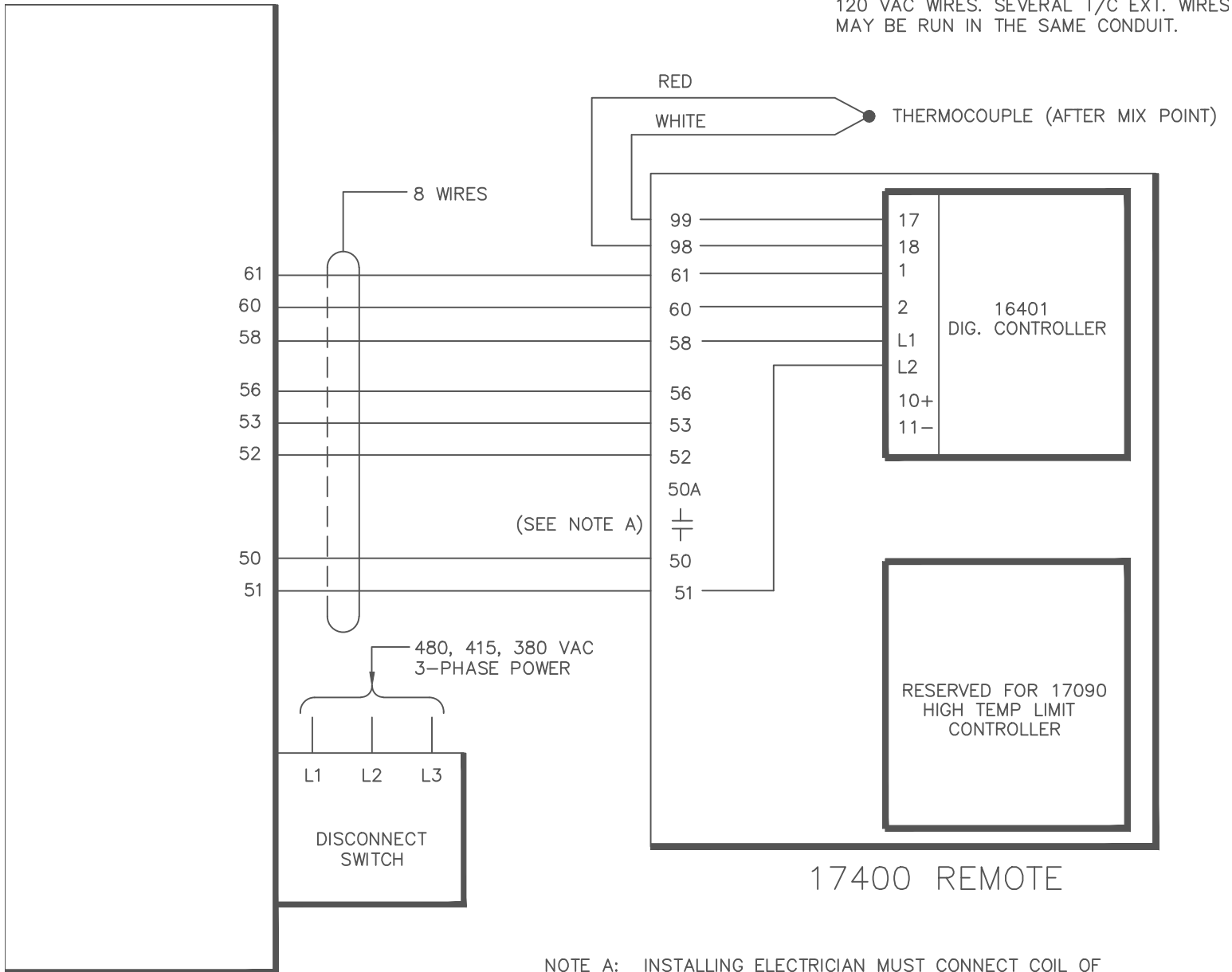
OIL-FIRED HEATERS

12-90

WITH 17400 CONTROL

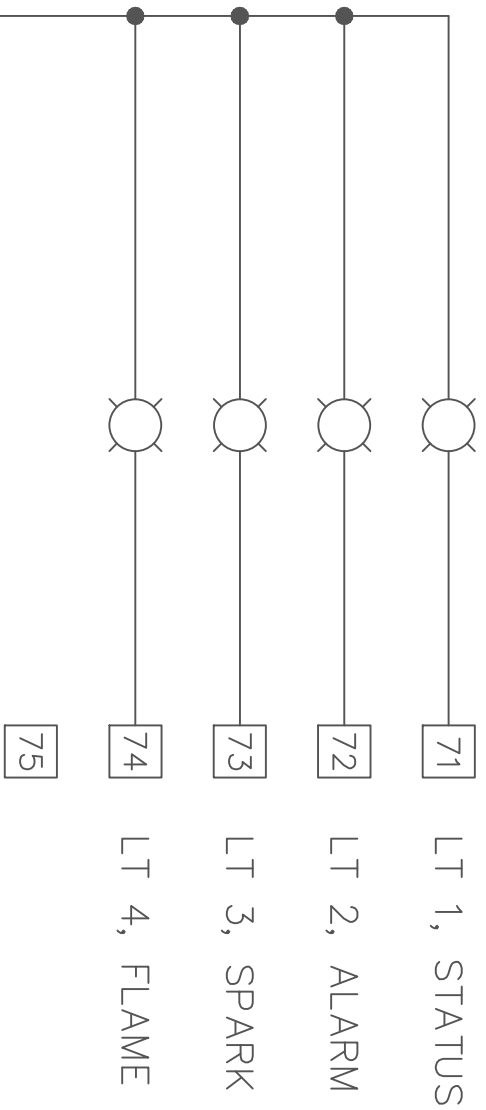
THERMOCOUPLE TEMPERATURE SENSOR

USE ONLY TYPE "J" THERMOCOUPLE
EXTENSION WIRE FURNISHED WITH
HEATER. OBSERVE COLOR CODE.
RUN IN SEPARATE CONDUIT FROM
120 VAC WIRES. SEVERAL T/C EXT. WIRES
MAY BE RUN IN THE SAME CONDUIT.

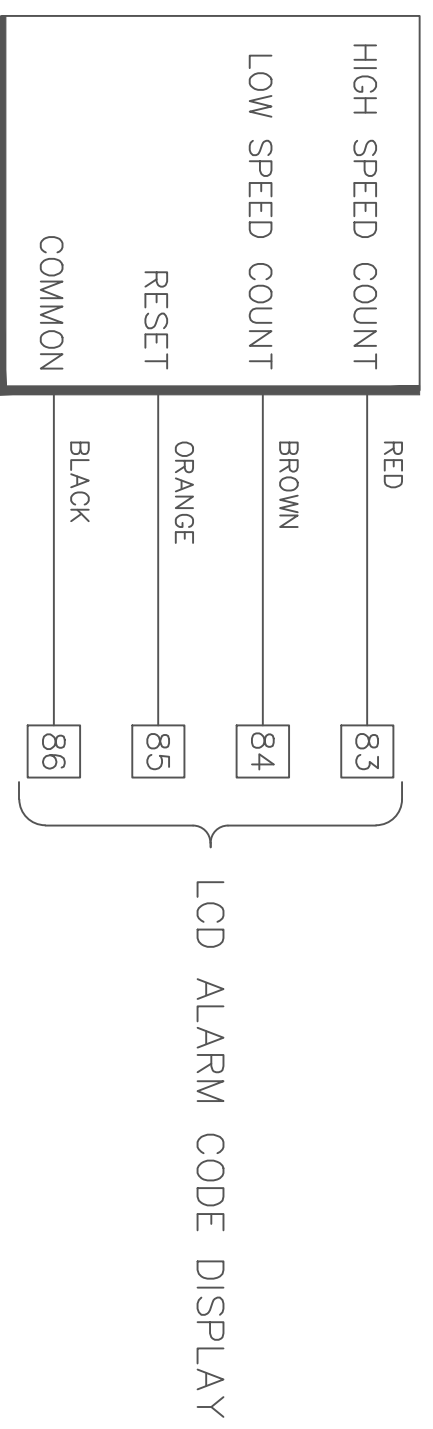
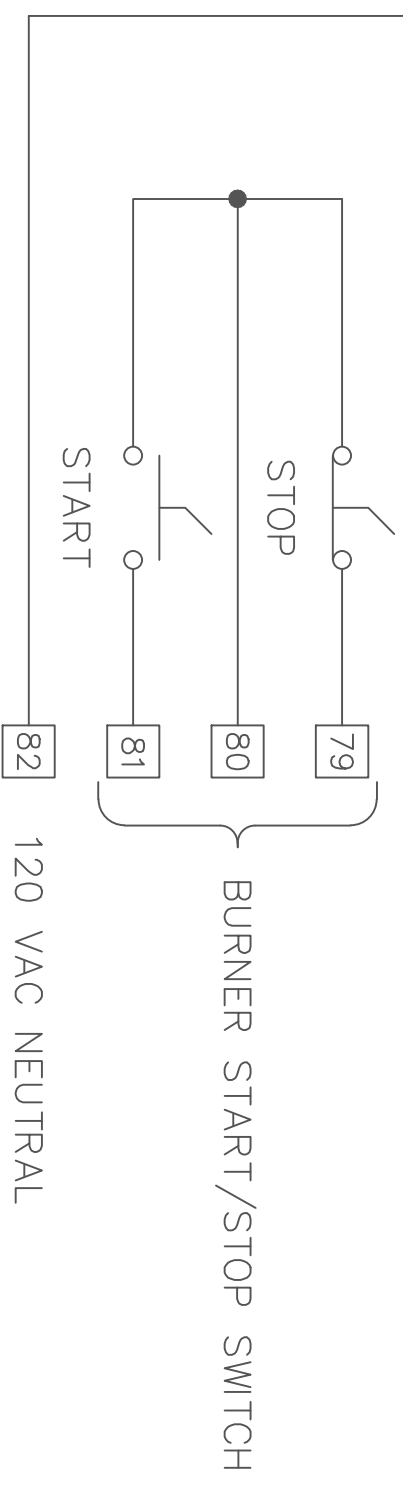
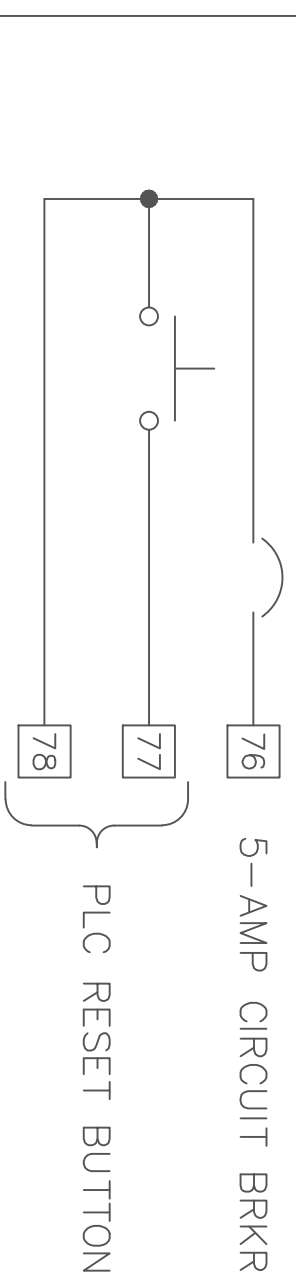


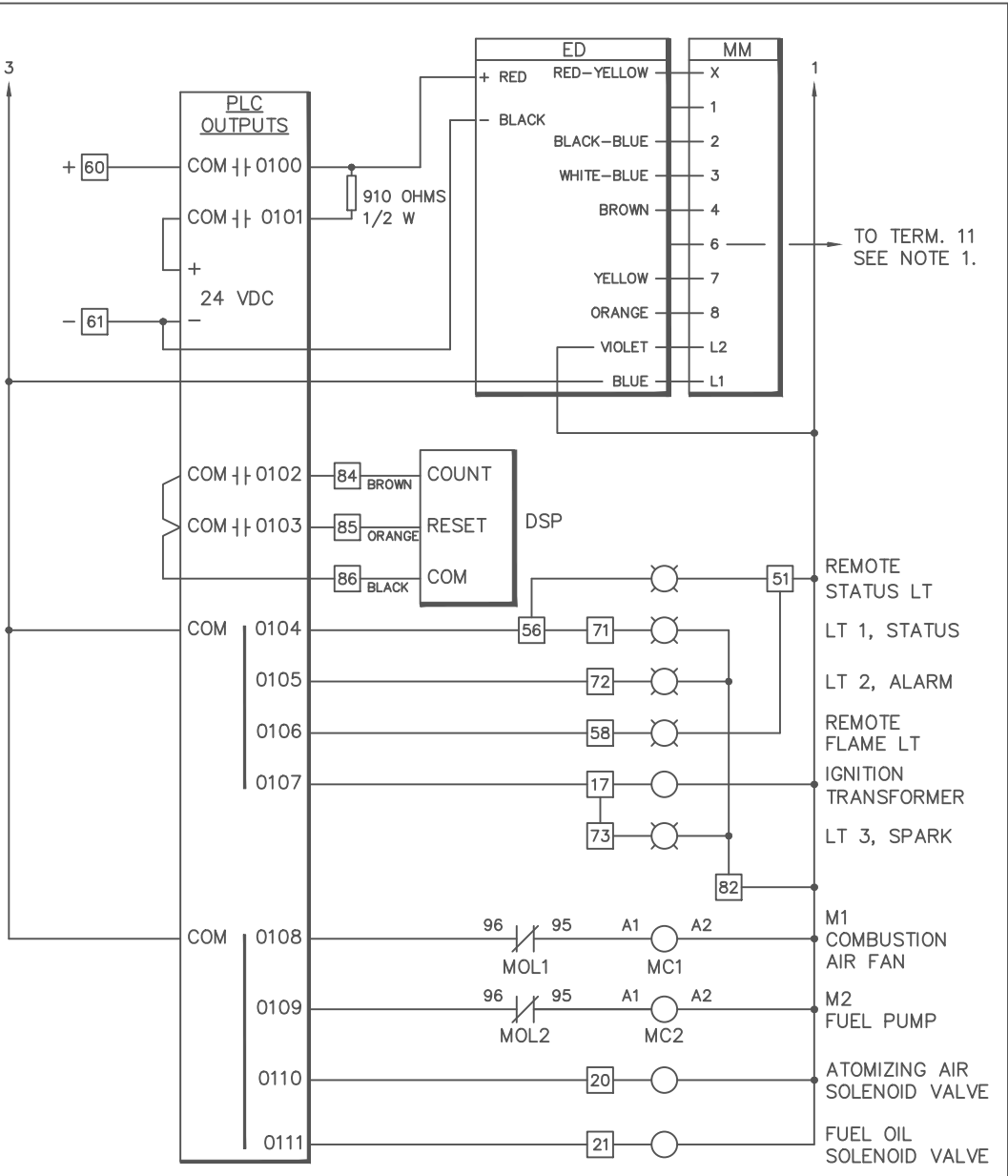
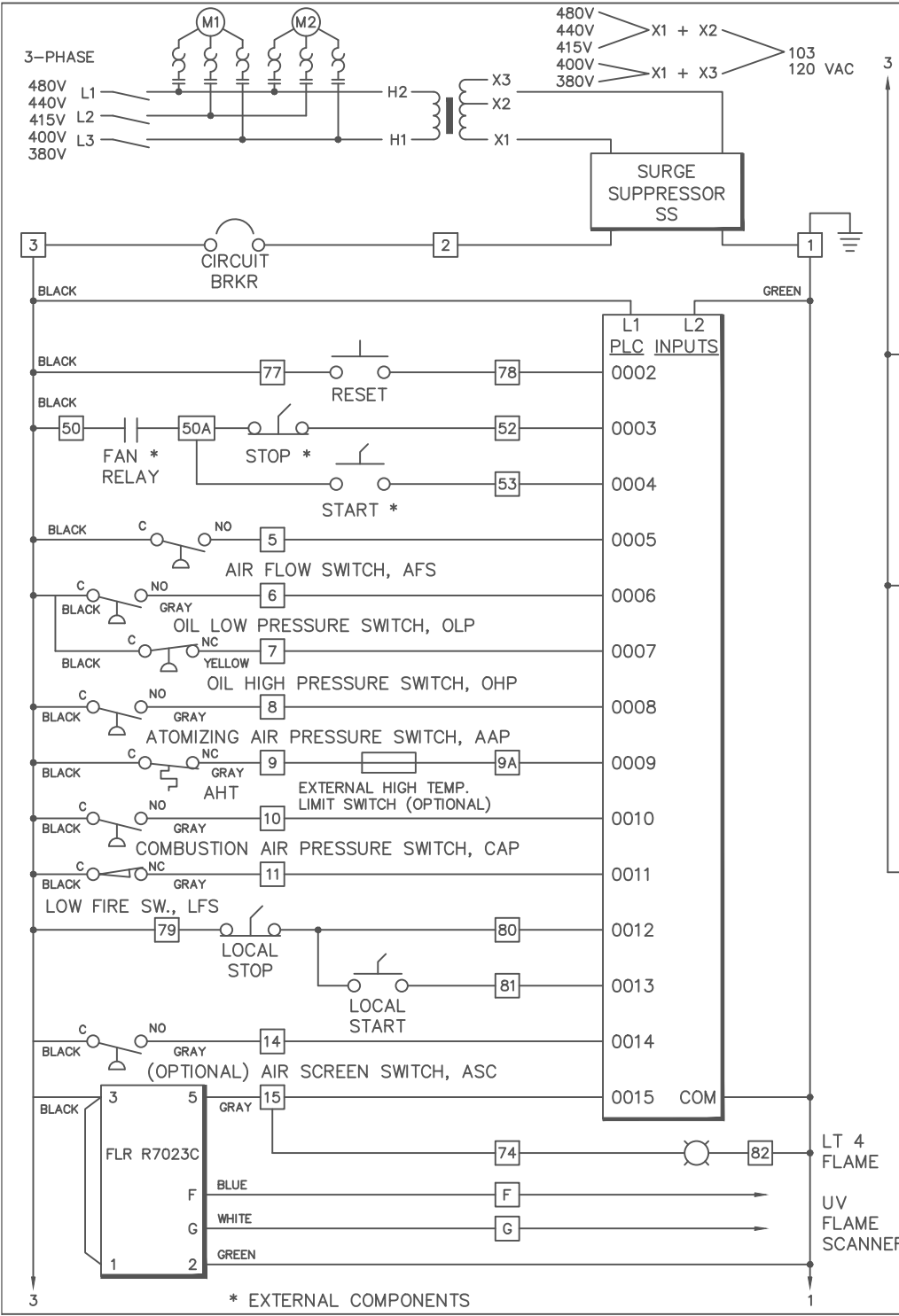
HO-7/HO-4 HEATER
COMBUSTION CONTROL
ASSEMBLY

NOTE A: INSTALLING ELECTRICIAN MUST CONNECT COIL OF FAN SAFETY RELAY TO THE TERMINALS OF THE PILOT LIGHT FOR THE PUSH OR PULL FAN MOTOR. MAKE SURE RELAY COIL VOLTAGE AGREES WITH PILOT LIGHT VOLTAGE.



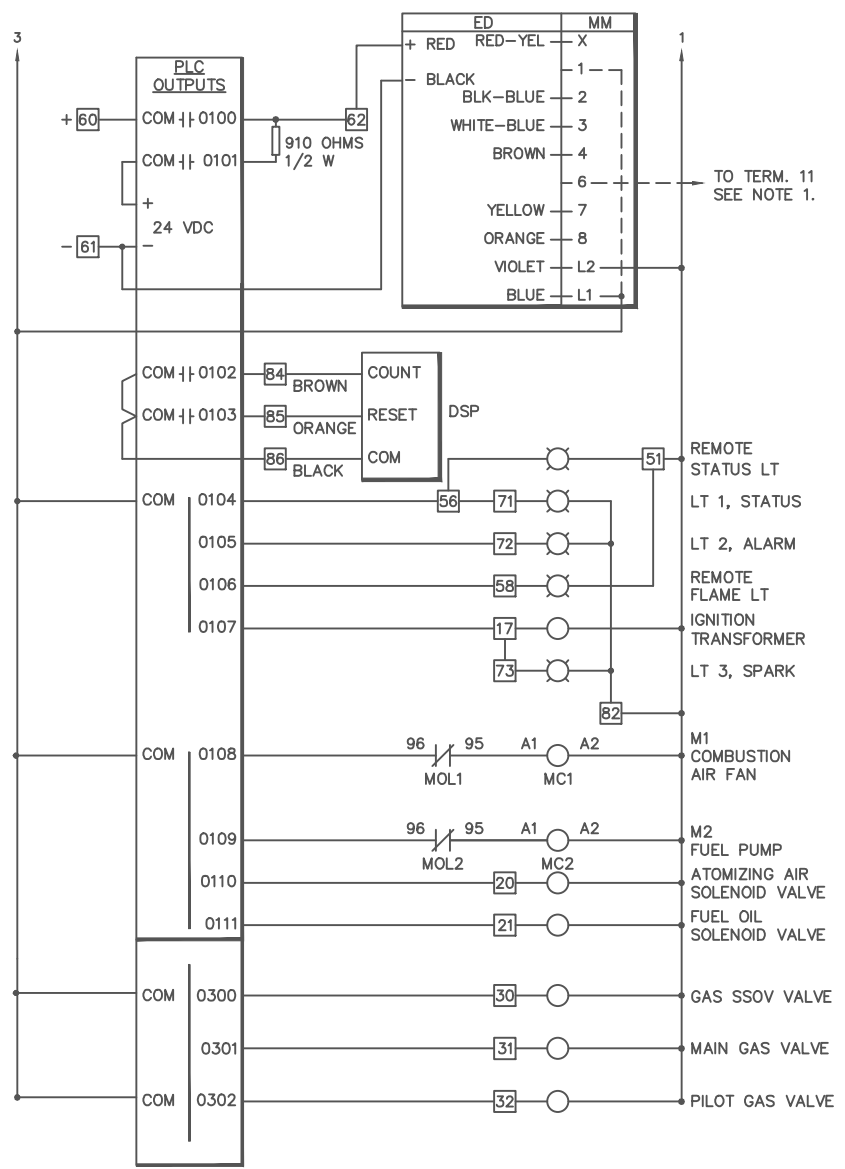
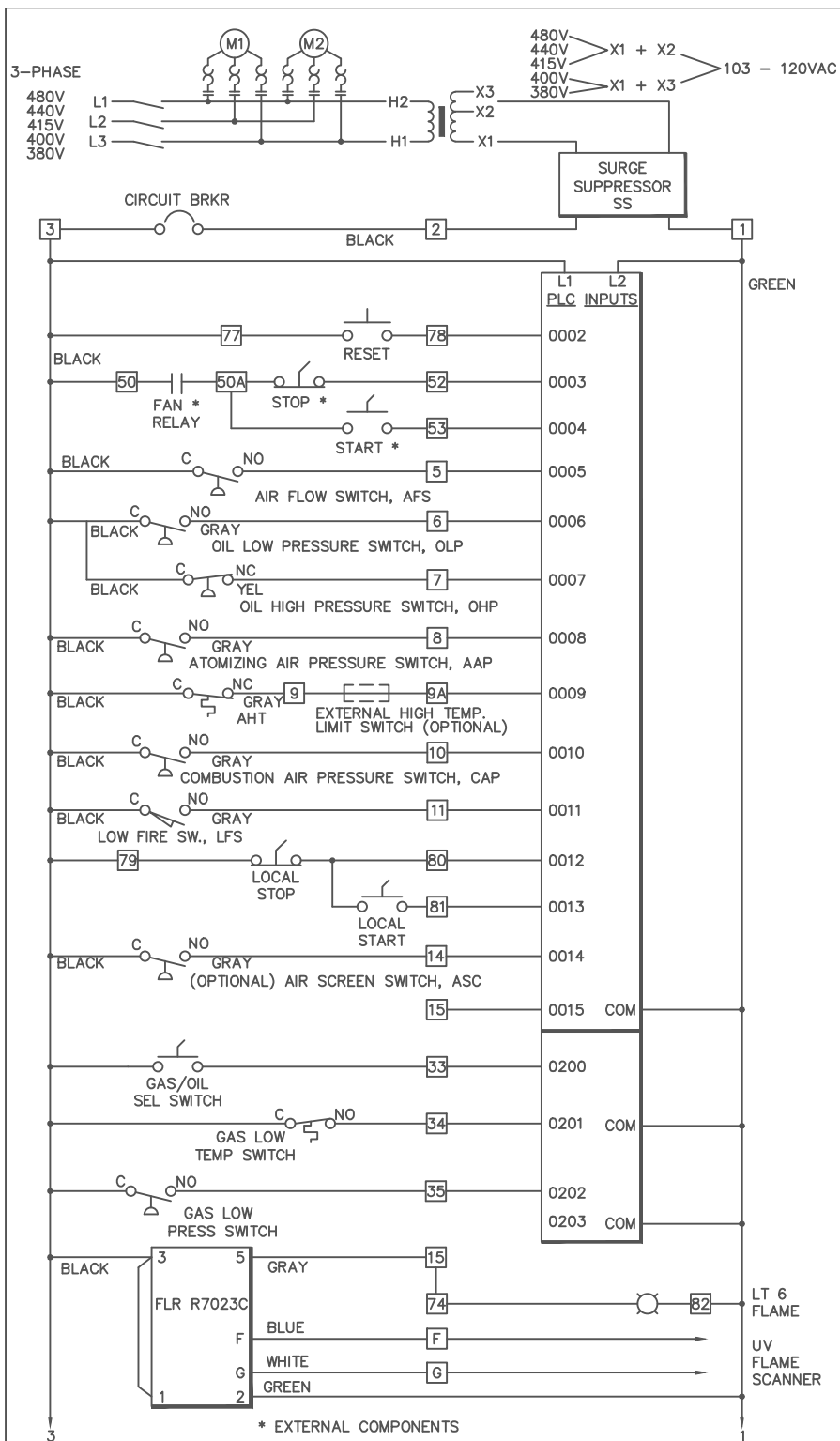
SAMUEL JACKSON MFG. CO.	
ELECTRICAL SCHEMATIC FOR LOCAL PANEL ASSY.	
REF: 1114A	
DWN. BY G.F.E.	DRAWING NO. 14-2528
DATE 11-88	





NOTE 1: ONLY FOR SERIAL NUMBERS 5200 AND 5201 WITHOUT SEPARATE LOW FIRE SWITCH. LFS.
NOTE 2: FOR SERIAL NO. 5676 AND BELOW LFS IS NORMALLY OPEN.

SAMUEL JACKSON, INC.	
ELECTRICAL SCHEMATIC FOR HO-7-1114B/HO-4-1118 OIL-FIRED HEATERS	
9-96	3631A



NOTE 1: ONLY FOR SERIAL NUMBERS 5200 AND 5201 WITHOUT SEPARATE LOW FIRE SWITCH. LFS.

SAMUEL JACKSON MFG. CO.
ELECTRICAL SCHEMATIC FOR
HO-7-1114A/HO-4-1118
WITH DUAL FUEL OPTION

3640A
9-90

DECAL PART 10-17268