

# EXTERNAL ELECTRICAL CONNECTIONS

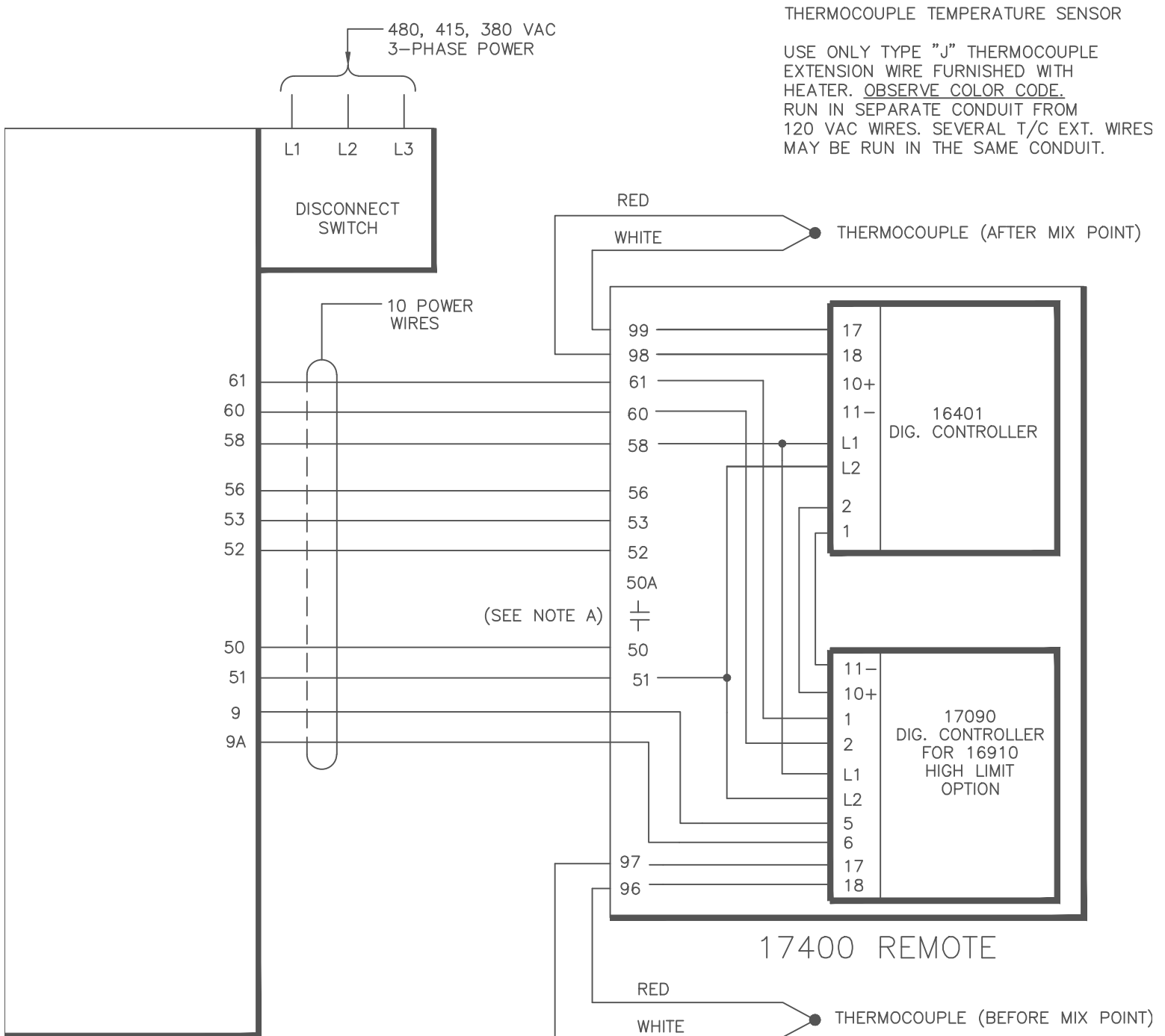
## HO-7-1114B/HO-4-1118

3622A

12-90

### OIL-FIRED HEATERS WITH 17400 CONTROL

### AND 16910 MODULATING HIGH LIMIT



HO-7/HO-4 HEATER  
COMBUSTION CONTROL  
ASSEMBLY

NOTE A: INSTALLING ELECTRICIAN MUST CONNECT COIL OF FAN SAFETY RELAY TO THE TERMINALS OF THE PILOT LIGHT FOR THE PUSH OR PULL FAN MOTOR. MAKE SURE RELAY COIL VOLTAGE AGREES WITH PILOT LIGHT VOLTAGE.

# EXTERNAL ELECTRICAL CONNECTIONS

## HO-7-1114A/HO-4-1118

3621A

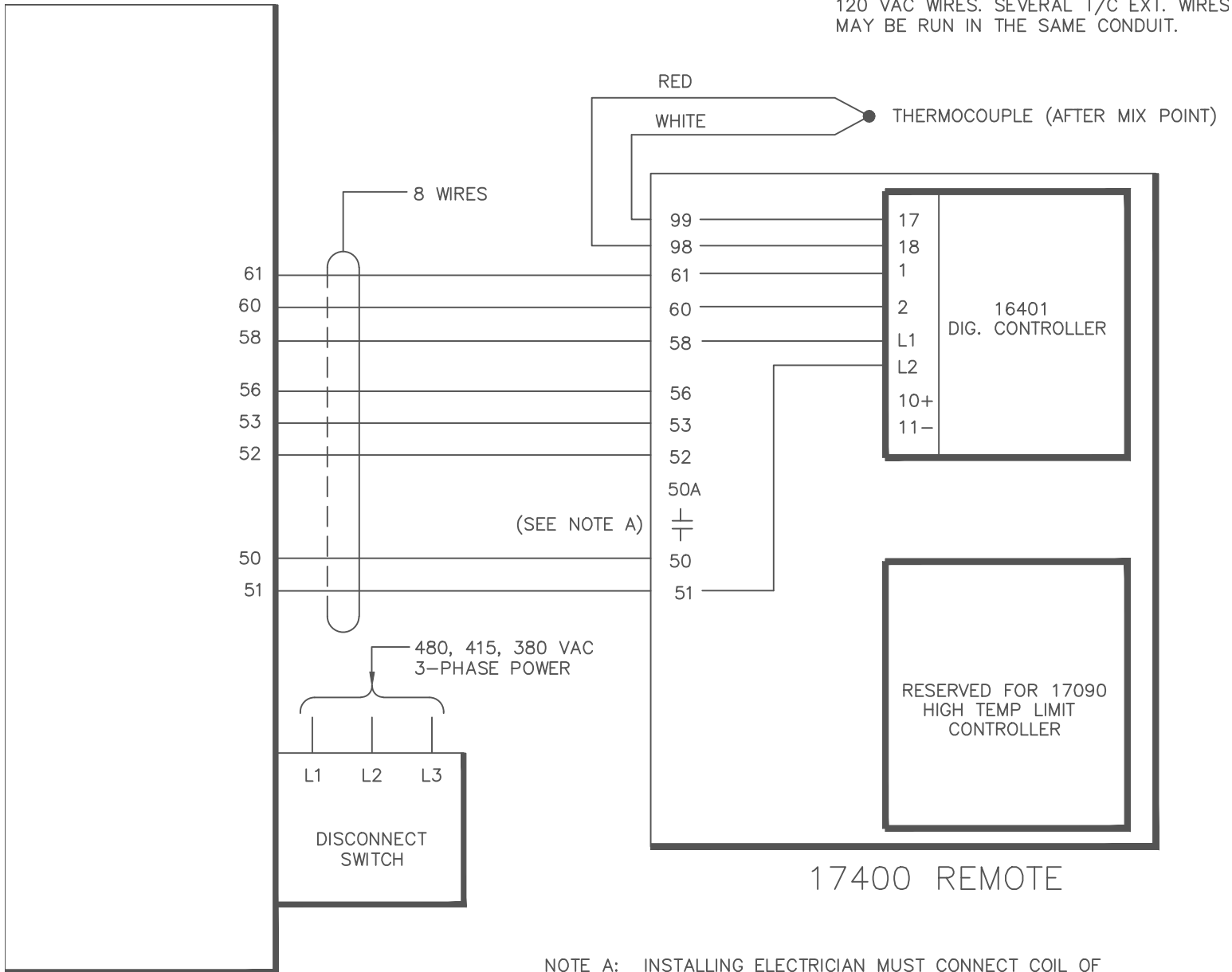
### OIL-FIRED HEATERS

12-90

### WITH 17400 CONTROL

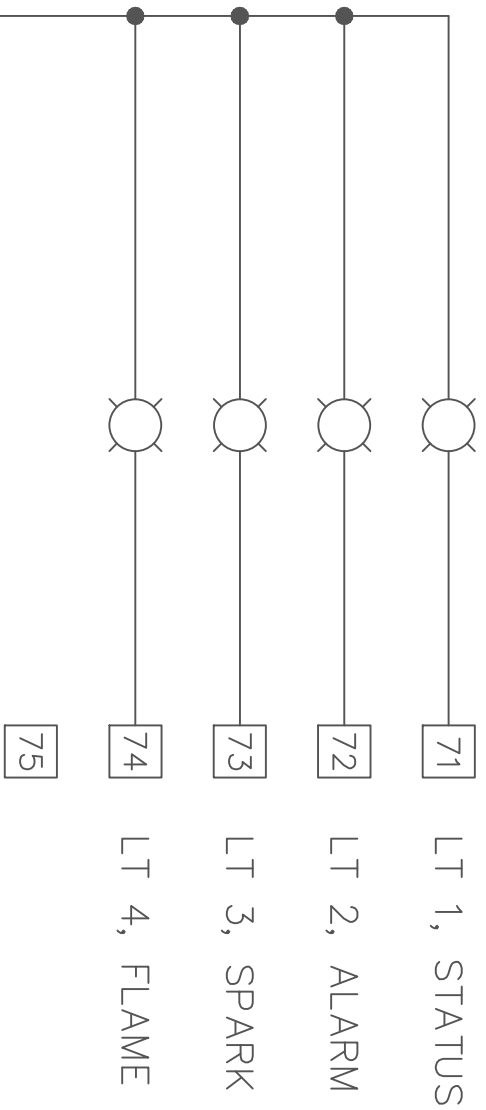
THERMOCOUPLE TEMPERATURE SENSOR

USE ONLY TYPE "J" THERMOCOUPLE  
EXTENSION WIRE FURNISHED WITH  
HEATER. OBSERVE COLOR CODE.  
RUN IN SEPARATE CONDUIT FROM  
120 VAC WIRES. SEVERAL T/C EXT. WIRES  
MAY BE RUN IN THE SAME CONDUIT.

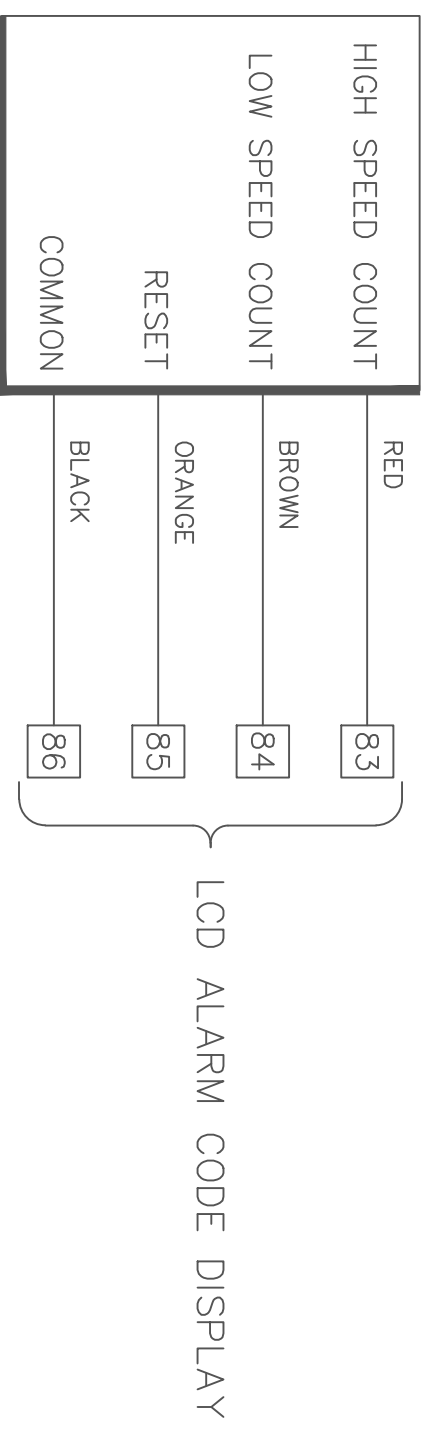
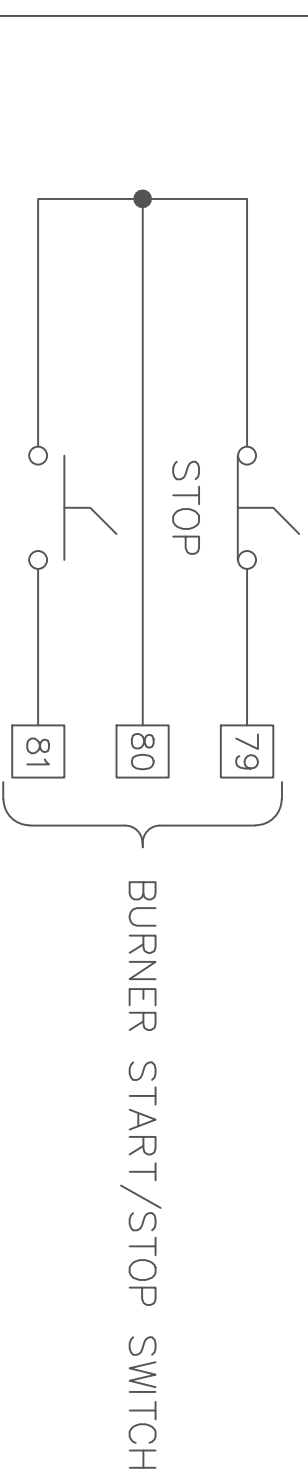
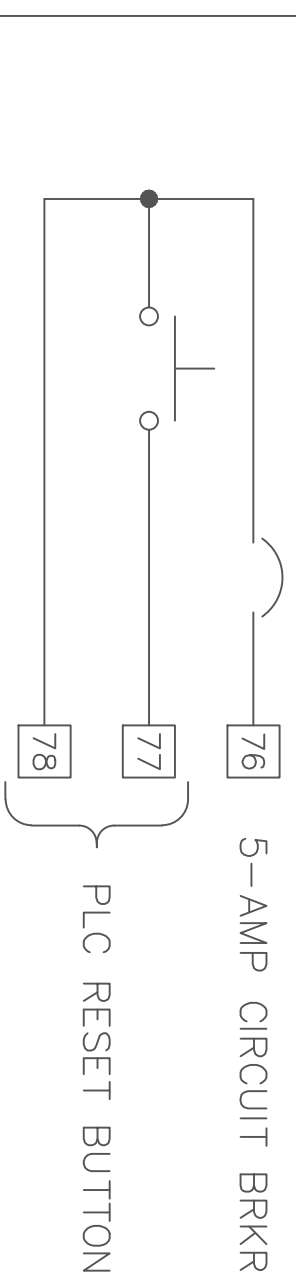


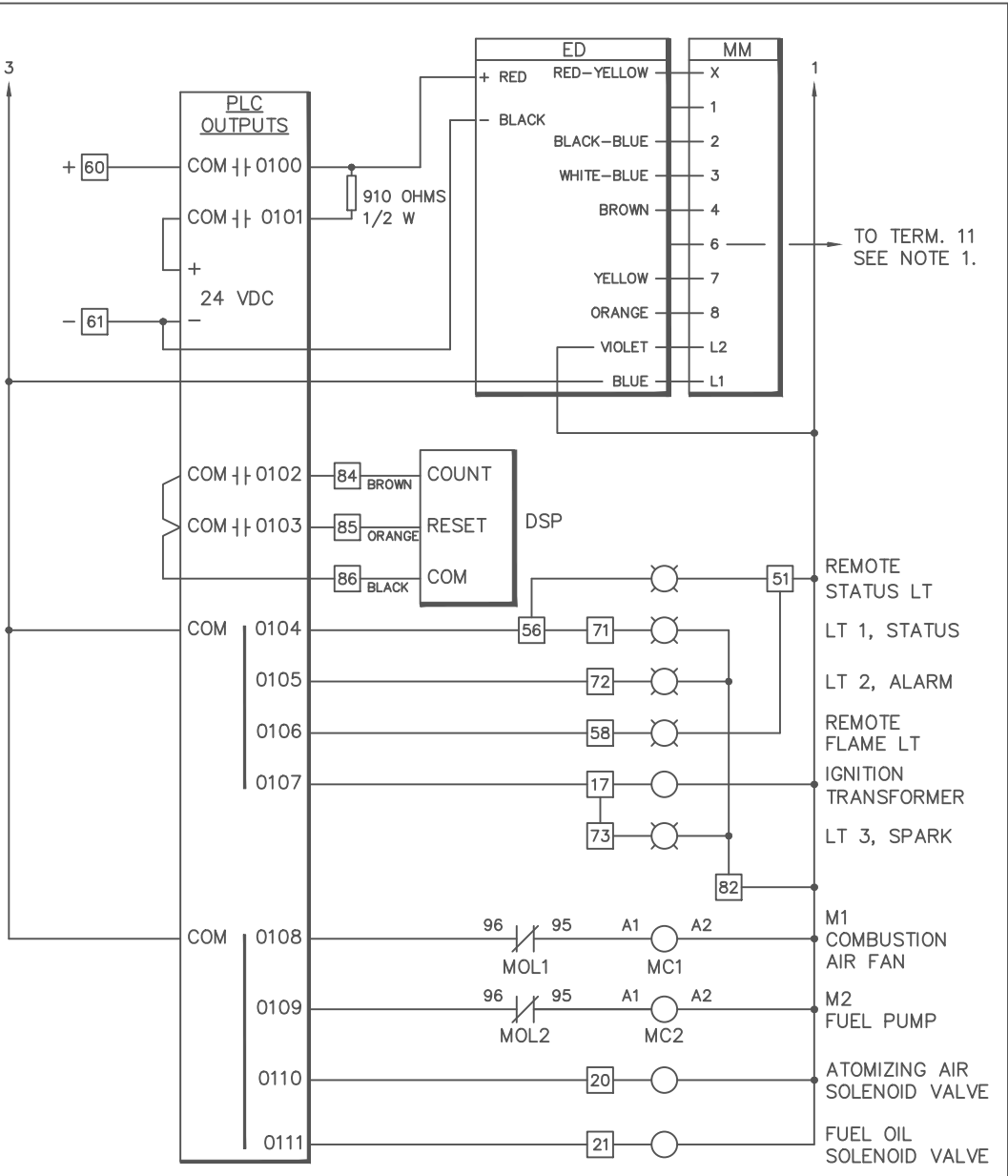
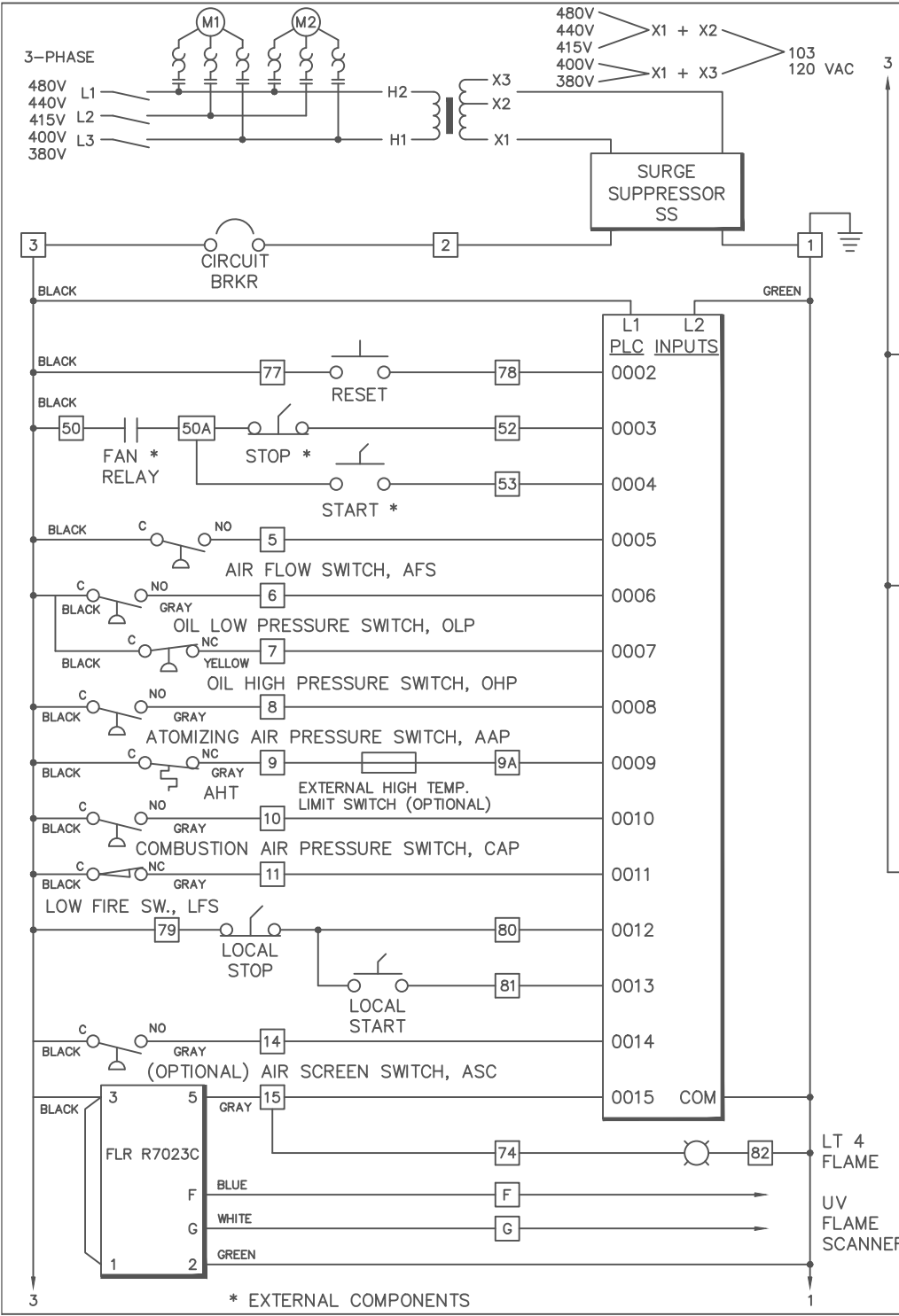
HO-7/HO-4 HEATER  
COMBUSTION CONTROL  
ASSEMBLY

NOTE A: INSTALLING ELECTRICIAN MUST CONNECT COIL OF FAN SAFETY RELAY TO THE TERMINALS OF THE PILOT LIGHT FOR THE PUSH OR PULL FAN MOTOR. MAKE SURE RELAY COIL VOLTAGE AGREES WITH PILOT LIGHT VOLTAGE.



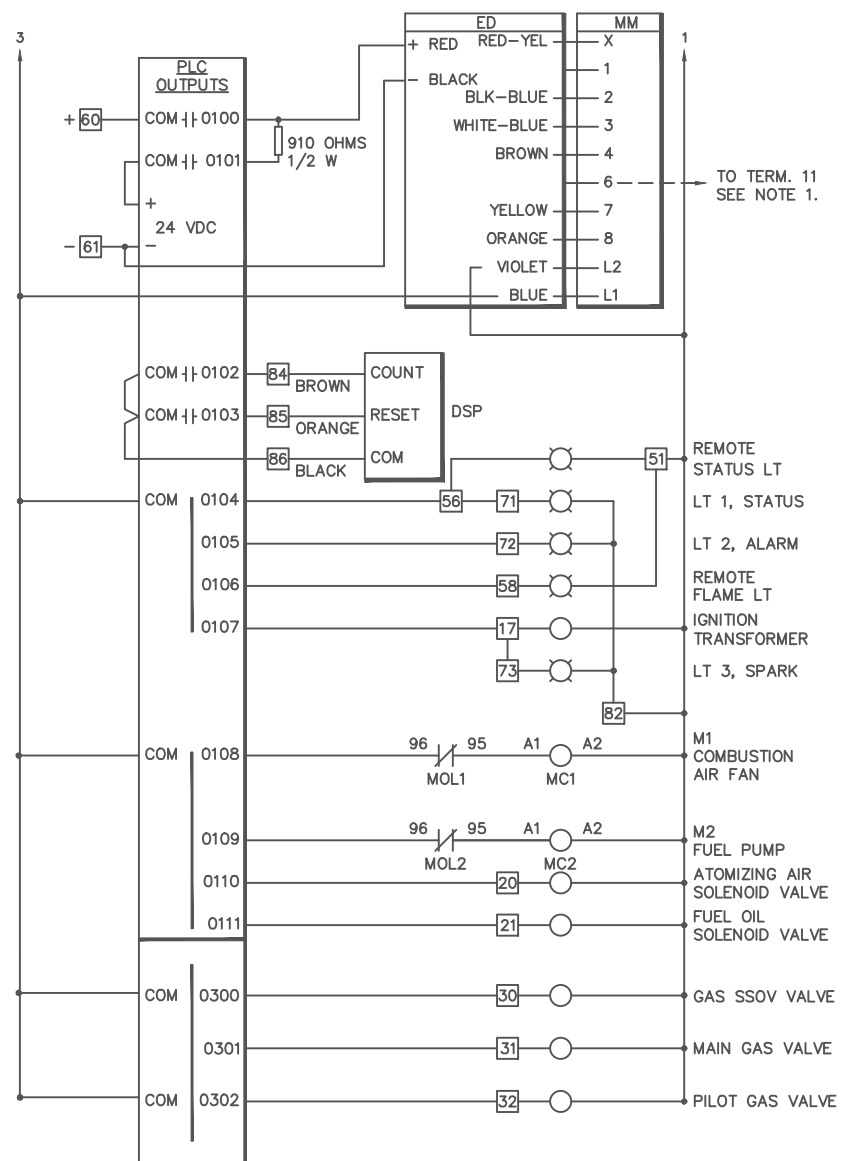
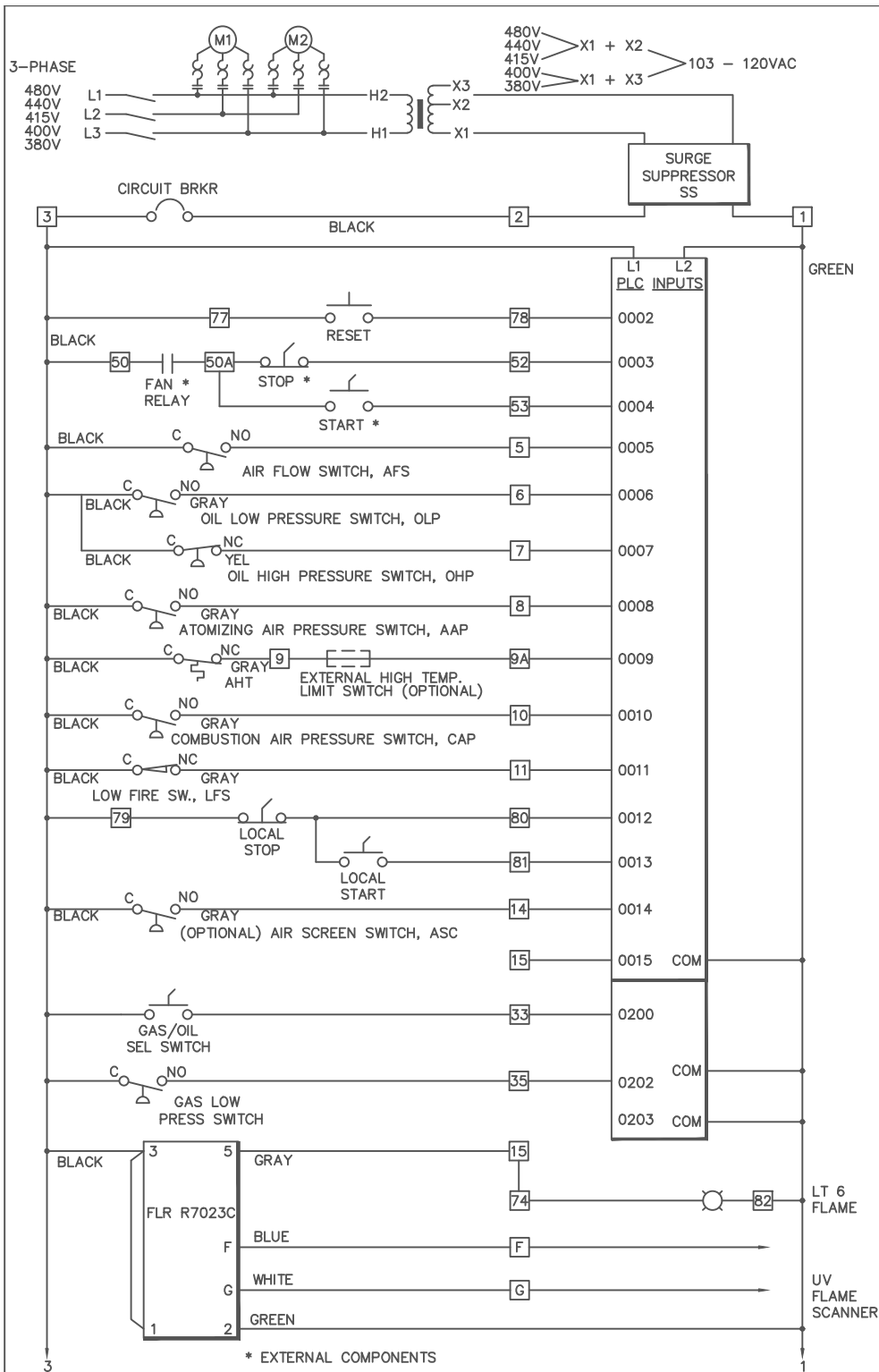
SAMUEL JACKSON MFG. CO.	
ELECTRICAL SCHEMATIC FOR LOCAL PANEL ASSY.	
REF: 1114A	
DWN. BY G.F.E.	DRAWING NO. 14-2528
DATE 11-88	





NOTE 1: ONLY FOR SERIAL NUMBERS 5200 AND 5201 WITHOUT SEPARATE LOW FIRE SWITCH. LFS.  
NOTE 2: FOR SERIAL NO. 5676 AND BELOW LFS IS NORMALLY OPEN.

<b>SAMUEL JACKSON, INC.</b>		9-96 3631A
ELECTRICAL SCHEMATIC FOR HO-7-1114B/HO-4-1118		
OIL-FIRED HEATERS		



NOTE 1: ONLY FOR SERIAL NUMBERS 5200 AND 5201 WITHOUT SEPARATE LOW FIRE SWITCH. LFS.

<b>SAMUEL JACKSON, INC.</b>		<b>3640B</b> 9-96
ELECTRICAL SCHEMATIC FOR HO-7-1114B/HO-4-1118 WITH DUAL FUEL OPTION		
DECAL PART 10-17268A		