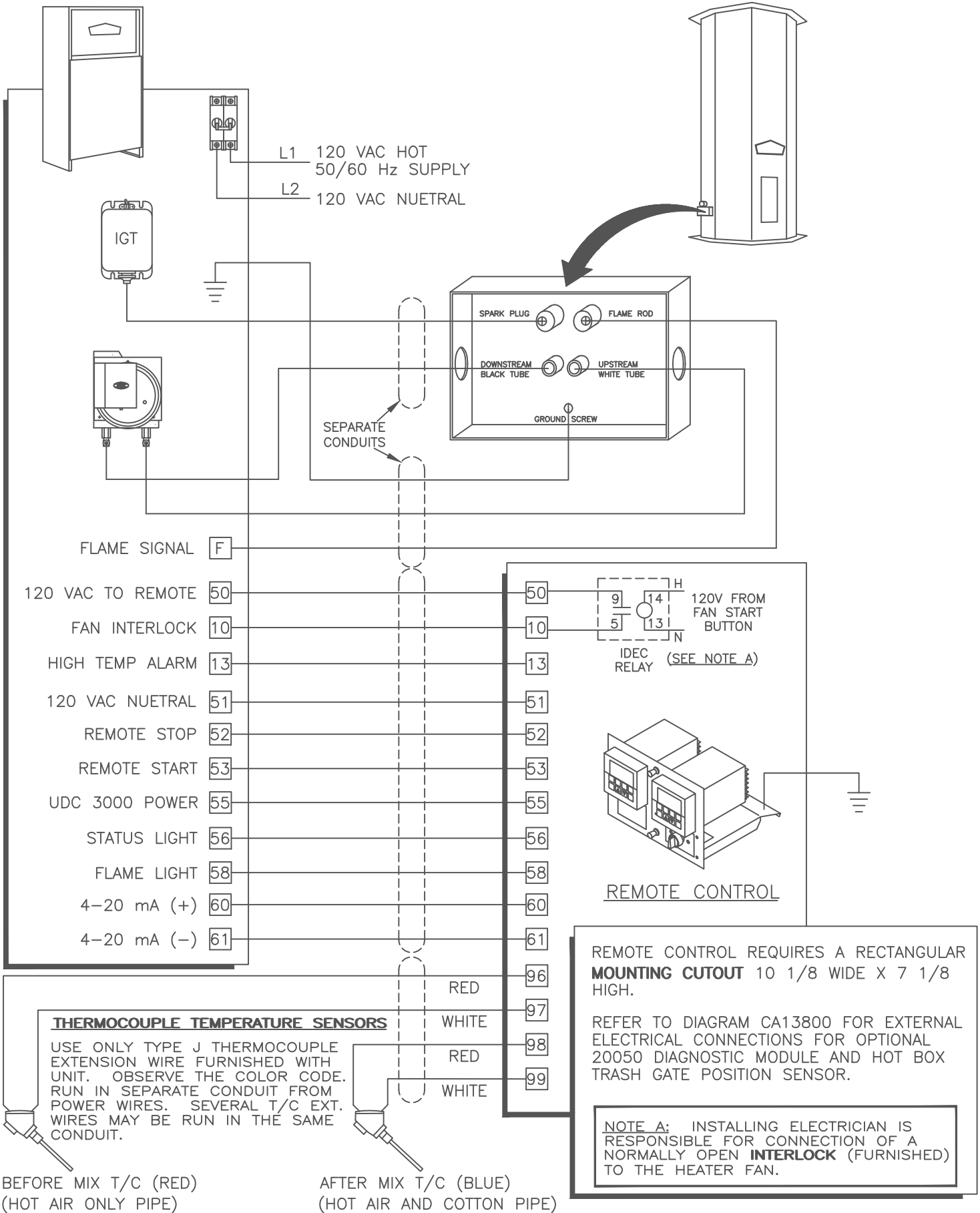
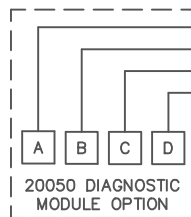
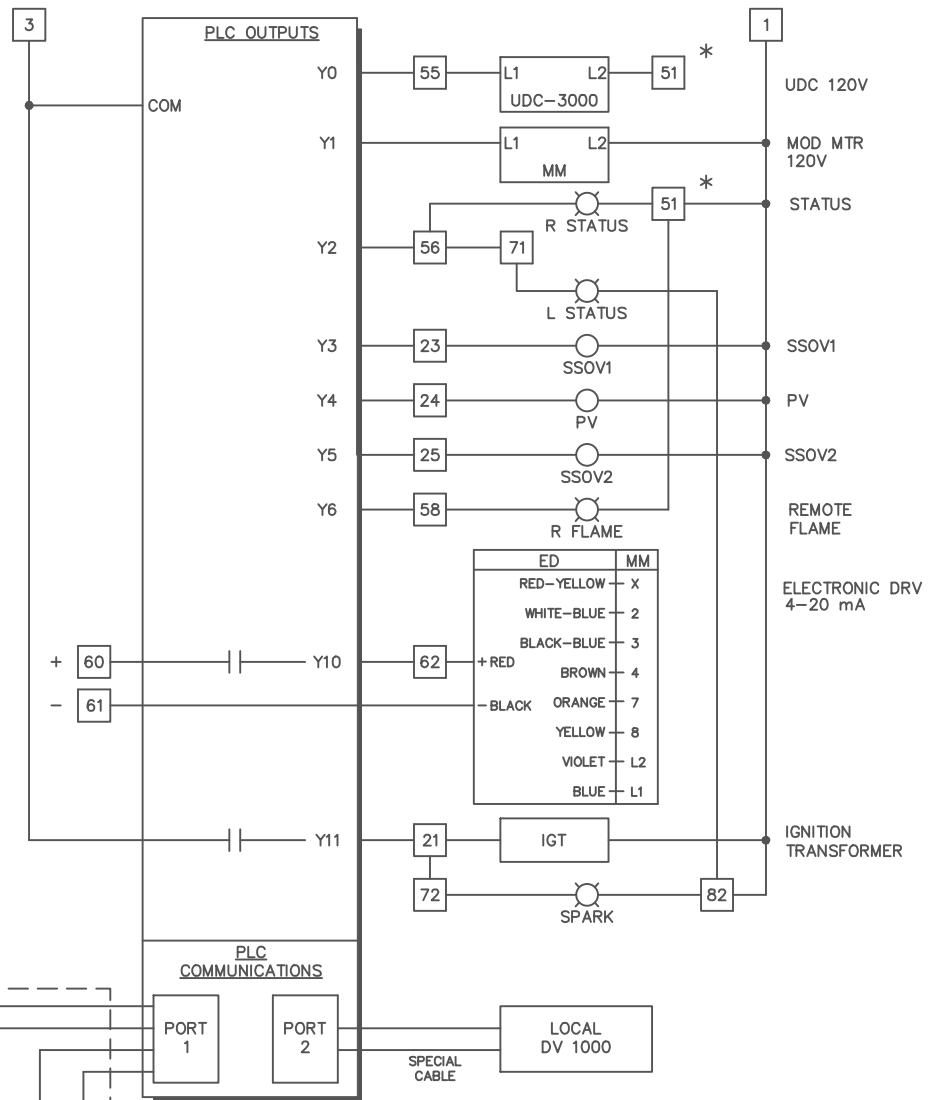
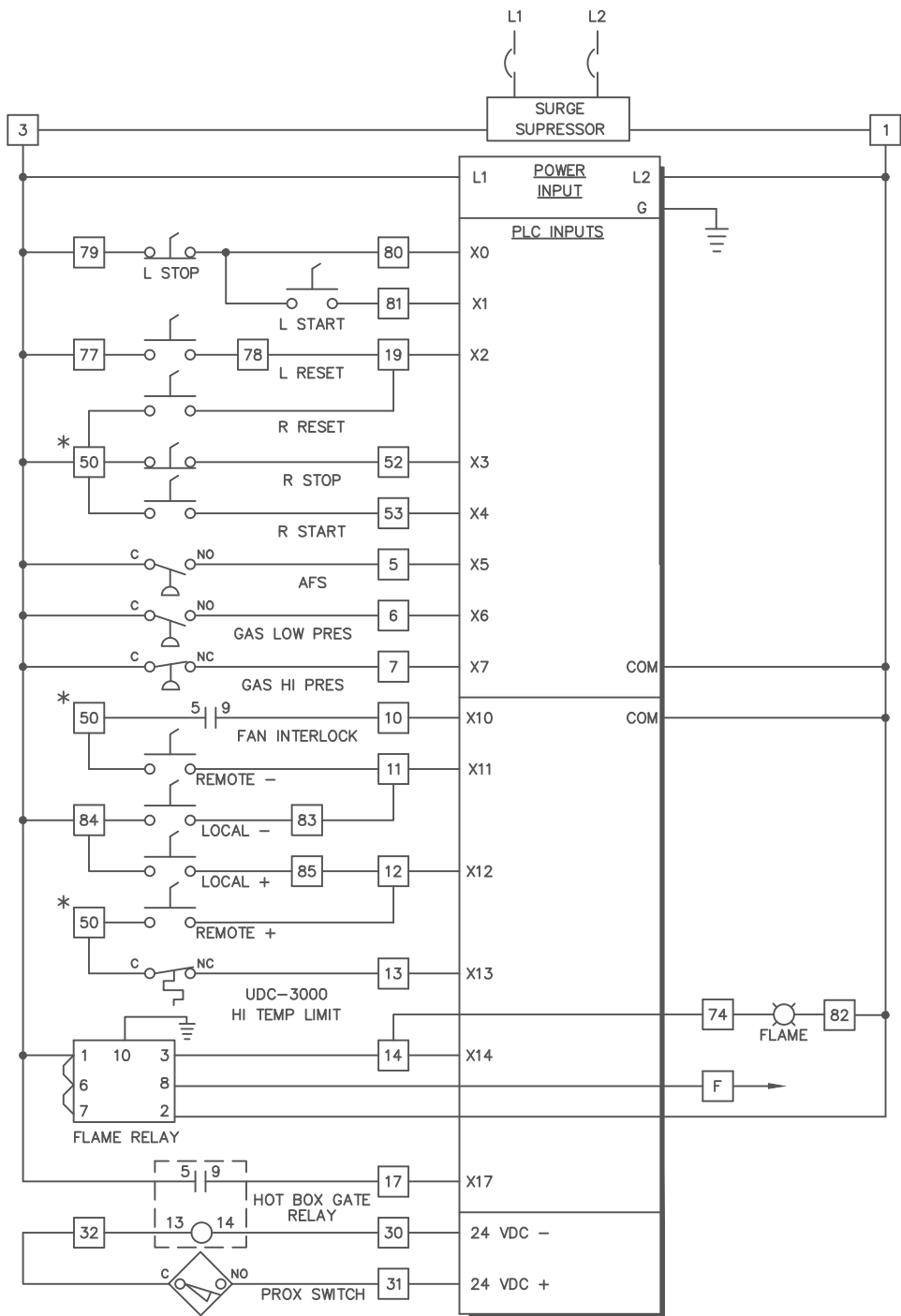


EXTERNAL ELECTRICAL CONNECTIONS HG-4-1204 4 MBTU/HR GAS-FIRED HEATER WITH 20000 REMOTE CONTROL

CA13140
8-98

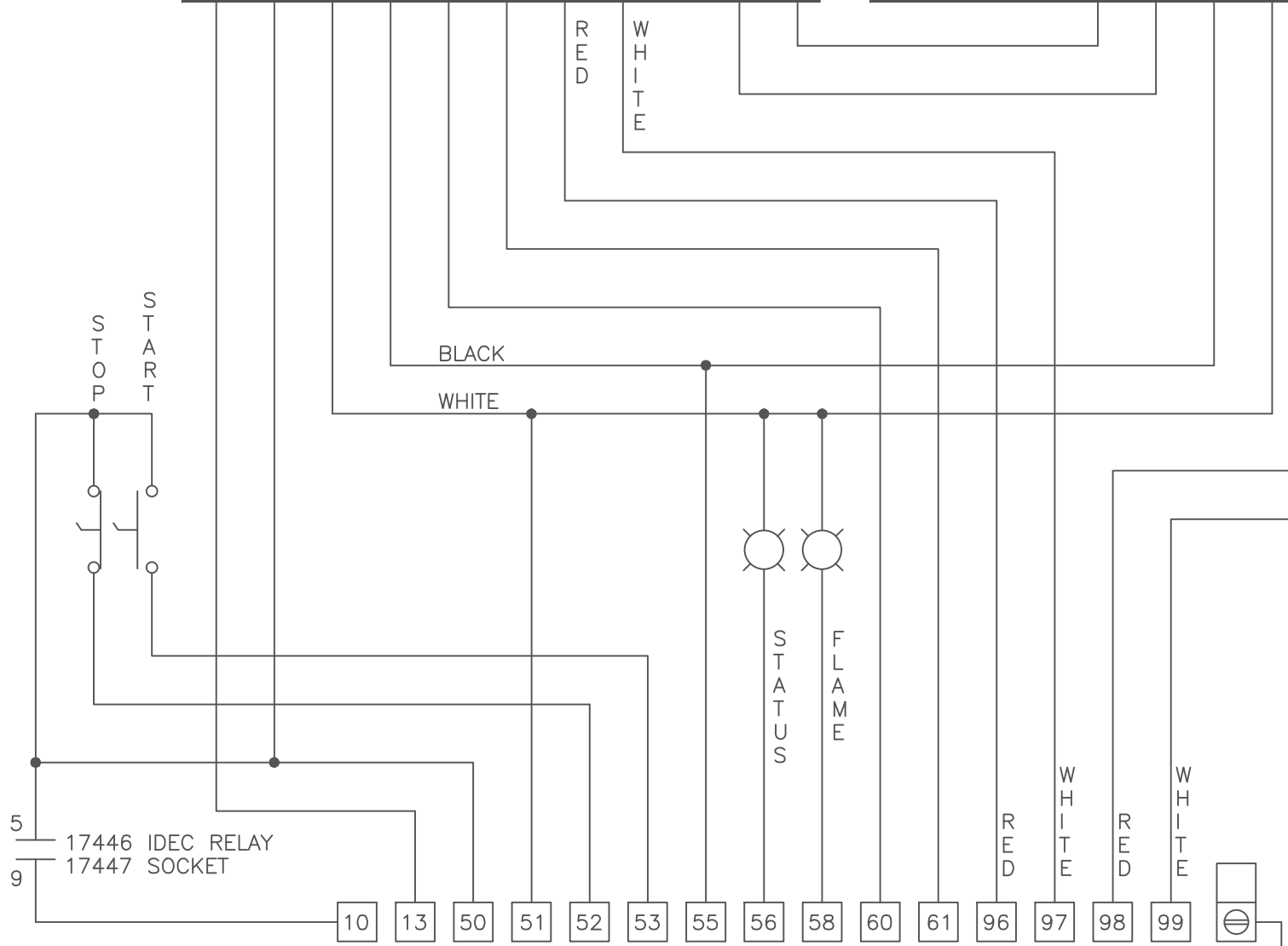
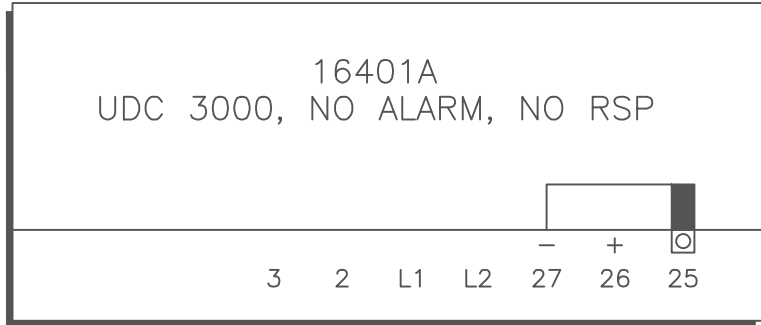
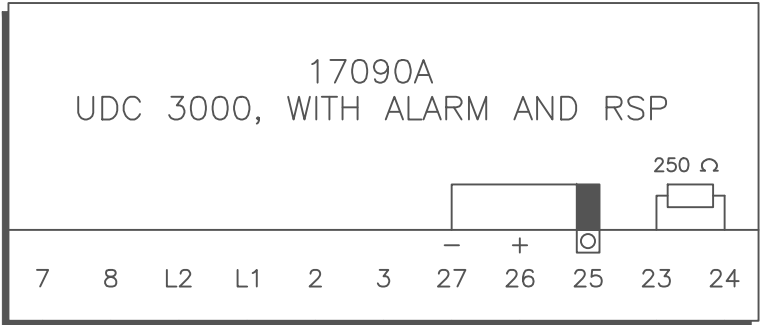




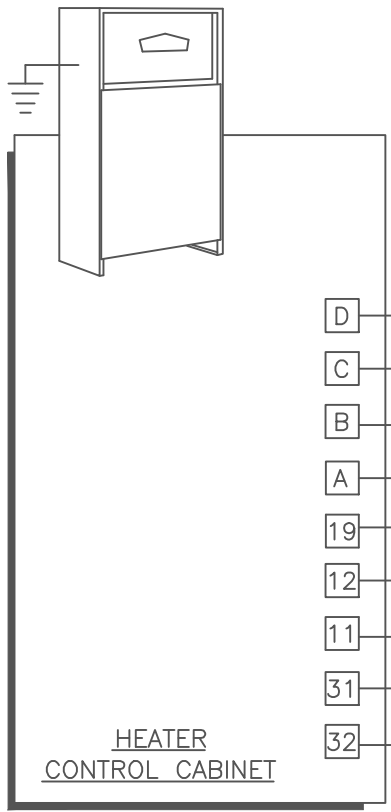
SAMUEL JACKSON, INC.

HG-4-1204
4M BTU/HR HEATER
ELECTRICAL SCHEMATIC

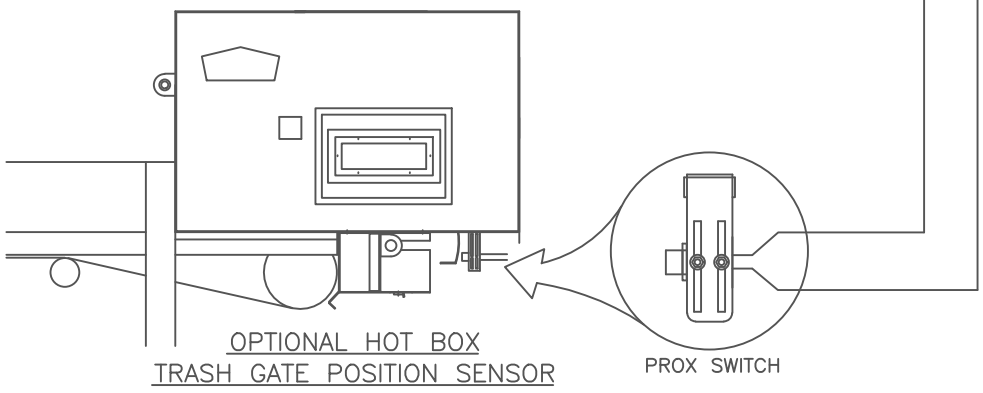
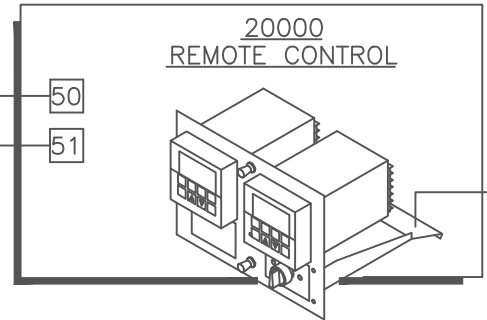
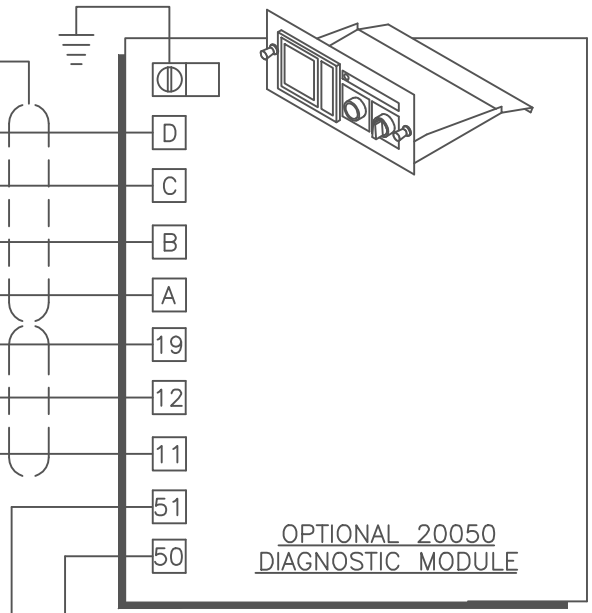
CA13150
7-98



SAMUEL JACKSON, INC.
20000 REMOTE CONTROL
WIRING SCHEMATIC
8-97 CA13700



SHIELD GROUNDED ON THIS END ONLY!



SAMUEL JACKSON, INC.
EXTERNAL WIRING OF OPTIONS
FOR GAS-FIRED HEATERS

3-99

CA13800