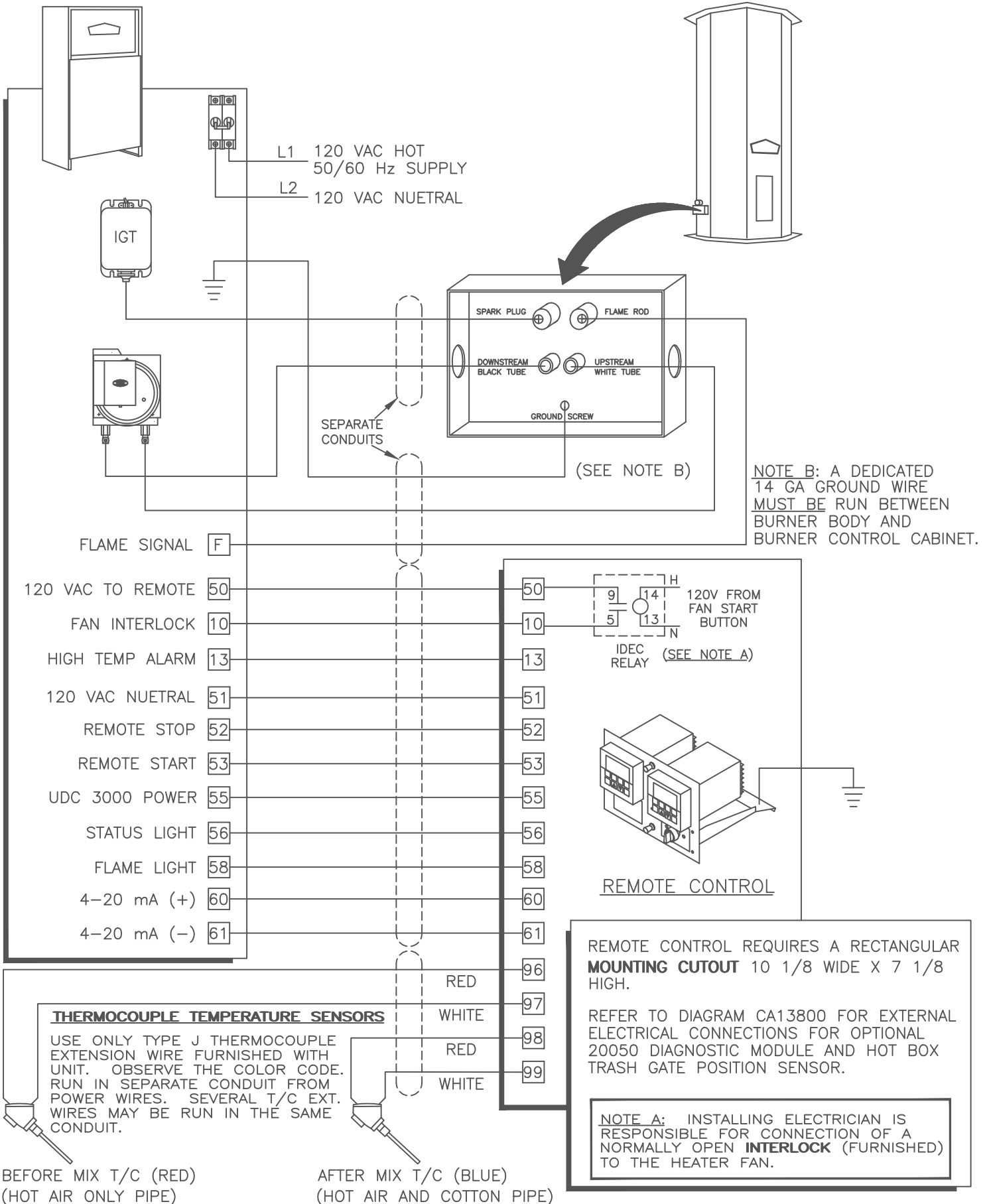
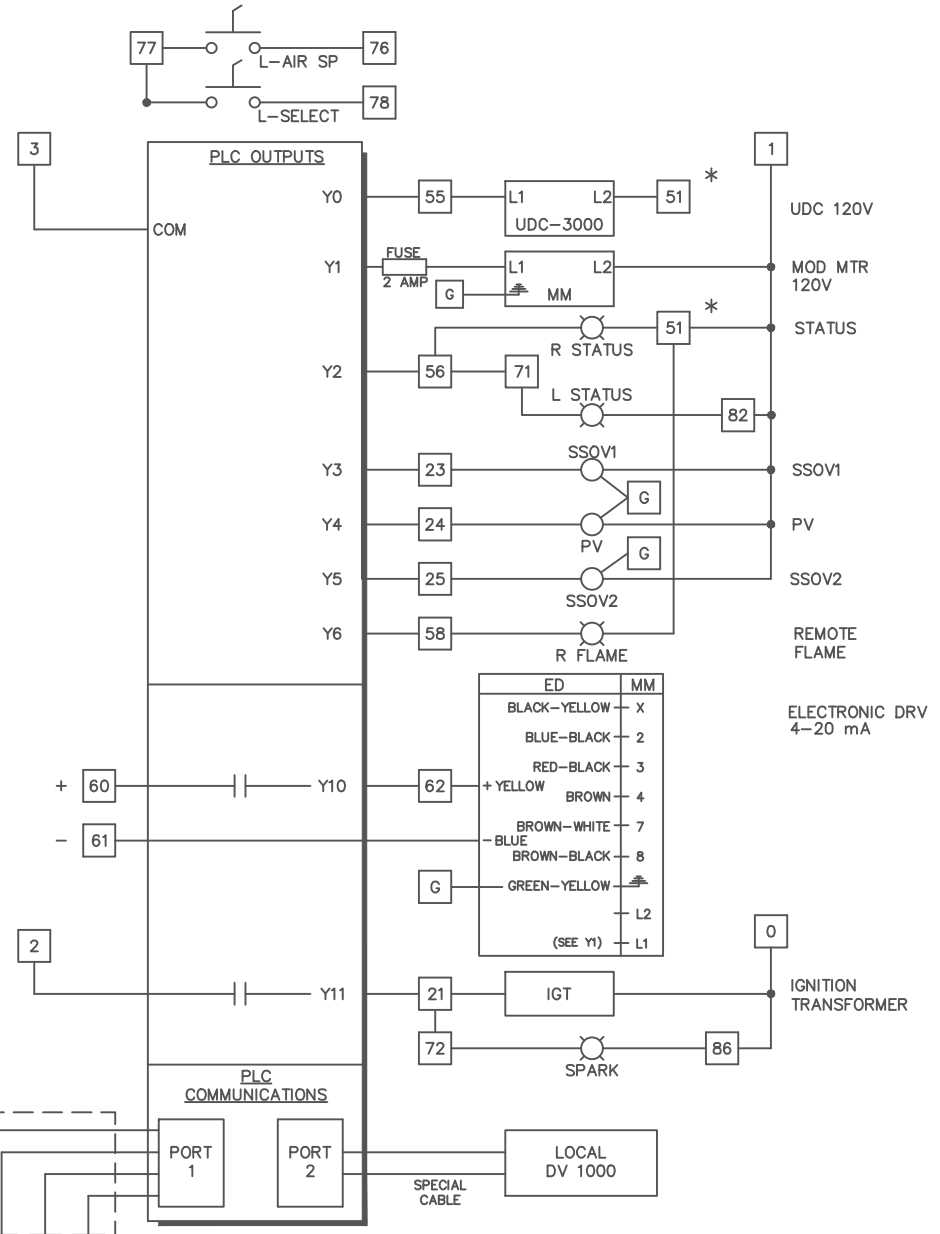
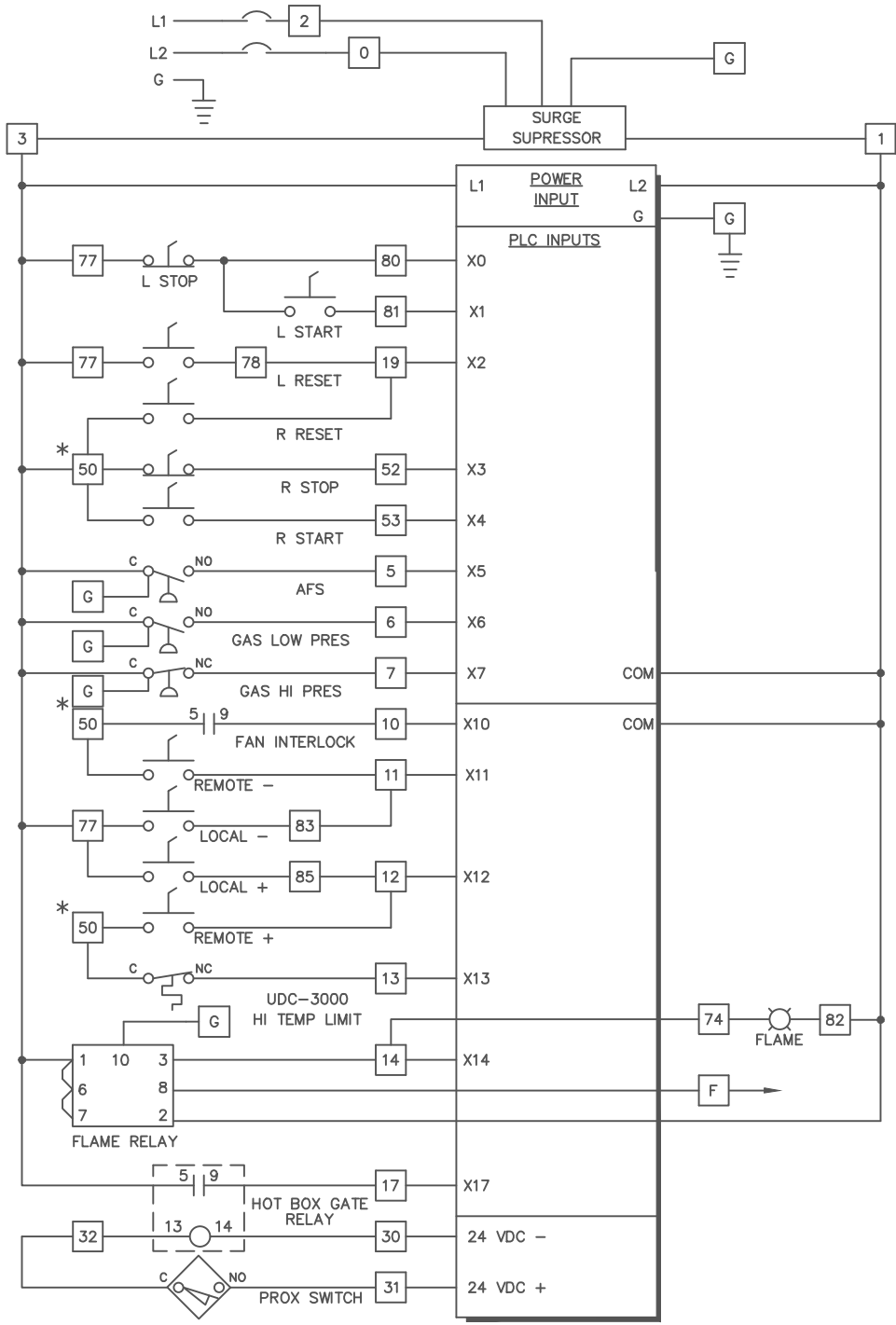


# EXTERNAL ELECTRICAL CONNECTIONS HG-4-1204 4 MBTU/HR GAS-FIRED HEATER WITH 20000 REMOTE CONTROL

CA13140A  
9-98

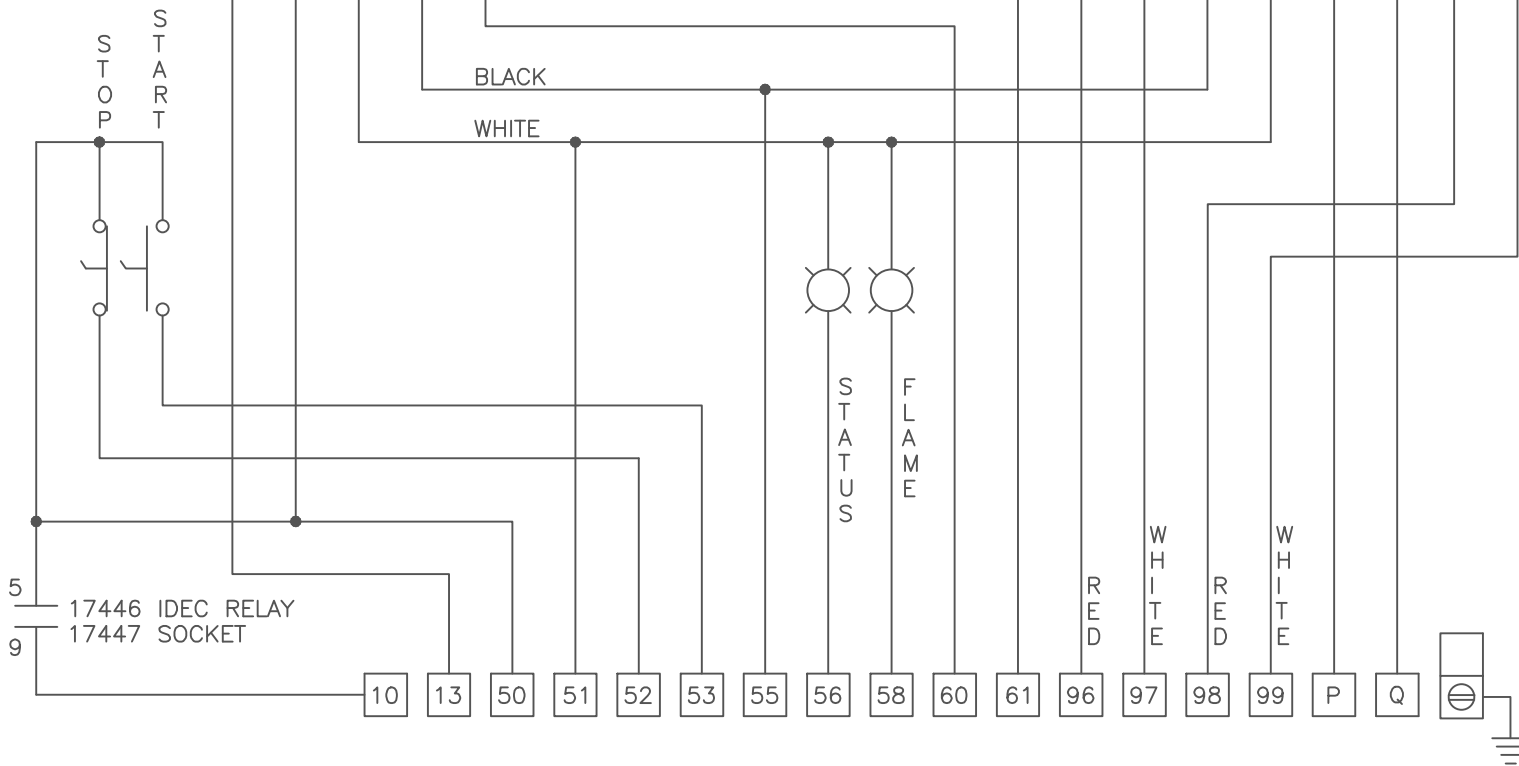
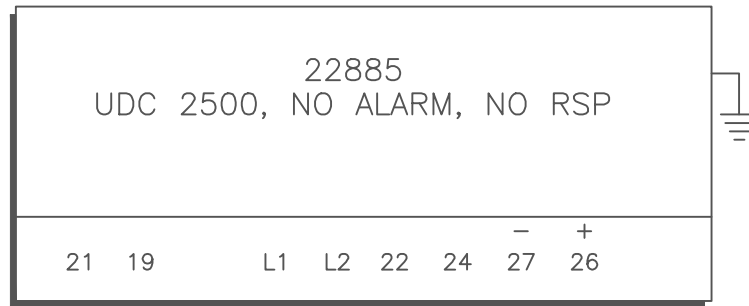
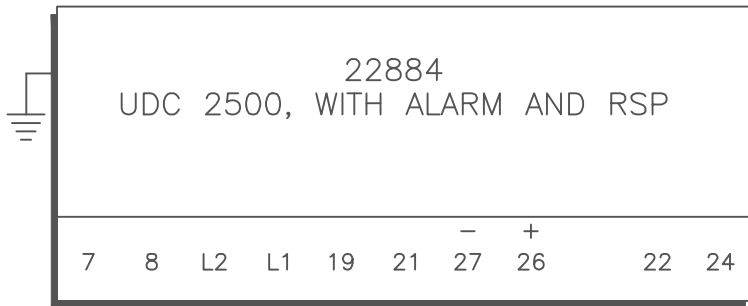




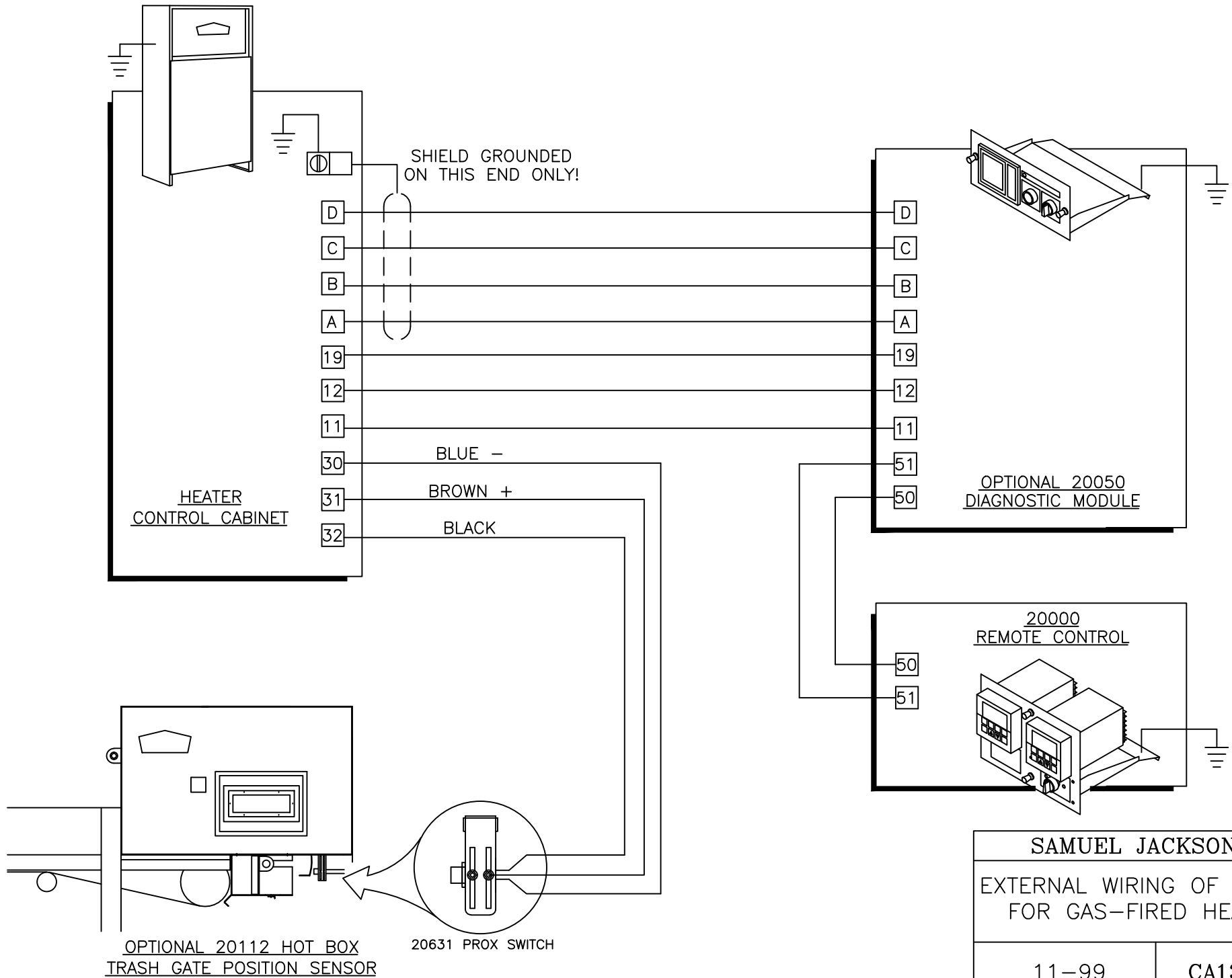
**SAMUEL JACKSON, INC.**

HG-4-1204  
 4M BTU/HR HEATER  
 ELECTRICAL SCHEMATIC

CA13150A  
 4-03



SAMUEL JACKSON, INC.	
20000 REMOTE CONTROL WIRING SCHEMATIC	
5-13	CA13700C



SAMUEL JACKSON, INC.	
EXTERNAL WIRING OF OPTIONS FOR GAS-FIRED HEATERS	
11-99	CA13800A