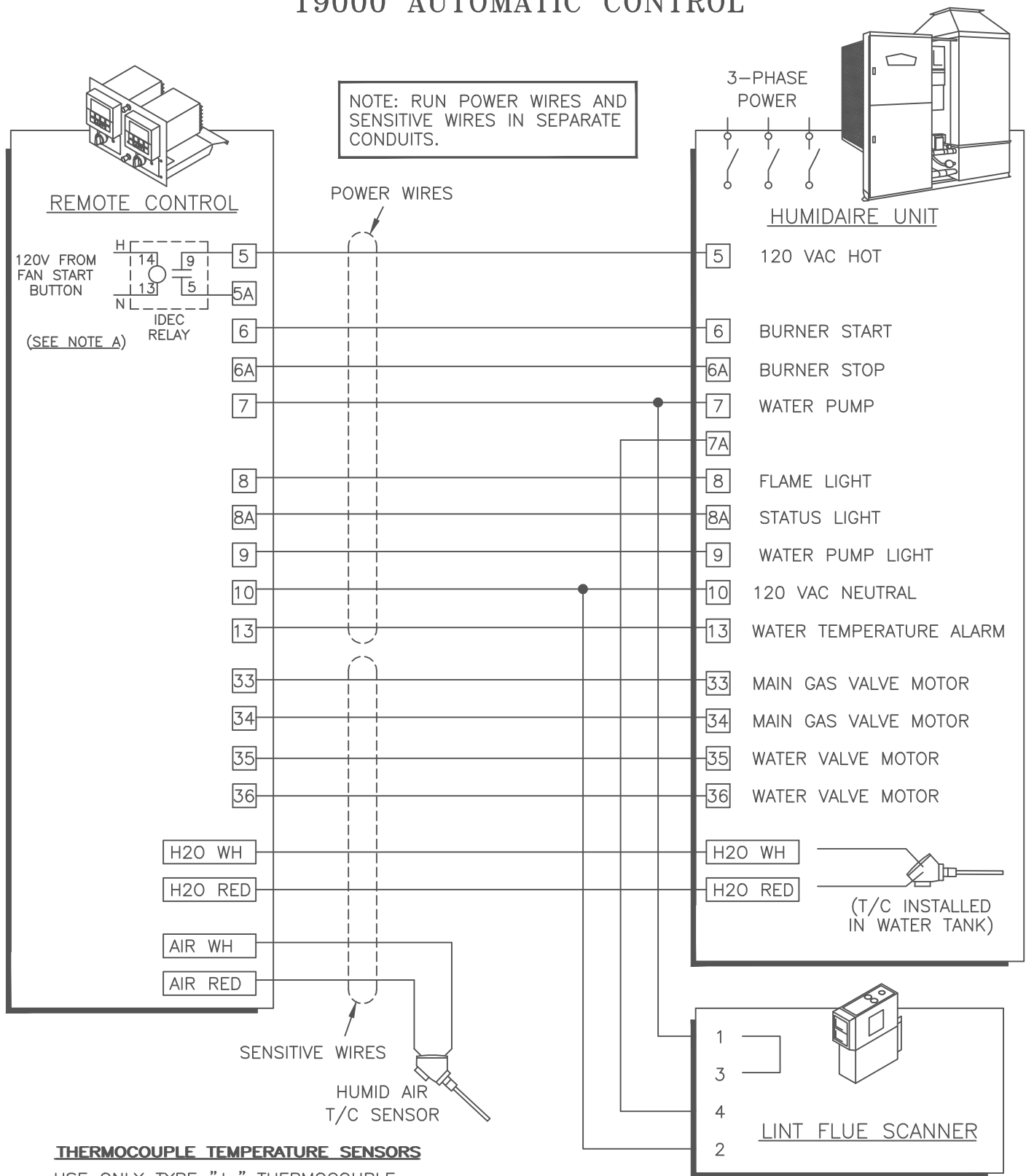


EXTERNAL ELECTRICAL CONNECTIONS HU-60-1250 WITH 19000 AUTOMATIC CONTROL

CAT 2520
10-95



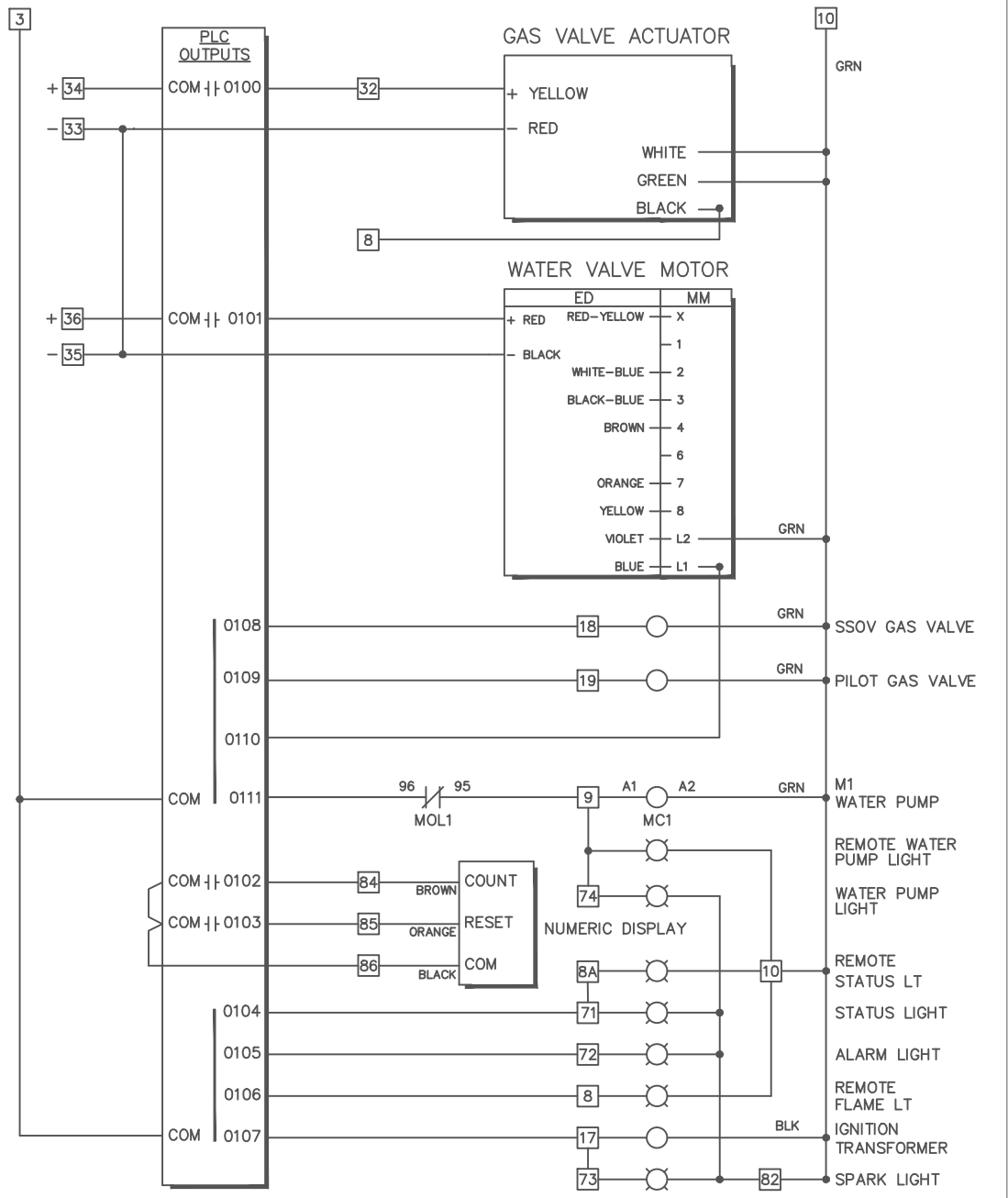
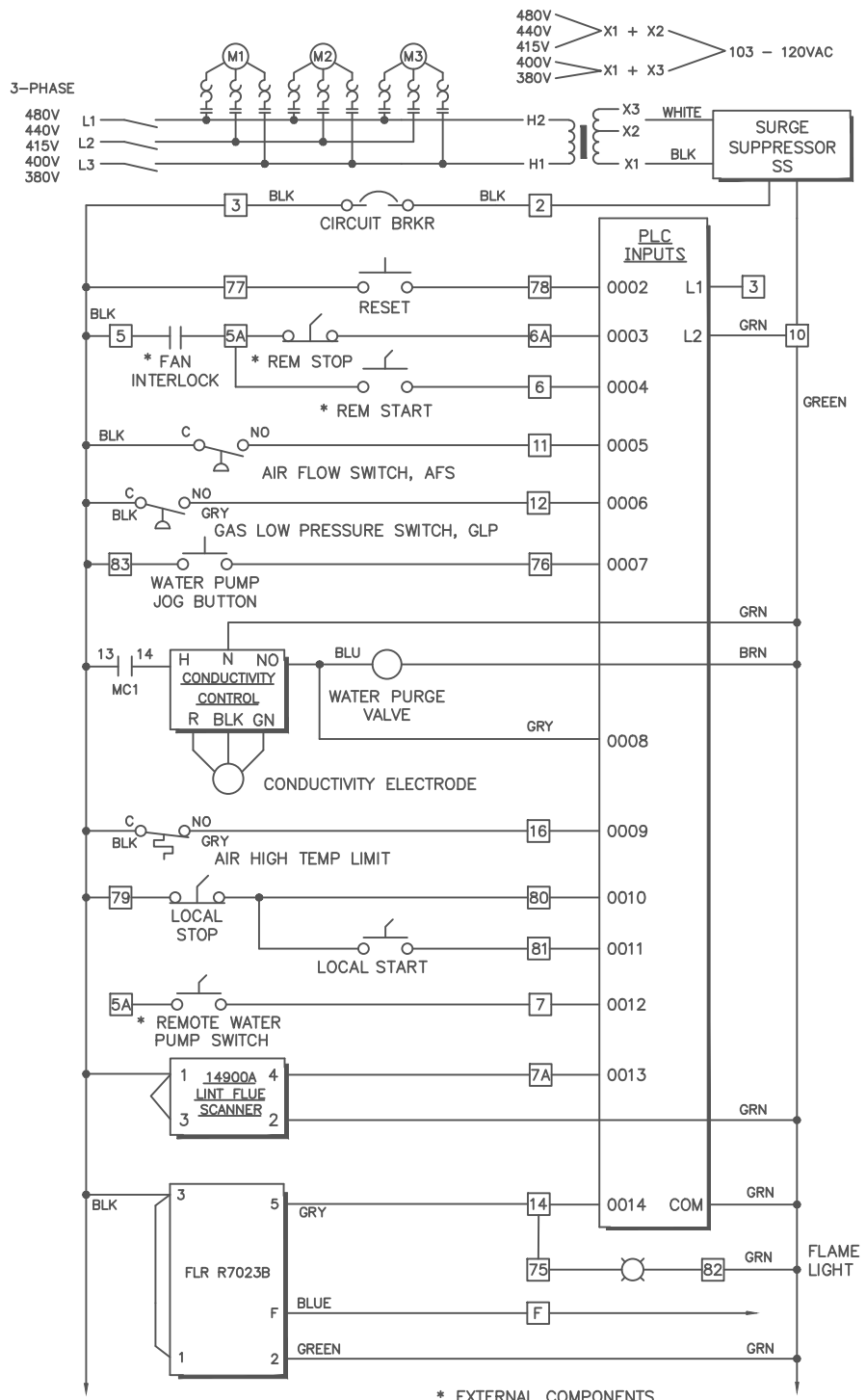
THERMOCOUPLE TEMPERATURE SENSORS

USE ONLY TYPE "J" THERMOCOUPLE EXTENSION WIRE FURNISHED WITH UNIT. OBSERVE THE COLOR CODE. RUN IN SEPARATE CONDUIT FROM POWER WIRES. SEVERAL T/C EXT. WIRES MAY BE RUN IN THE SAME CONDUIT.

NOTE A: INSTALLING ELECTRICIAN IS RESPONSIBLE FOR CONNECTION OF A NORMALLY OPEN INTERLOCK (FURNISHED) TO THE HUMID AIR FAN.

REMOTE CONTROL REQUIRES A RECTANGULAR MOUNTING CUTOUT 10 1/8 WIDE X 7 1/8 HIGH.

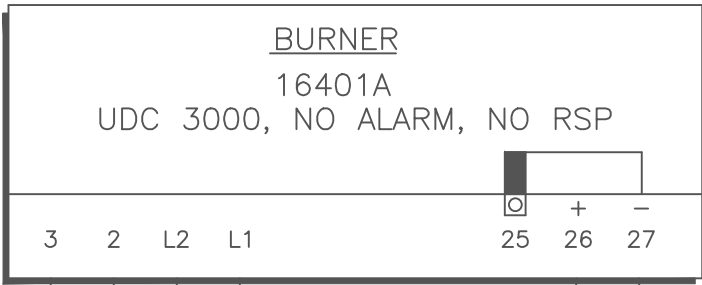
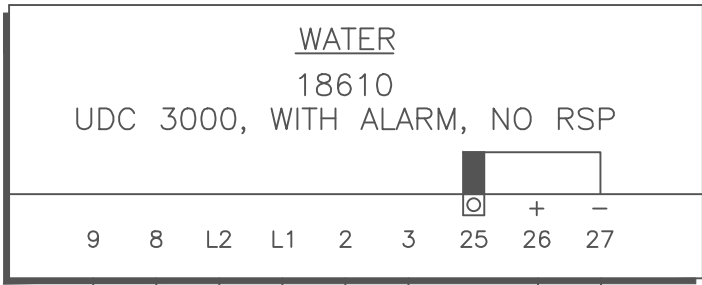
FOR BLUE UDC-3000 CONTROLS MAKE THE FOLLOWING TERMINAL SUBSTITUTIONS:
10 FOR 23, 11 FOR 24, 18 FOR 27, AND 1 FOR 3.



SAMUEL JACKSON, INC.

ELECTRICAL SCHEMATIC
HU-60-1250
GAS-FIRED HUMIDAIRE UNIT

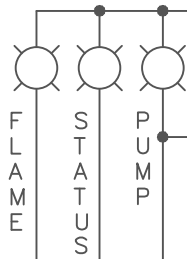
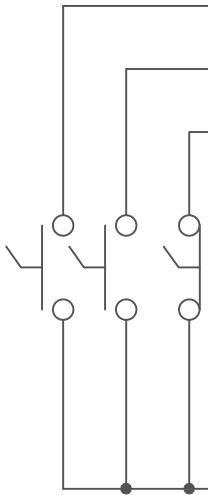
CAT12530
10-94



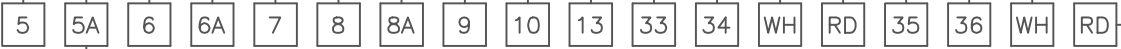
SAMUEL JACKSON, INC.
19000 HUMIDAIRE REMOTE
WIRING SCHEMATIC

8-95 CAT 2390

BURNER STOP
 BURNER START
 WATER PUMP



17446 IDEC RELAY
17447 SOCKET



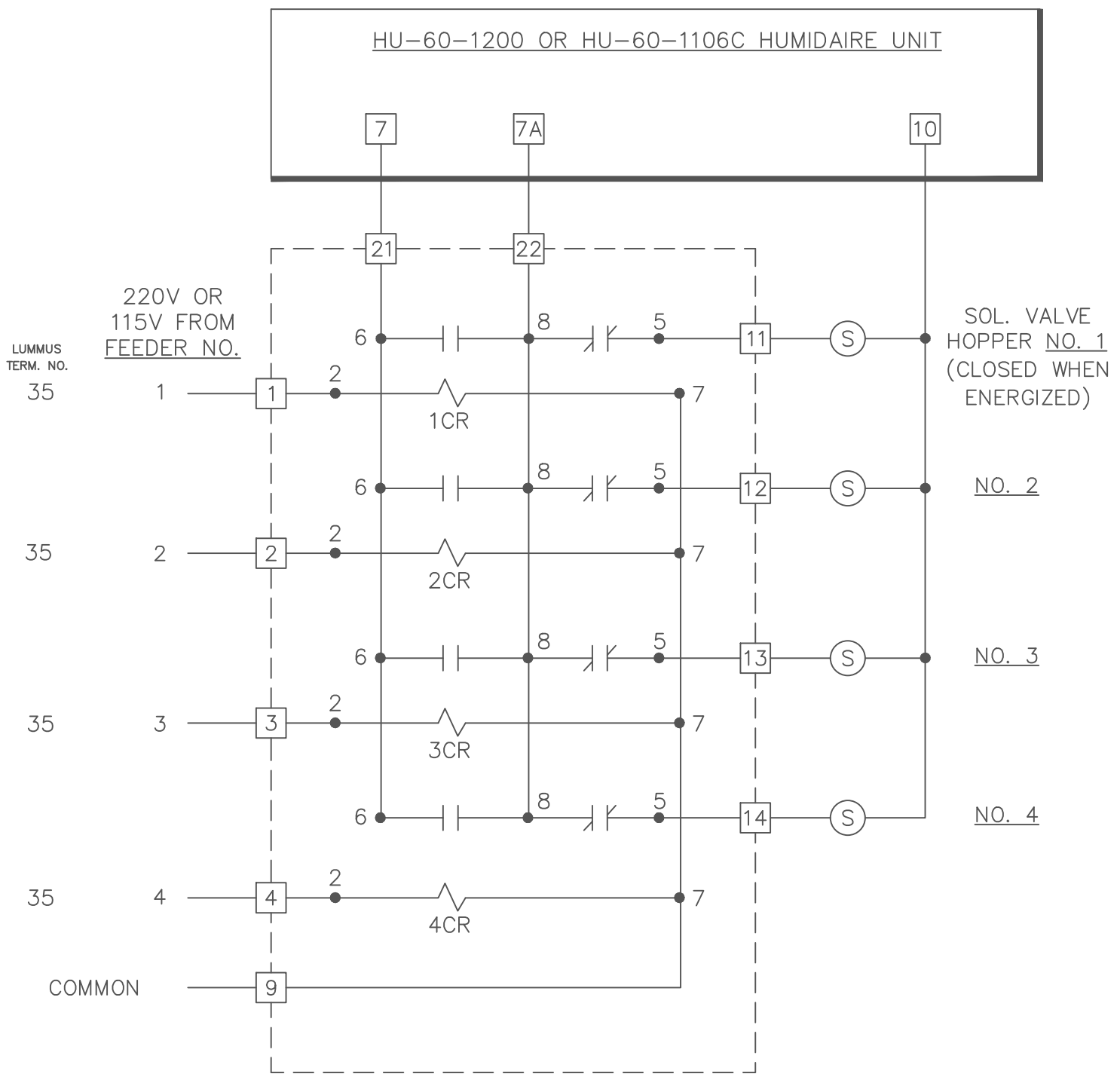
RED
WHITE

WHITE
RED

ELECTRICAL SCHEMATIC

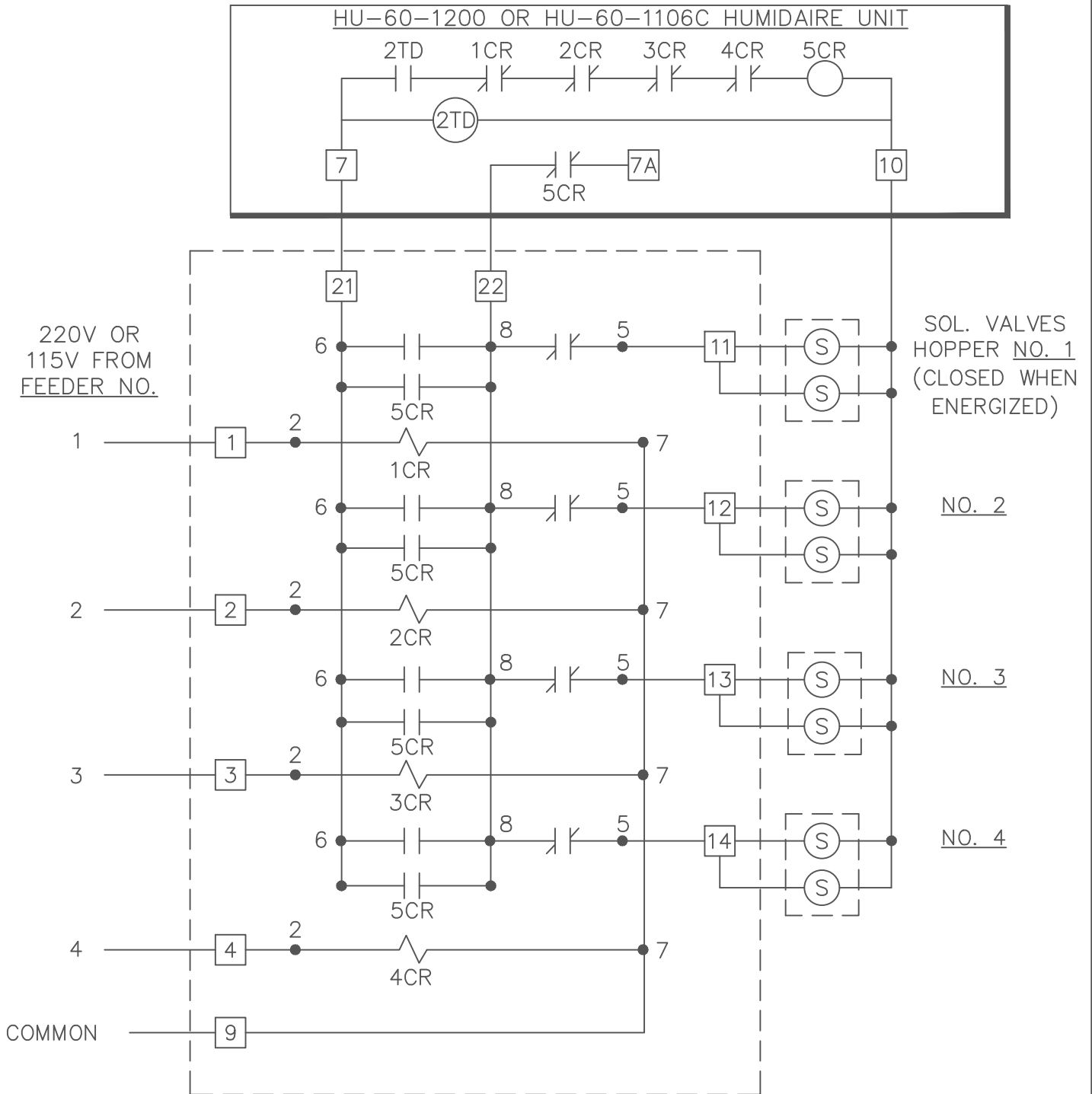
13850 RELAY PANEL

FOR JACKSON CONDITIONING HOPPERS



4 NO. 13146 RELAYS, KRP 11A 120 VAC.
 USE 220V RELAYS FOR LUMMUS EXPORT.
 SOLENOID VALVE COILS ARE ALWAYS
 120 VAC. THEIR POWER COMES FROM
 TERMINAL 7 OF THE HUMIDAIRE UNIT.

ELECTRICAL SCHEMATIC 13850 RELAY PANEL FOR JACKSON CONDITIONING HOPPERS DOUBLE AIR ENTRY



4 NO. 13146 RELAYS, 220 VAC.
SOLENOID VALVE COILS ARE ALWAYS
120 VAC. THEIR POWER COMES FROM
TERMINAL 7 OF THE HUMIDAIRE UNIT.