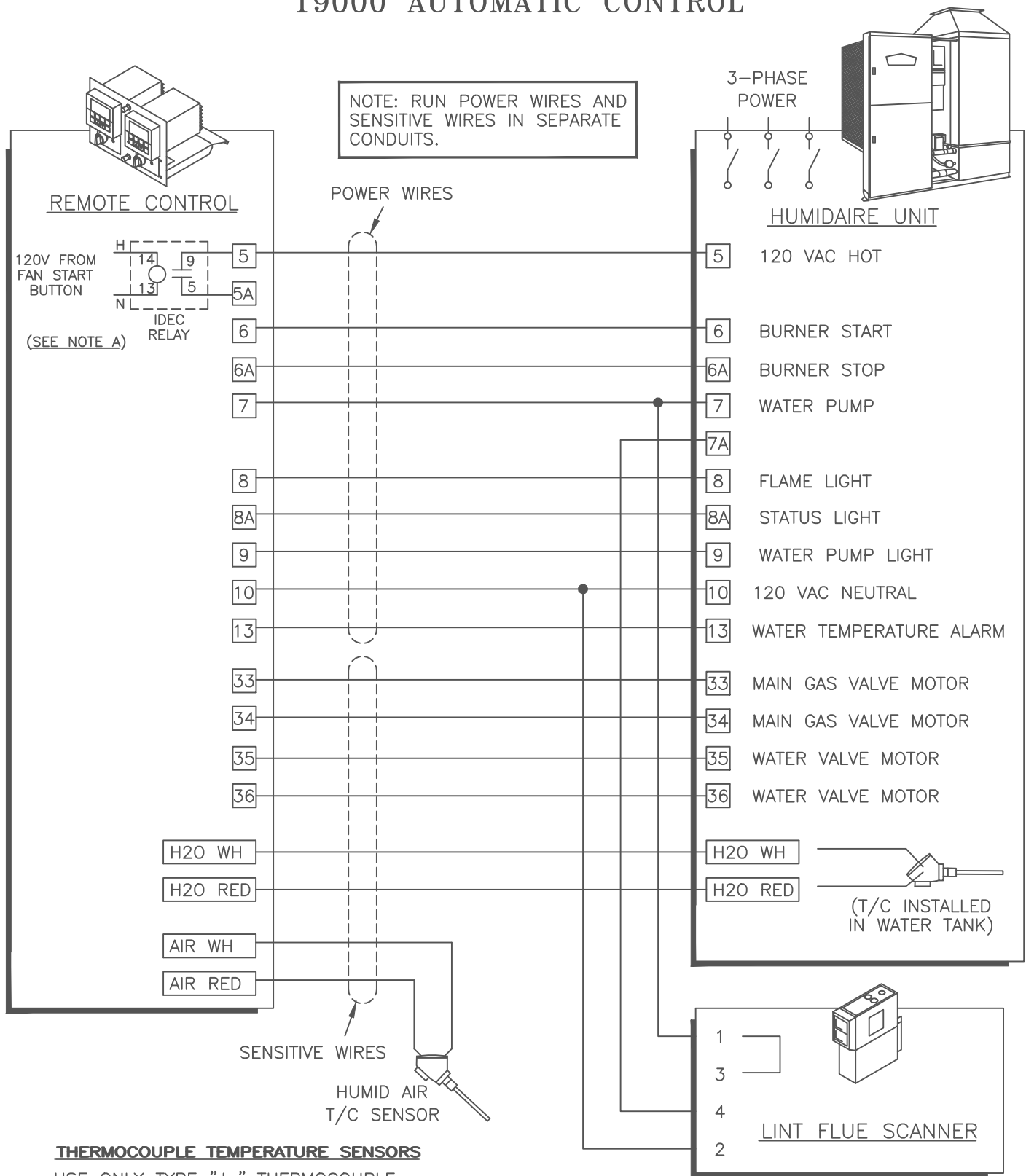


EXTERNAL ELECTRICAL CONNECTIONS HU-60-1250 WITH 19000 AUTOMATIC CONTROL

CAT 2520
10-95



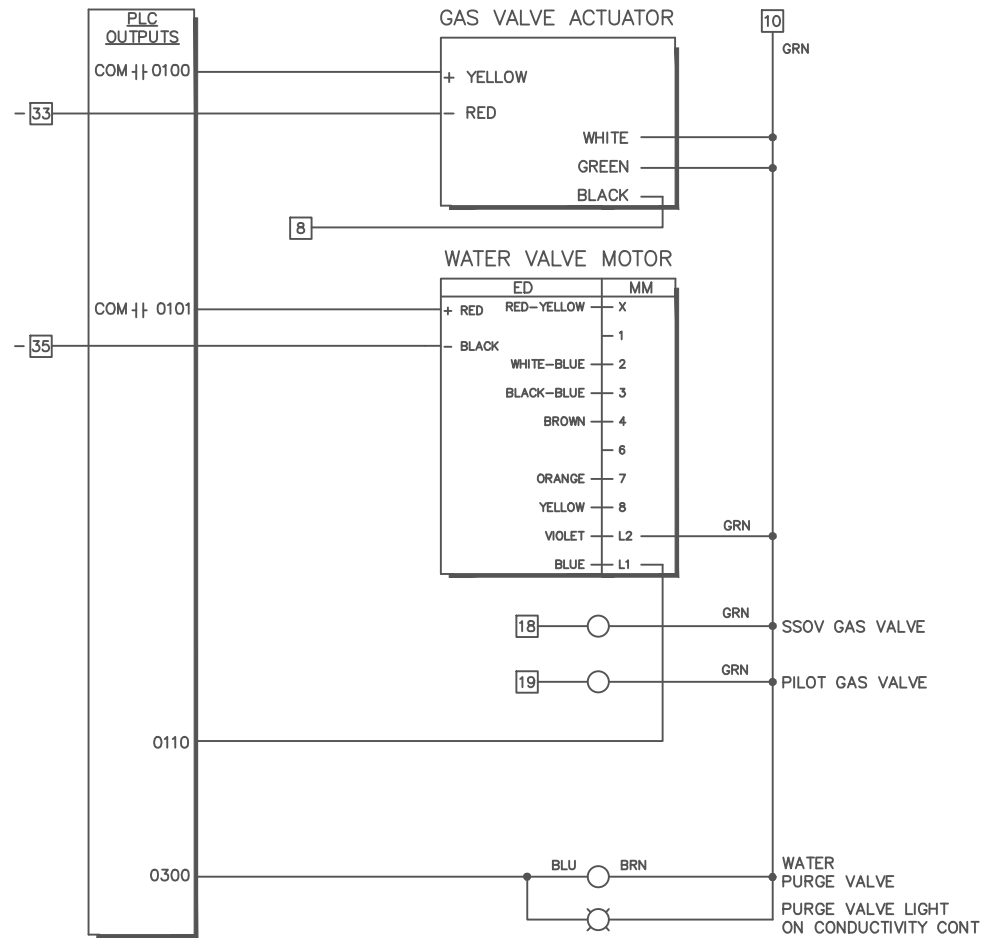
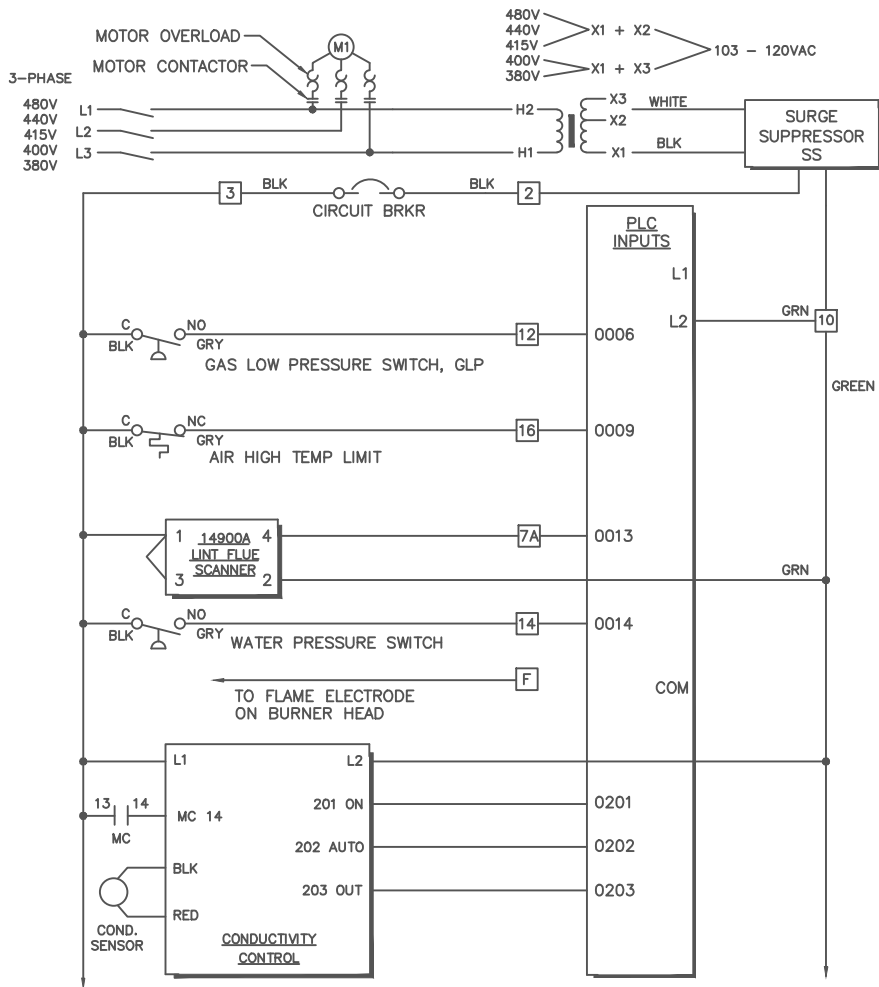
THERMOCOUPLE TEMPERATURE SENSORS

USE ONLY TYPE "J" THERMOCOUPLE EXTENSION WIRE FURNISHED WITH UNIT. OBSERVE THE COLOR CODE. RUN IN SEPARATE CONDUIT FROM POWER WIRES. SEVERAL T/C EXT. WIRES MAY BE RUN IN THE SAME CONDUIT.

NOTE A: INSTALLING ELECTRICIAN IS RESPONSIBLE FOR CONNECTION OF A NORMALLY OPEN **INTERLOCK** (FURNISHED) TO THE HUMID AIR FAN.

REMOTE CONTROL REQUIRES A RECTANGULAR **MOUNTING CUTOUT** 10 1/8 WIDE X 7 1/8 HIGH.

FOR **BLUE UDC-3000 CONTROLS** MAKE THE FOLLOWING TERMINAL SUBSTITUTIONS:
10 FOR 23, 11 FOR 24, 18 FOR 27, AND 1 FOR 3.



SAMUEL JACKSON, INC.

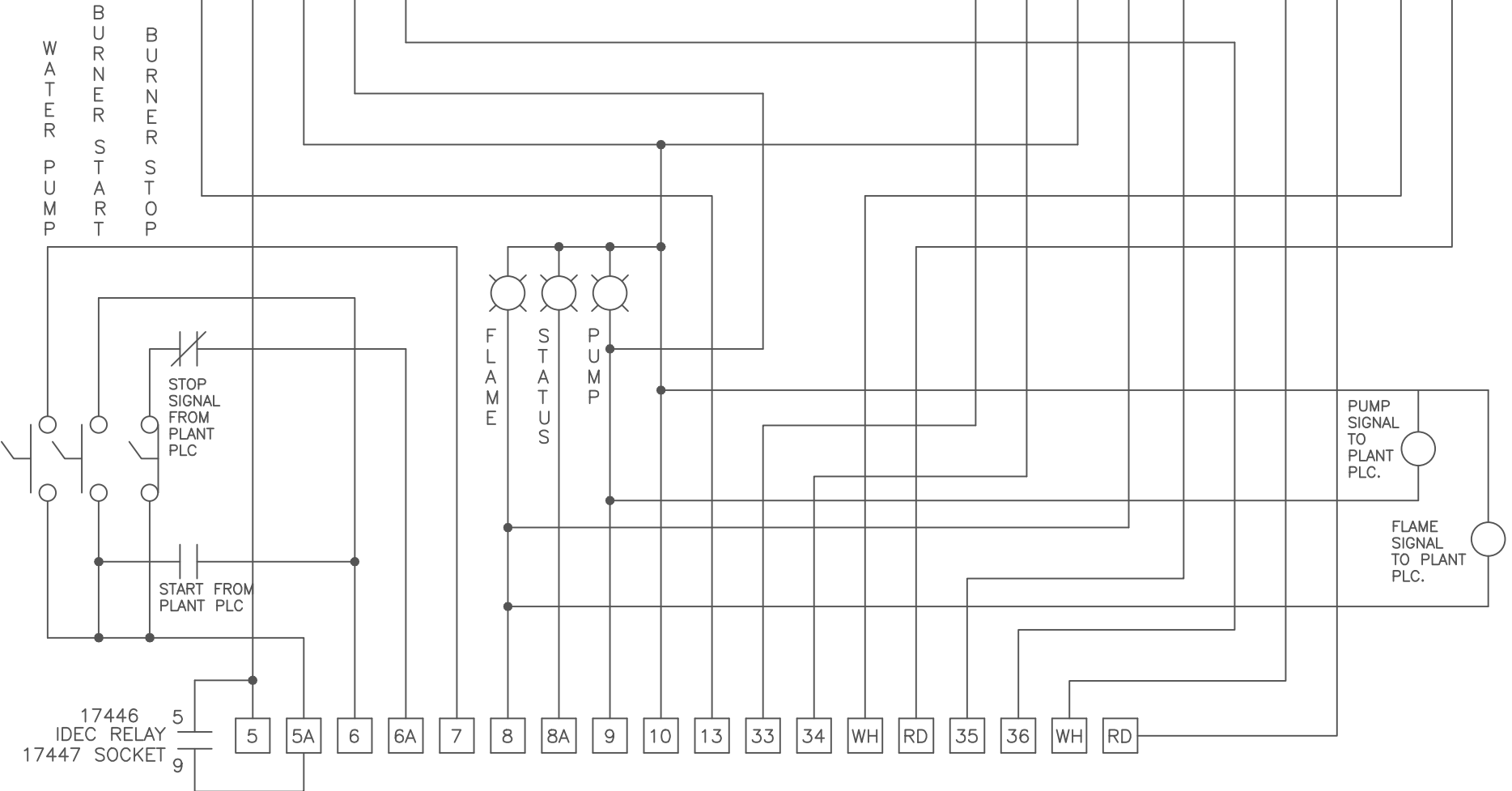
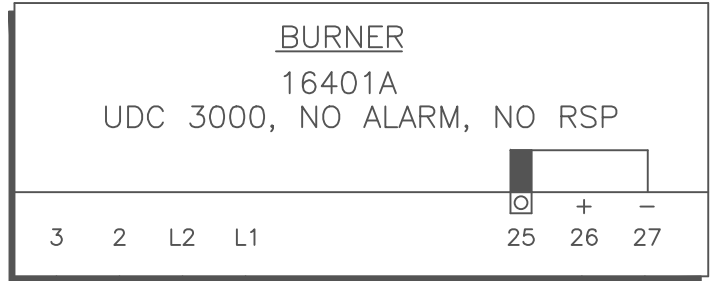
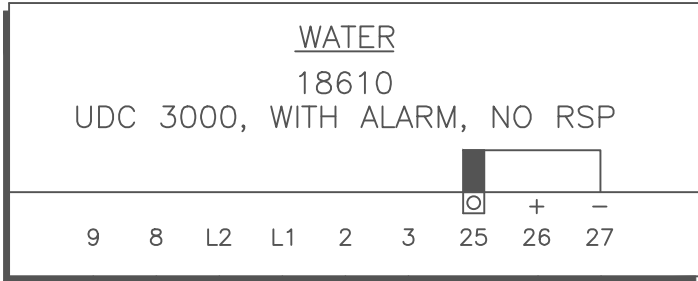
ELECTRICAL SCHEMATIC
HU-60-1250
HUMIDAIRE REBUILD

CAT2530B
2-96

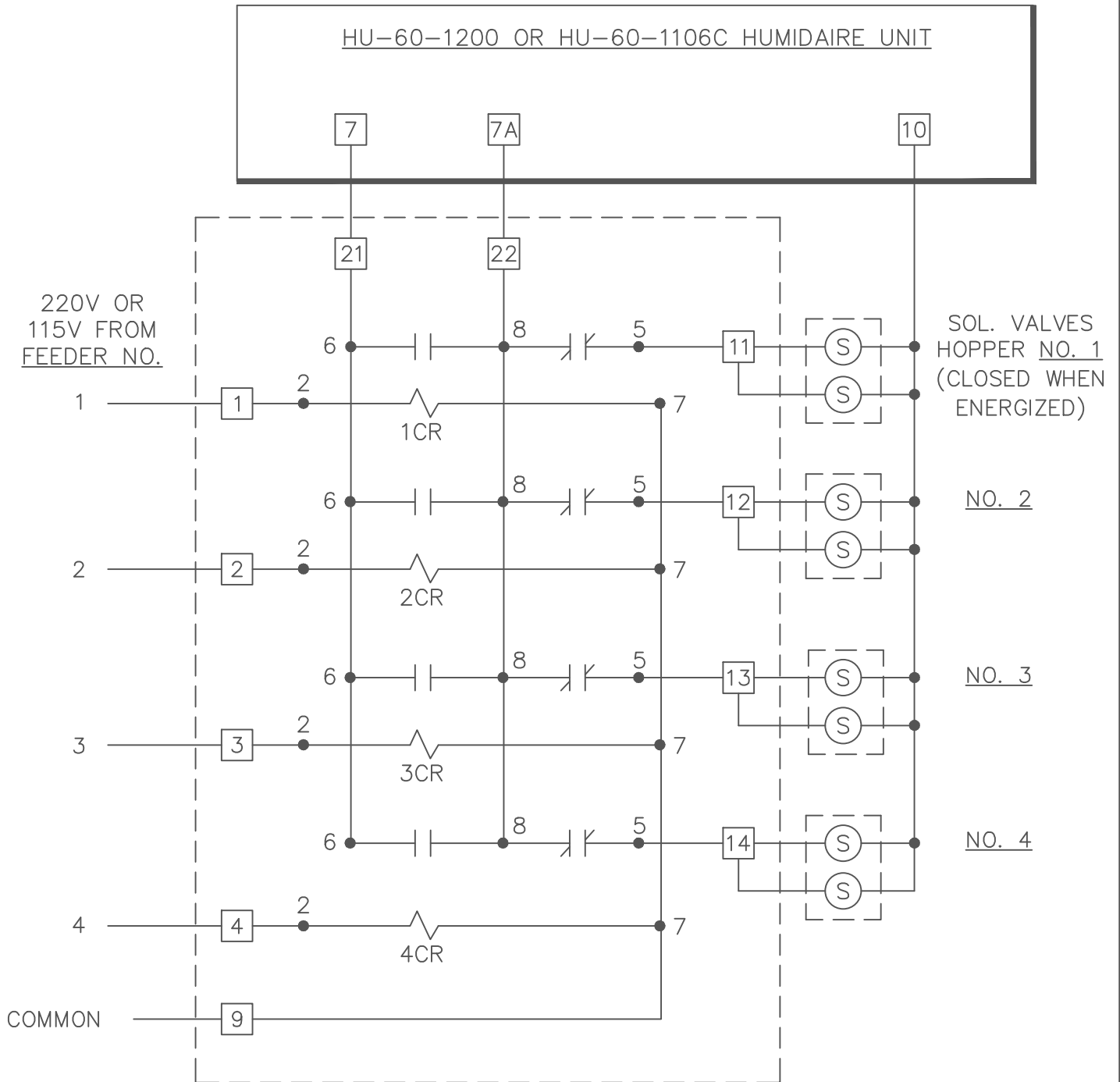
8-95

CAT 2390

SAMUEL JACKSON, INC.
19000 HUMIDAIRE REMOTE
WIRING SCHEMATIC

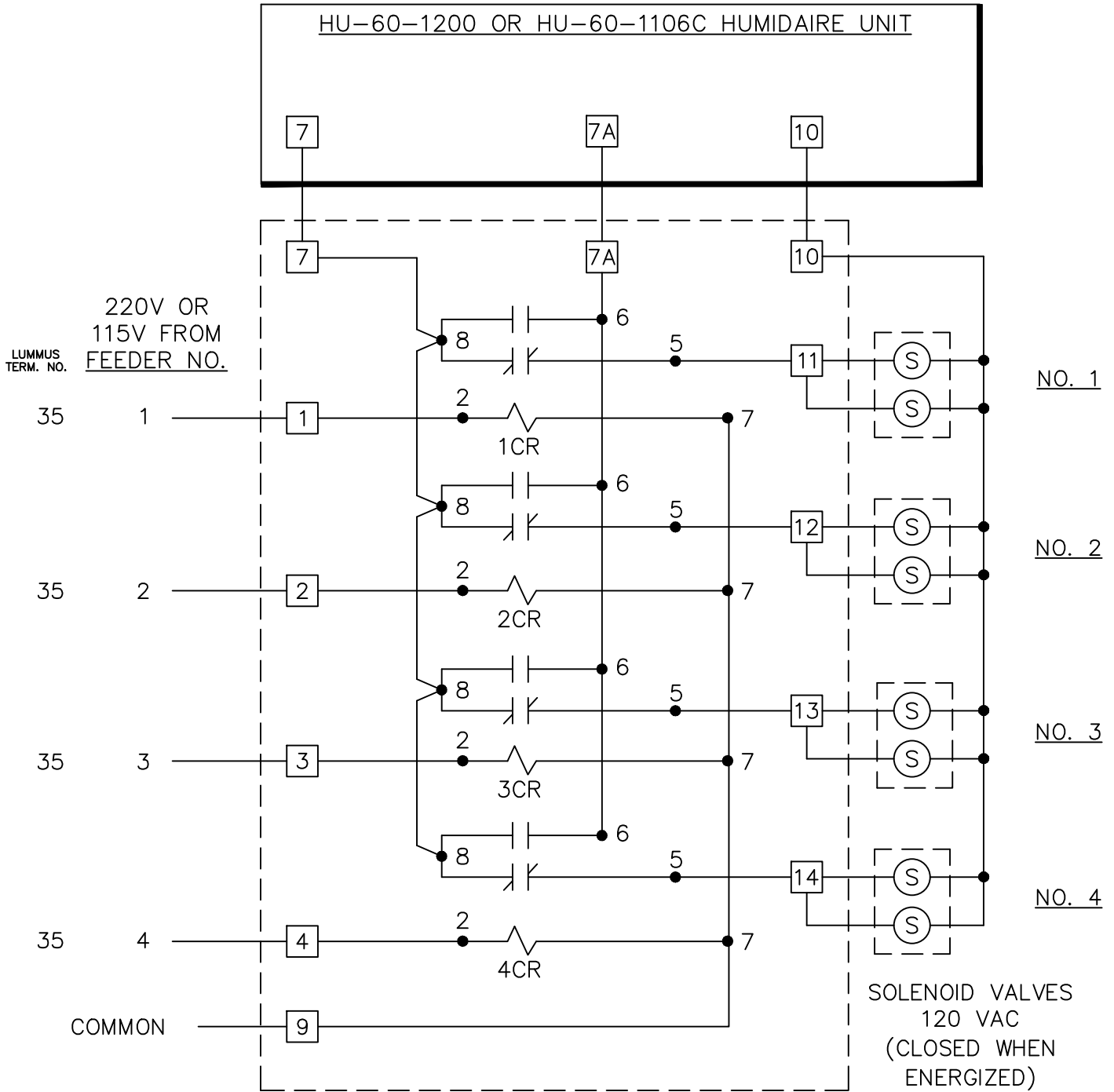


ELECTRICAL SCHEMATIC 13850 RELAY PANEL FOR JACKSON CONDITIONING HOPPERS DOUBLE AIR ENTRY



4 NO. 13146 RELAYS, 120 VAC.
SOLENOID VALVE COILS ARE ALWAYS
120 VAC. THEIR POWER COMES FROM
TERMINAL 7 OF THE HUMIDAIRE UNIT.

ELECTRICAL SCHEMATIC 13850 RELAY PANEL FOR JACKSON CONDITIONING HOPPERS DOUBLE AIR ENTRY



13850 RELAY PANEL
USE 13146 RELAYS, 120 VAC
OR
13864 RELAYS, 240 VAC FOR EXPORT.

SOLENOID VALVE COILS ARE ALWAYS 120 VAC. THEIR POWER COMES FROM TERMINAL 7 OF THE HUMIDAIRE UNIT.