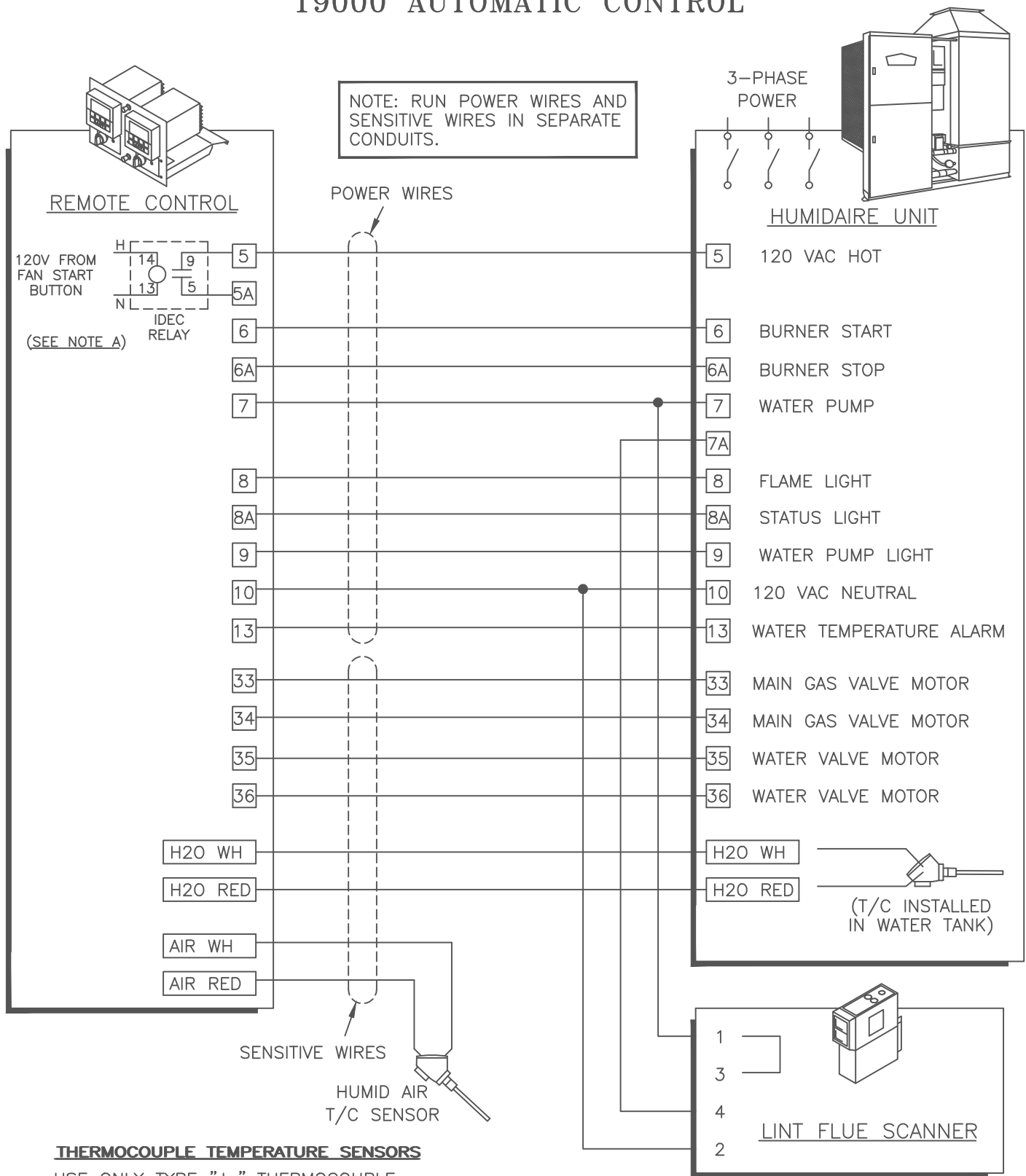


# EXTERNAL ELECTRICAL CONNECTIONS HU-60-1250 WITH 19000 AUTOMATIC CONTROL

CAT 2520  
10-95



**THERMOCOUPLE TEMPERATURE SENSORS**

USE ONLY TYPE "J" THERMOCOUPLE EXTENSION WIRE FURNISHED WITH UNIT. OBSERVE THE COLOR CODE. RUN IN SEPARATE CONDUIT FROM POWER WIRES. SEVERAL T/C EXT. WIRES MAY BE RUN IN THE SAME CONDUIT.

**NOTE A:** INSTALLING ELECTRICIAN IS RESPONSIBLE FOR CONNECTION OF A NORMALLY OPEN **INTERLOCK** (FURNISHED) TO THE HUMID AIR FAN.

REMOTE CONTROL REQUIRES A RECTANGULAR **MOUNTING CUTOUT** 10 1/8 WIDE X 7 1/8 HIGH.

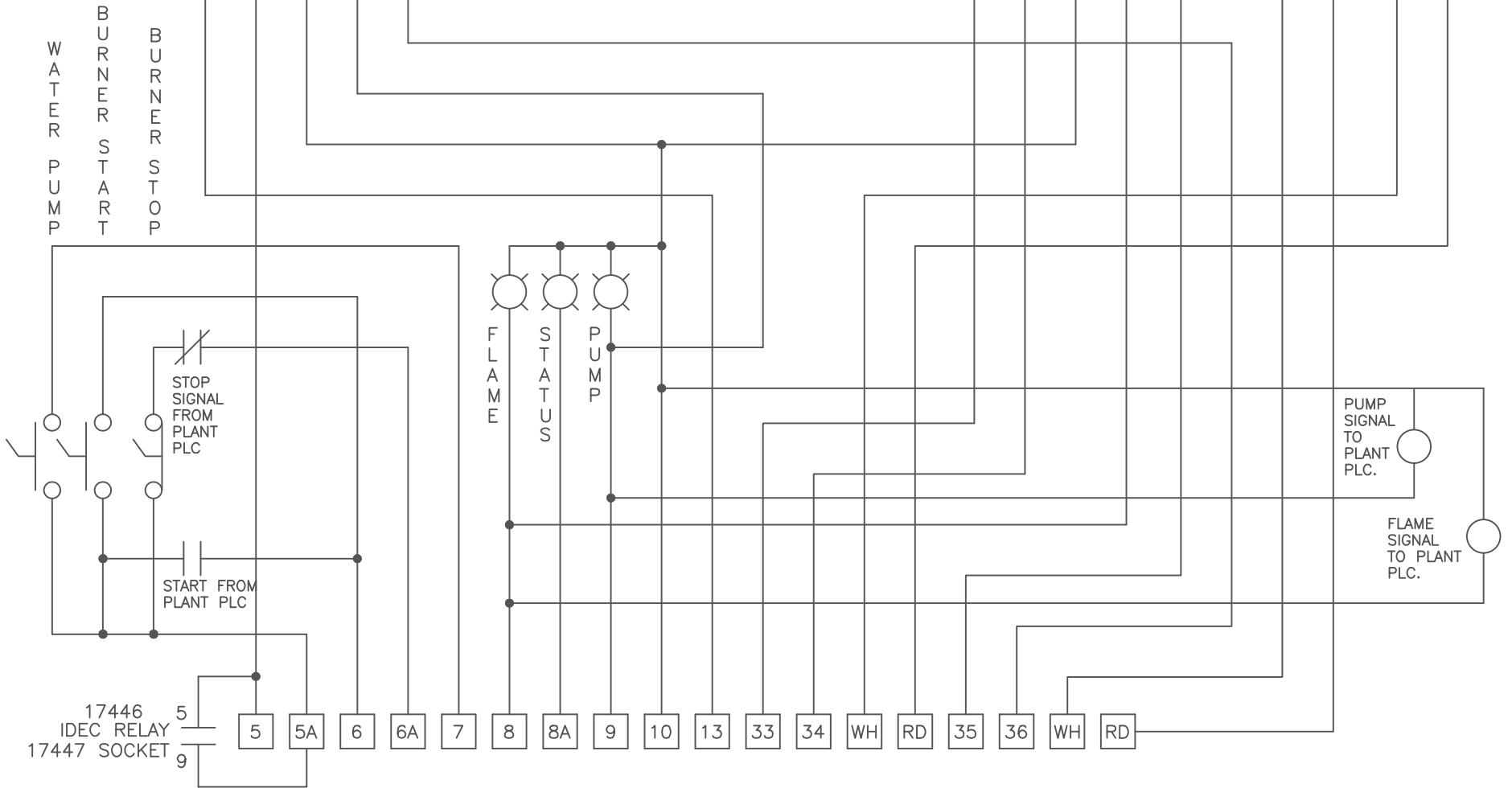
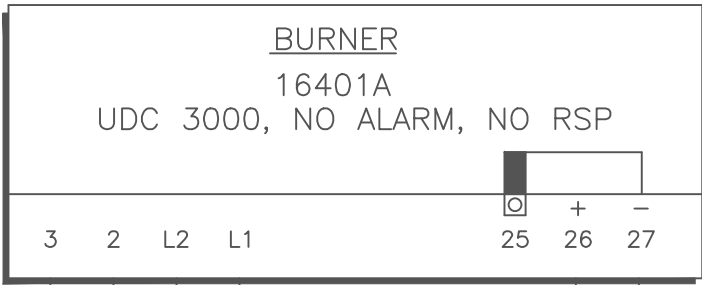
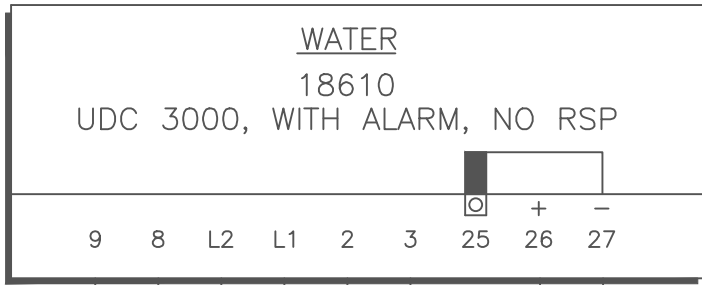
FOR **BLUE UDC-3000 CONTROLS** MAKE THE FOLLOWING TERMINAL SUBSTITUTIONS: 10 FOR 23, 11 FOR 24, 18 FOR 27, AND 1 FOR 3.



8-95

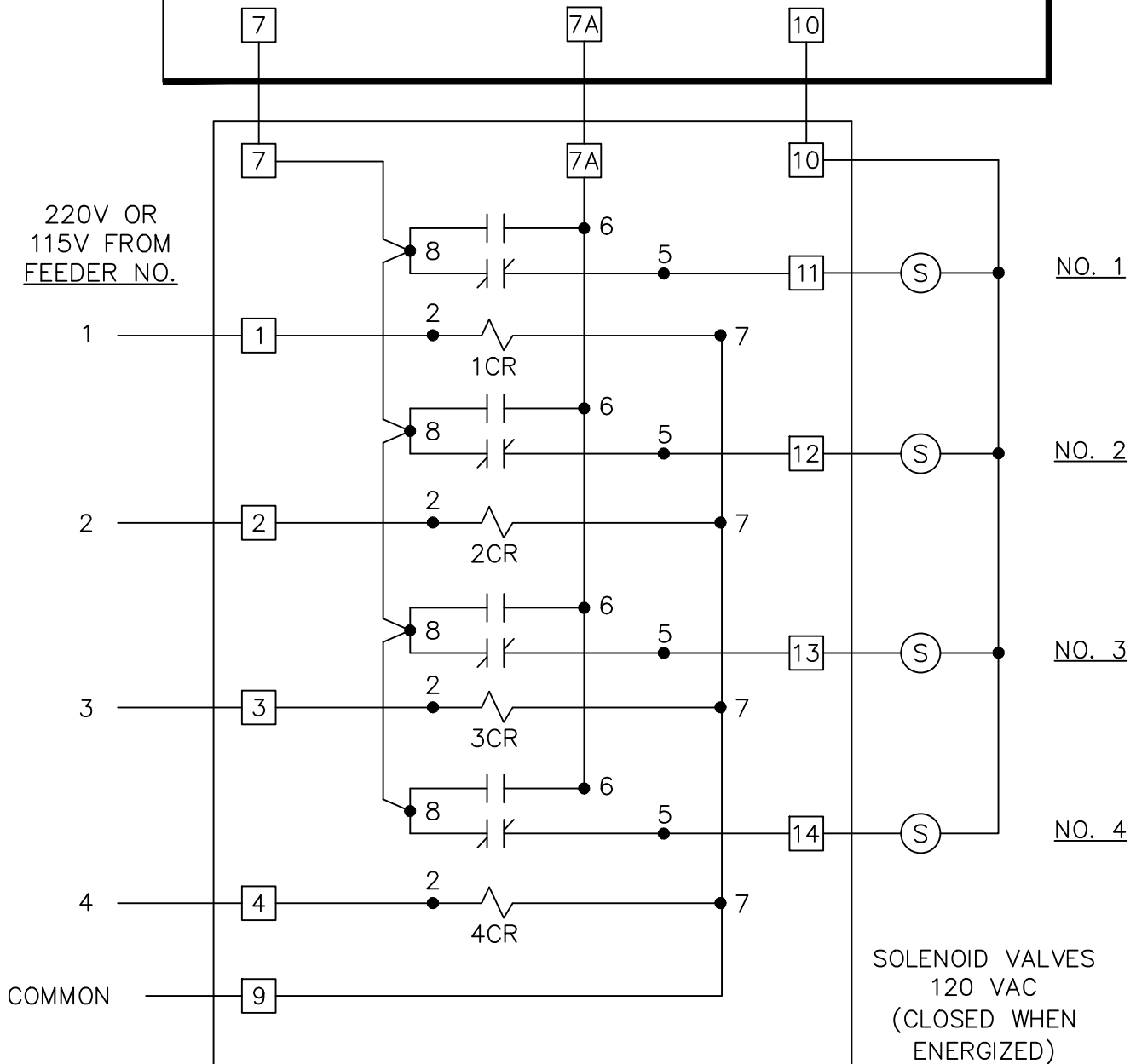
CAT 2390

SAMUEL JACKSON, INC.  
19000 HUMIDAIRE REMOTE  
WIRING SCHEMATIC



# ELECTRICAL SCHEMATIC 13850 RELAY PANEL FOR JACKSON CONDITIONING HOPPERS SINGLE AIR ENTRY

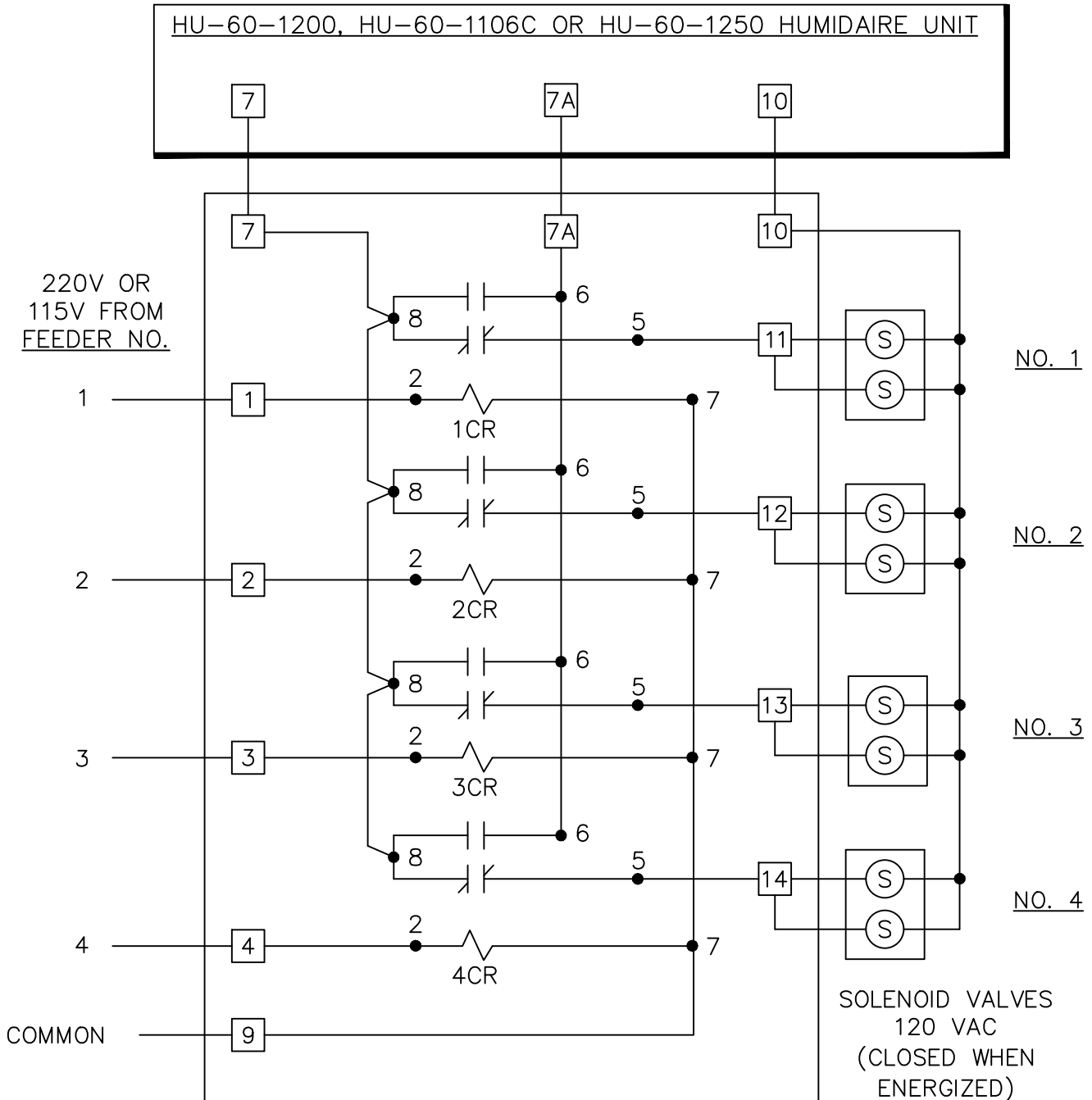
HU-60-1200, HU-60-1106C OR HU-60-1250 HUMIDAIRE UNIT



13850 RELAY PANEL  
USE 13146 RELAYS, 120 VAC  
OR  
13864 RELAYS, 240 VAC FOR EXPORT.

SOLENOID VALVE COILS ARE ALWAYS  
120 VAC. THEIR POWER COMES FROM  
TERMINAL 7 OF THE HUMIDAIRE UNIT.

# ELECTRICAL SCHEMATIC 13850 RELAY PANEL FOR JACKSON CONDITIONING HOPPERS DOUBLE AIR ENTRY



13850 RELAY PANEL  
USE 13146 RELAYS, 120 VAC  
OR  
13864 RELAYS, 240 VAC FOR EXPORT.

SOLENOID VALVE COILS ARE ALWAYS  
120 VAC. THEIR POWER COMES FROM  
TERMINAL 7 OF THE HUMIDAIRE UNIT.