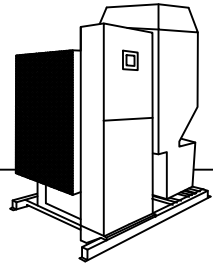


# HUMIDAIRE UNIT EXTERNAL ELECTRICAL CONNECTIONS WITH OPTIONAL MOISTURE MIRROR II REMOTE CONTROL

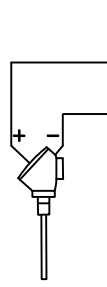
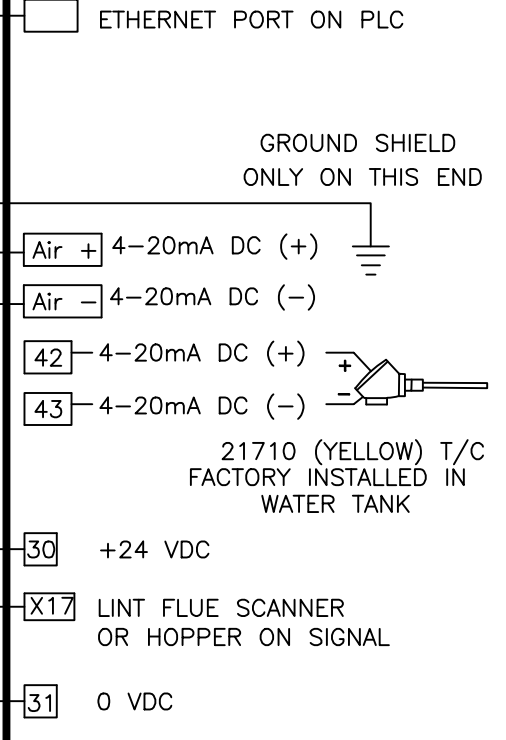
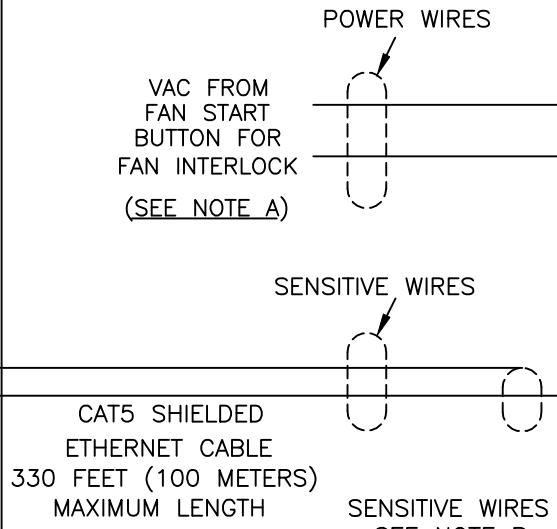
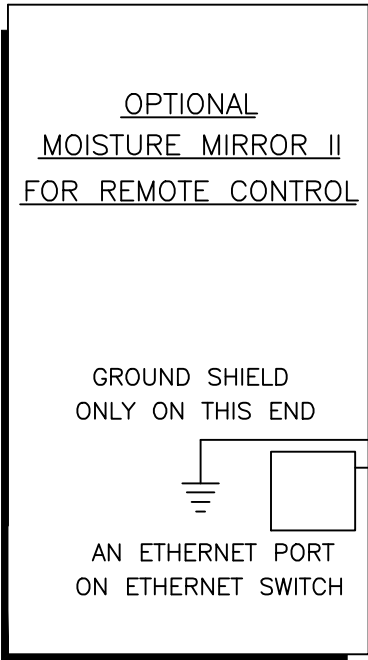
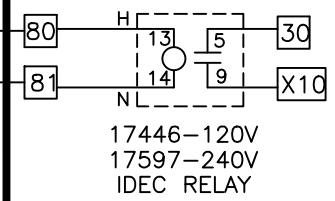
CA12128A  
2-09

NOTE: RUN POWER WIRES AND SENSITIVE WIRES IN SEPARATE CONDUITS.

3-PHASE  
POWER

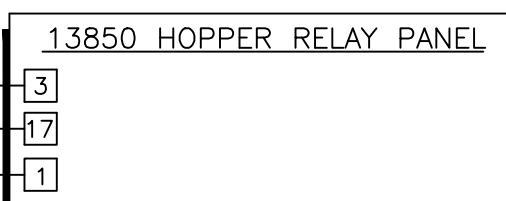
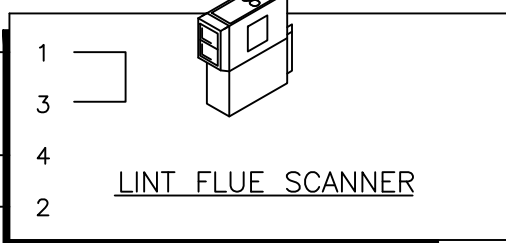
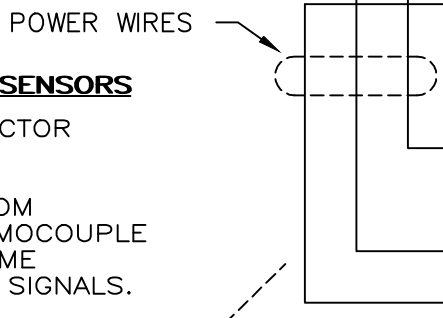


HUMIDAIRE UNIT

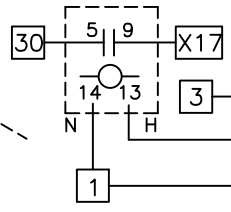


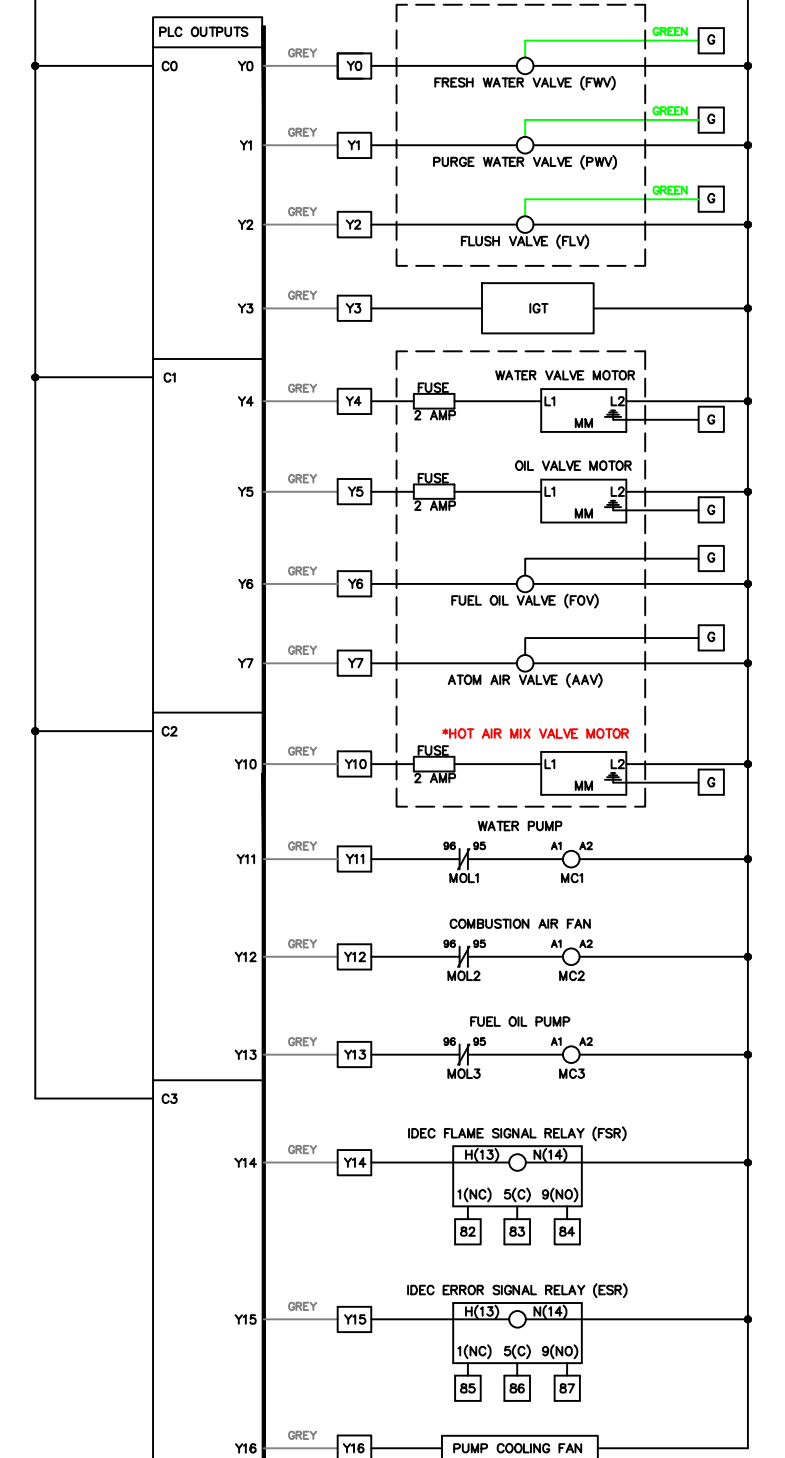
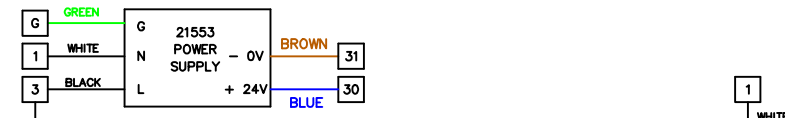
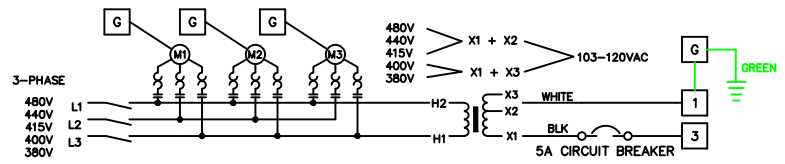
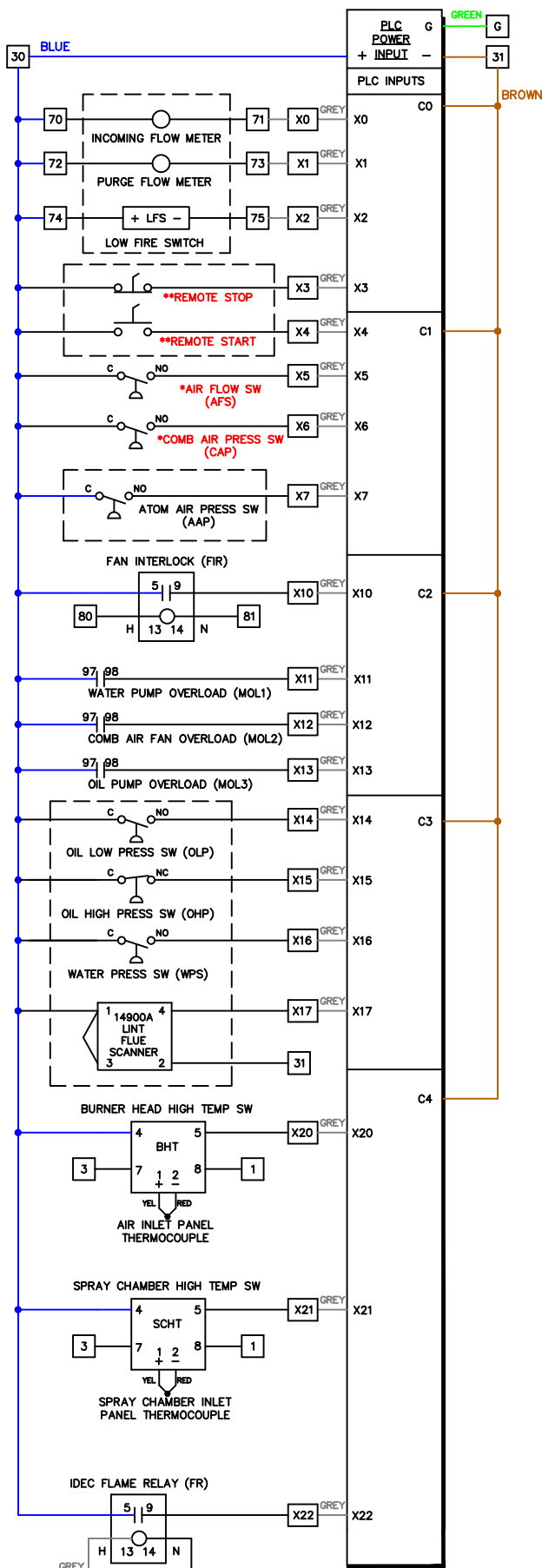
NOTE A: INSTALLING ELECTRICIAN IS RESPONSIBLE FOR CONNECTION OF THE NORMALLY OPEN **INTERLOCK** TO THE HUMID AIR FAN.

NOTE B:  
**THERMOCOUPLE TEMPERATURE SENSORS**  
USE ONLY SHIELDED, 2 CONDUCTOR CABLE FURNISHED WITH UNIT.  
RUN IN SEPARATE CONDUIT FROM POWER WIRES. SEVERAL THERMOCOUPLE WIRES MAY BE RUN IN THE SAME CONDUIT WITH OTHER 4-20mA SIGNALS.



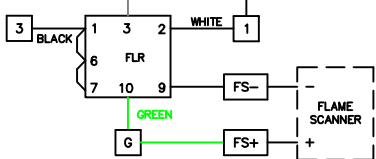
ONLY ONE OF THESE WILL BE USED FOR WATER PUMP RUN SIGNAL DEPENDING ON APPLICATION  
HOPPERS REQUIRE EXTRA IDEC RELAY PART NO. 17446-120V OR 17597-240V





\* OPTIONAL

\*\* REMOVE JUMPER BETWEEN 30 & 94 WHEN INSTALLING OPTIONAL REMOTE START/STOP

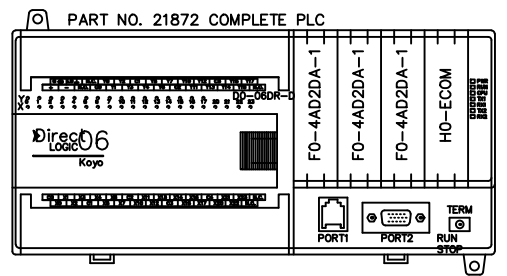
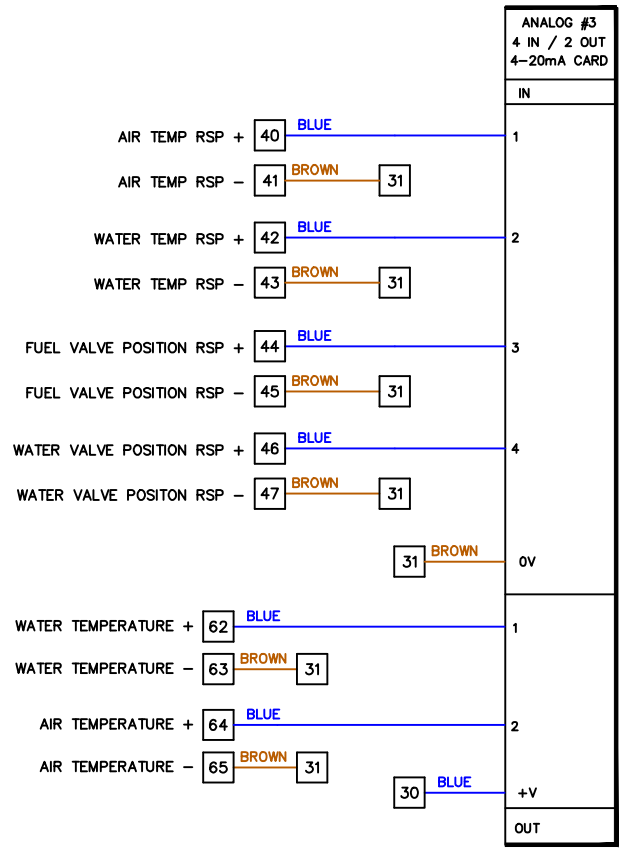
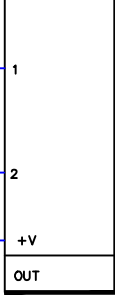
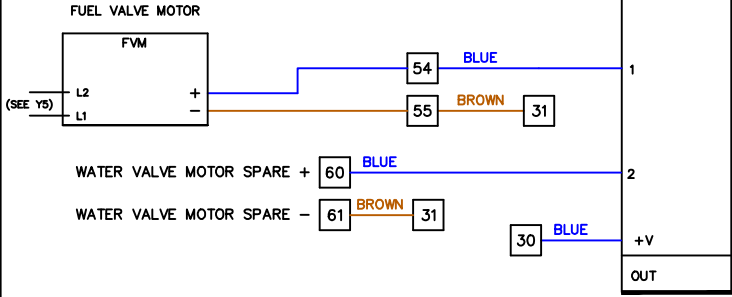
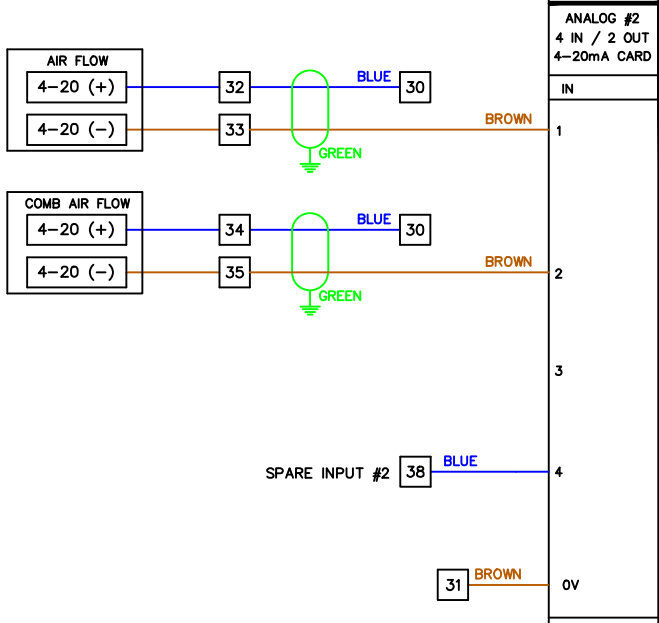
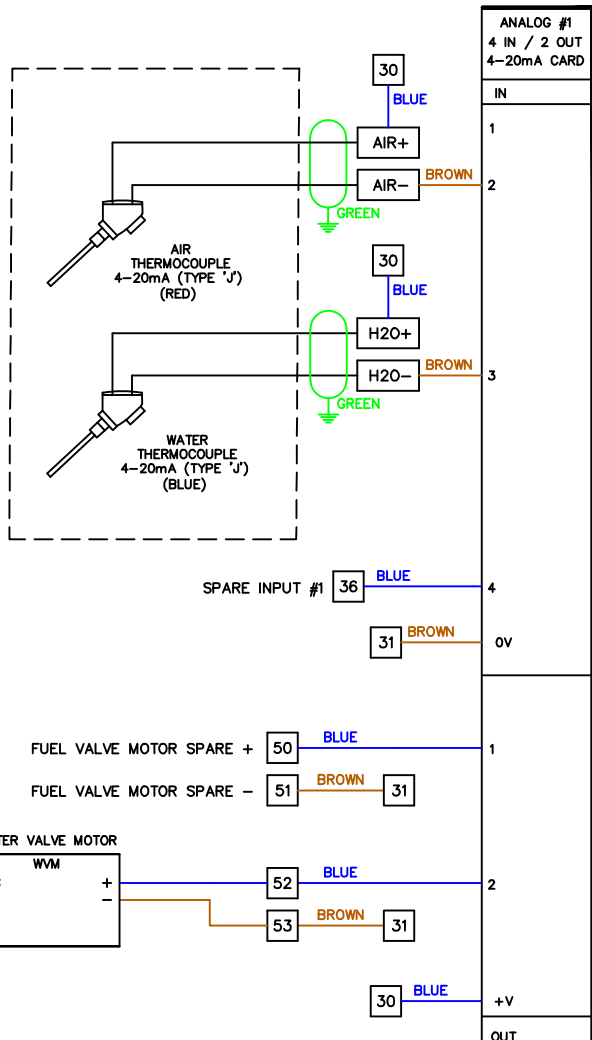


**SAMUEL JACKSON, INC.**

ELECTRICAL SCHEMATIC WITH DISCRETE PLC I/O FOR HU-90-1490 HU/SAHARA & 1465

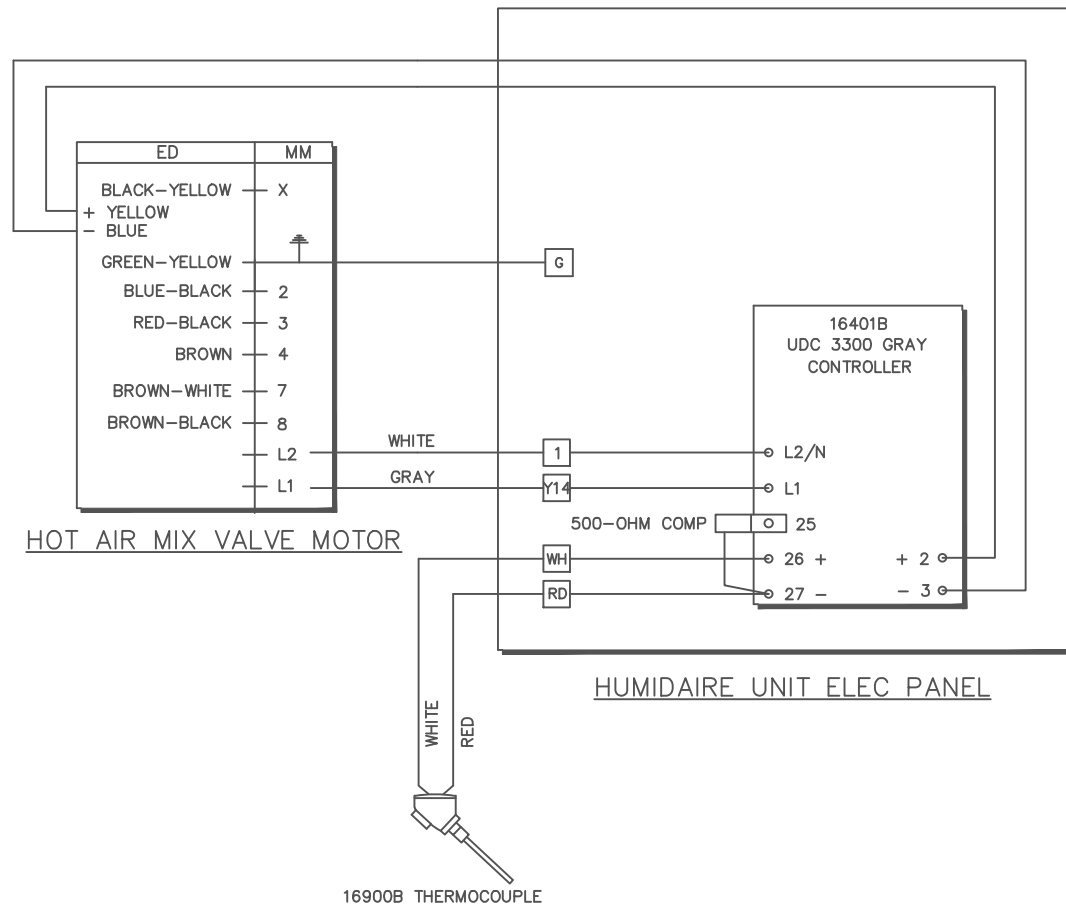
3-06

CA14200A



**SAMUEL JACKSON, INC.**  
 ELECTRICAL SCHEMATIC  
 WITH ANALOG PLC I/O  
 FOR HU-SA-1490  
 HU/SAHARA 1465 1545

CA14201A  
 9-11



LOCATE UDC 3300 CONTROLLER INSIDE UPPER CABINET OF HUMIDAIRE UNIT. USE STAINLESS BRACKET SUPPLIED TO SURFACE MOUNT IT ON PANEL FOR CONTROLS.

LOCATE THERMOCOUPLE IN HOT AIR PIPE DOWNSTREAM OF FAN, IF FAN IS USED. BRAZE ANGLE NIPPLE TO PIPE, THEN USE NIPPLE AS GUIDE TO DRILL 1/2" HOLE INTO HOT AIR PIPE.

FOR THERMOCOUPLE TEMP SENSOR, USE ONLY TYPE "J" THERMOCOUPLE EXTENSION WIRE FURNISHED WITH HOT AIR MIX VALVE. OBSERVE COLOR CODE. RED IS NEGATIVE. RUN T/C WIRES IN SEPARATE CONDUIT FROM A-C WIRES. SEVERAL T/C WIRES MAY BE RUN IN THE SAME CONDUIT.

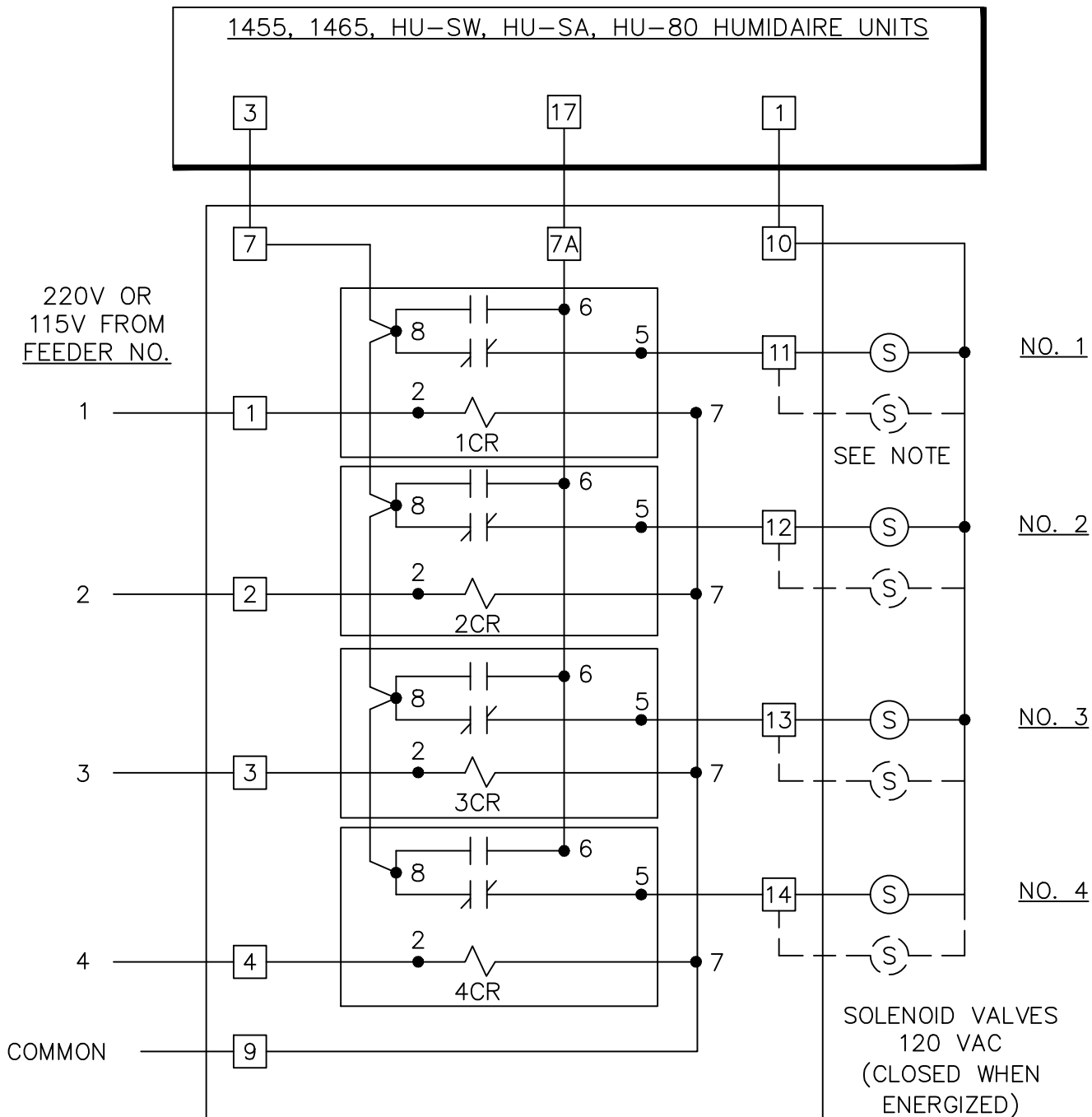
FOR BLUE UDC 3000 CONTROLLERS SUBSTITUTE 17 FOR 26, 18 FOR 27, AND 1 FOR 3.

<b>SAMUEL JACKSON, INC.</b>	
ELECTRICAL CONNECTIONS HOT AIR MIX VALVE	
REF: 1255, 1265, 1455, 1465, 1535	
DWN. BY BR	DRAWING NO.
DATE 5-8-06	14-4709A

FOR:

SCALE:

# ELECTRICAL SCHEMATIC 13850 RELAY PANEL FOR JACKSON CONDITIONING HOPPERS



13850 RELAY PANEL  
USE 13146 RELAYS, 120 VAC  
OR  
13864 RELAYS, 240 VAC FOR EXPORT

NOTE: IF DOUBLE AIR ENTRY,  
TWO SOLENOIDS ARE USED

SOLENOID VALVE COILS ARE ALWAYS  
120 VAC. THEIR POWER COMES FROM  
TERMINAL 3 OF THE HUMIDAIRE UNIT