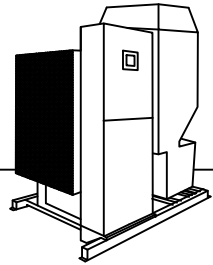


HUMIDAIRE UNIT EXTERNAL ELECTRICAL CONNECTIONS WITH OPTIONAL MOISTURE MIRROR II REMOTE CONTROL

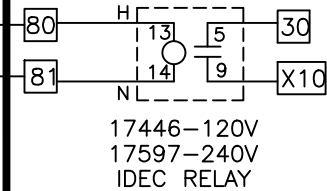
CA12128A
2-09

NOTE: RUN POWER WIRES AND SENSITIVE WIRES IN SEPARATE CONDUITS.

3-PHASE
POWER



HUMIDAIRE UNIT



OPTIONAL
MOISTURE MIRROR II
FOR REMOTE CONTROL

GROUND SHIELD
ONLY ON THIS END

AN ETHERNET PORT
ON ETHERNET SWITCH

CAT5 SHIELDED
ETHERNET CABLE
330 FEET (100 METERS)
MAXIMUM LENGTH

SENSITIVE WIRES

SENSITIVE WIRES
SEE NOTE B

ETHERNET PORT ON PLC

GROUND SHIELD
ONLY ON THIS END

Air + 4-20mA DC (+)

Air - 4-20mA DC (-)

42 4-20mA DC (+)

43 4-20mA DC (-)

21710 (YELLOW) T/C
FACTORY INSTALLED IN
WATER TANK

21708 (BLUE) T/C
INSTALLED IN MOIST AIR LINE

30 +24 VDC

X17 LINT FLUE SCANNER
OR HOPPER ON SIGNAL

31 0 VDC

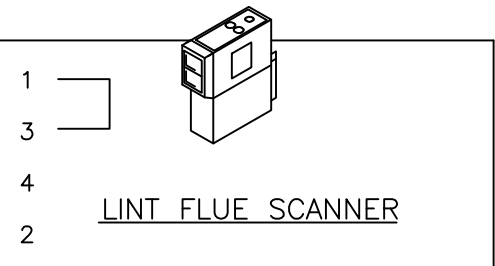
NOTE A: INSTALLING ELECTRICIAN IS RESPONSIBLE FOR CONNECTION OF THE NORMALLY OPEN **INTERLOCK** TO THE HUMID AIR FAN.

NOTE B:
THERMOCOUPLE TEMPERATURE SENSORS

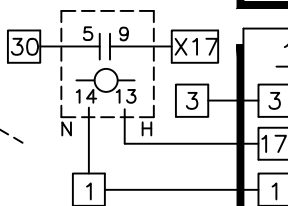
USE ONLY SHIELDED, 2 CONDUCTOR CABLE FURNISHED WITH UNIT.

RUN IN SEPARATE CONDUIT FROM POWER WIRES. SEVERAL THERMOCOUPLE WIRES MAY BE RUN IN THE SAME CONDUIT WITH OTHER 4-20mA SIGNALS.

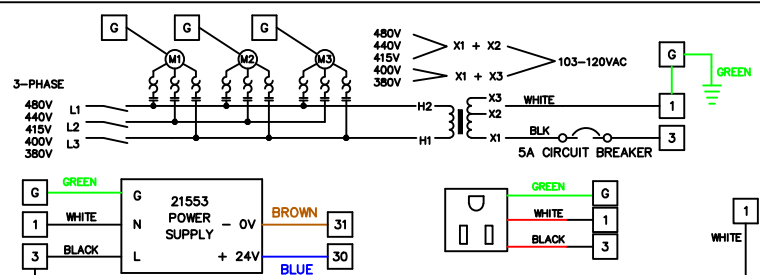
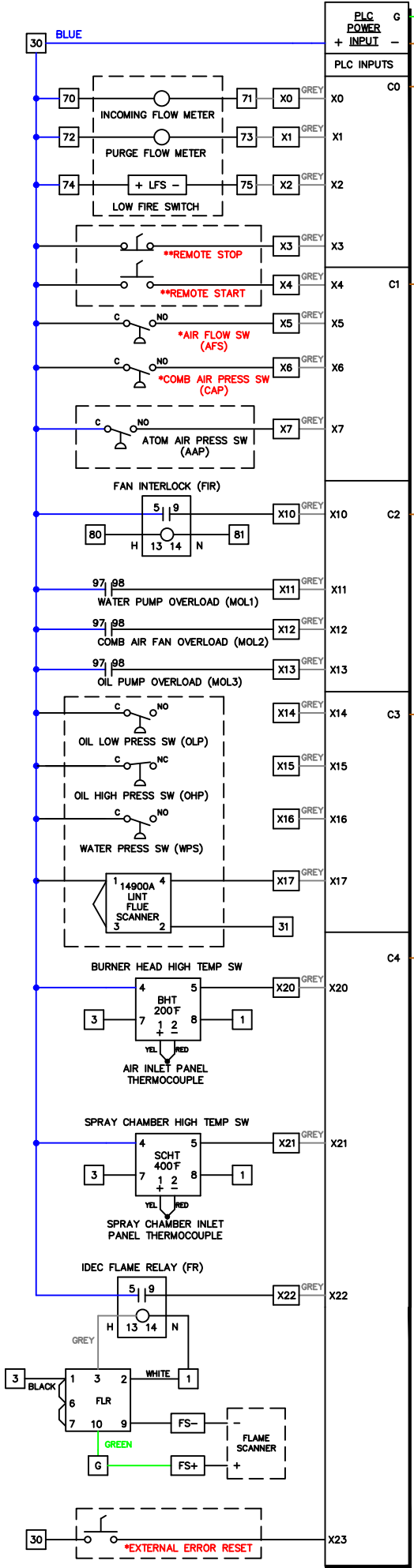
POWER WIRES



13850 HOPPER RELAY PANEL



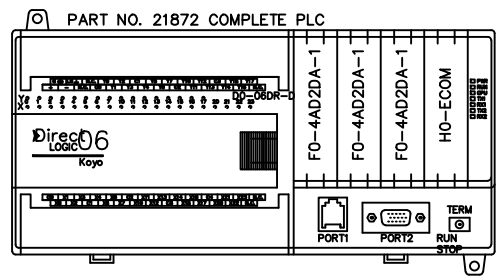
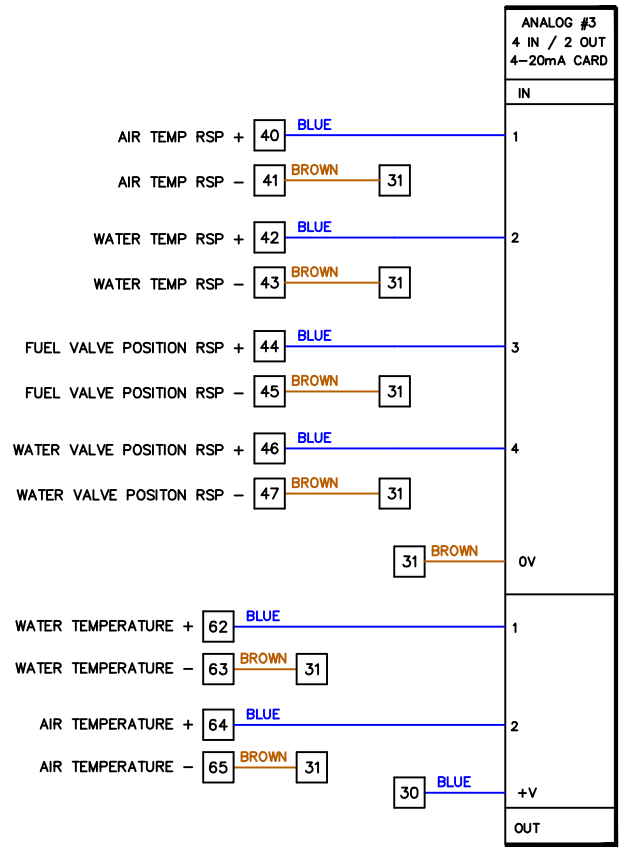
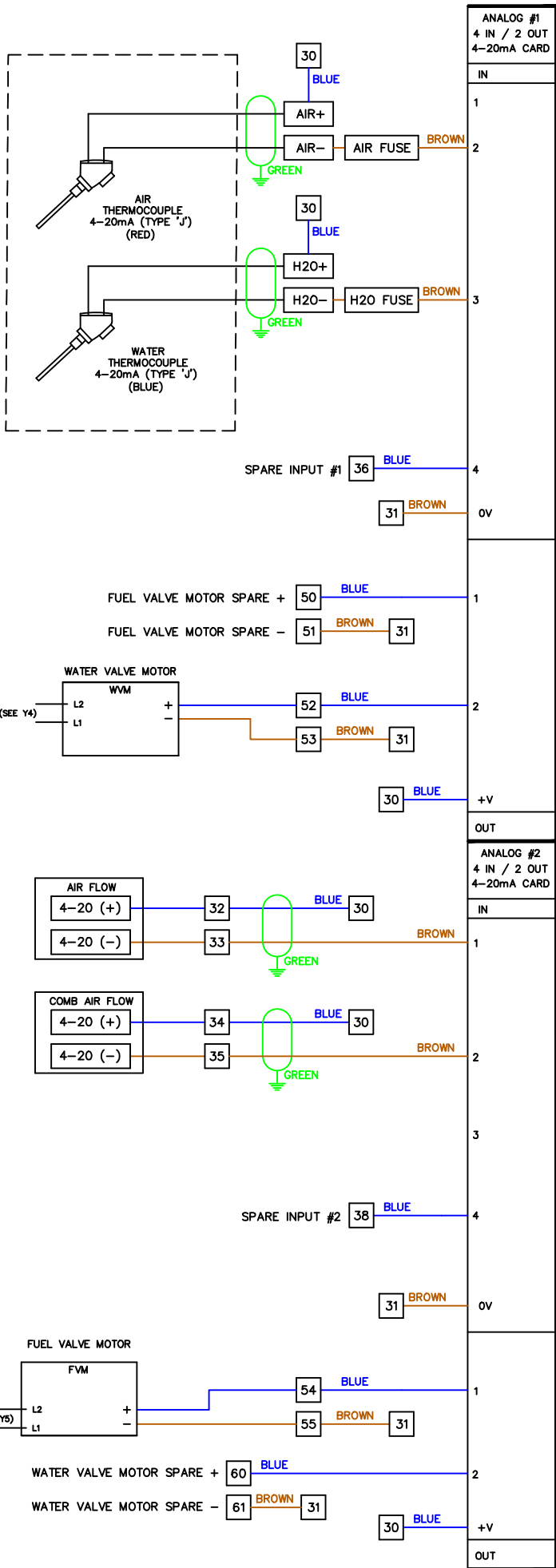
ONLY ONE OF THESE WILL BE USED FOR WATER PUMP RUN SIGNAL DEPENDING ON APPLICATION
HOPPERS REQUIRE EXTRA IDEC RELAY PART NO. 17446-120V OR 17597-240V



* OPTIONAL
 ** REMOVE JUMPER BETWEEN 30 & X3 WHEN INSTALLING OPTIONAL REMOTE START/STOP

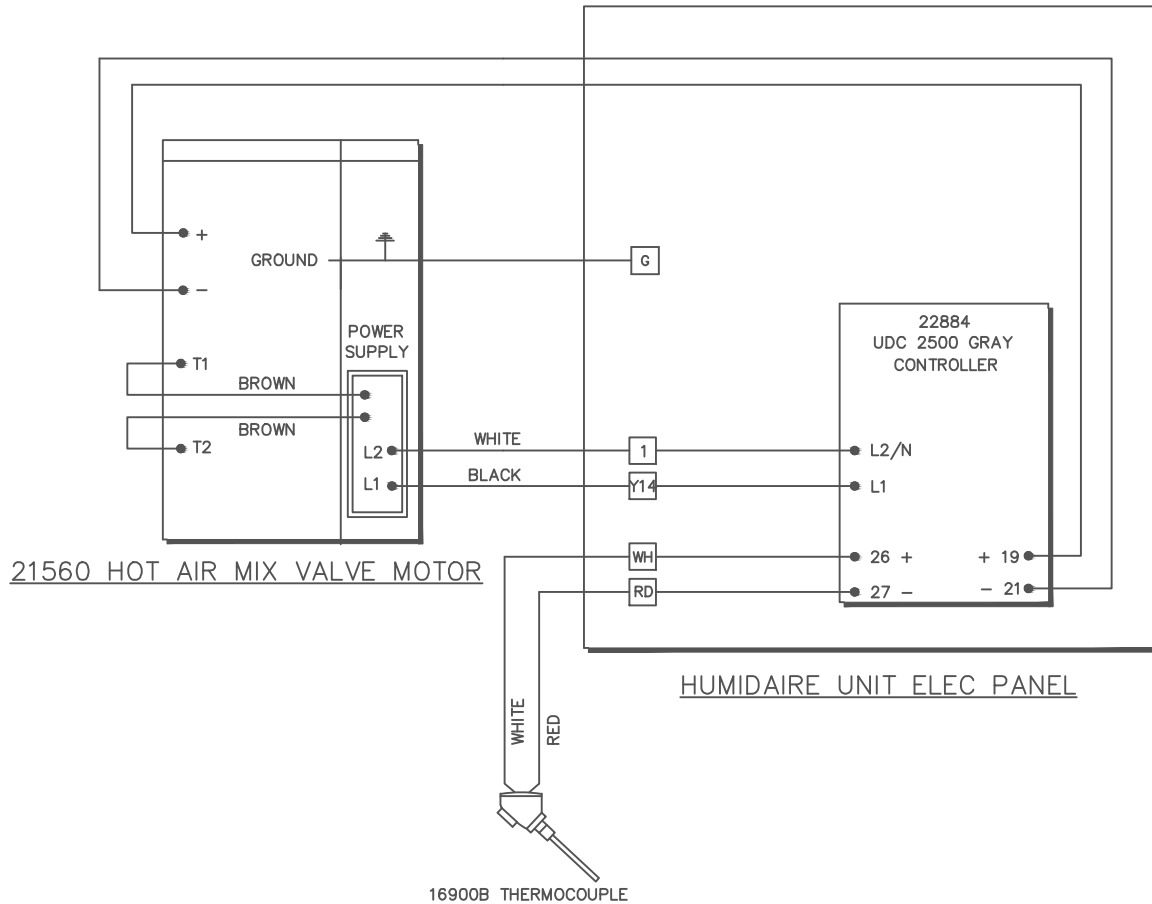
SAMUEL JACKSON, INC.
 ELECTRICAL SCHEMATIC
 WITH DISCRETE PLC I/O
 FOR HU-SA-1490
 HU/SAHARA 1465 1545

CA14200E
 5-14



SAMUEL JACKSON, INC.
ELECTRICAL SCHEMATIC
WITH ANALOG PLC I/O
FOR HU-SA-1490
HU/SAHARA 1465 1545

CA14201B
2-12



LOCATE UDC 2500 CONTROLLER INSIDE UPPER CABINET OF HUMIDAIRE UNIT. USE STAINLESS BRACKET SUPPLIED TO SURFACE MOUNT IT ON PANEL FOR CONTROLS.

LOCATE THERMOCOUPLE IN HOT AIR PIPE DOWNSTREAM OF FAN, IF FAN IS USED. BRAZE ANGLE NIPPLE TO PIPE, THEN USE NIPPLE AS GUIDE TO DRILL 1/2" HOLE INTO HOT AIR PIPE.

FOR THERMOCOUPLE TEMP SENSOR, USE ONLY TYPE "J" THERMOCOUPLE EXTENSION WIRE FURNISHED WITH HOT AIR MIX VALVE. OBSERVE COLOR CODE. RED IS NEGATIVE. RUN T/C WIRES IN SEPARATE CONDUIT FROM A-C WIRES. SEVERAL T/C WIRES MAY BE RUN IN THE SAME CONDUIT.

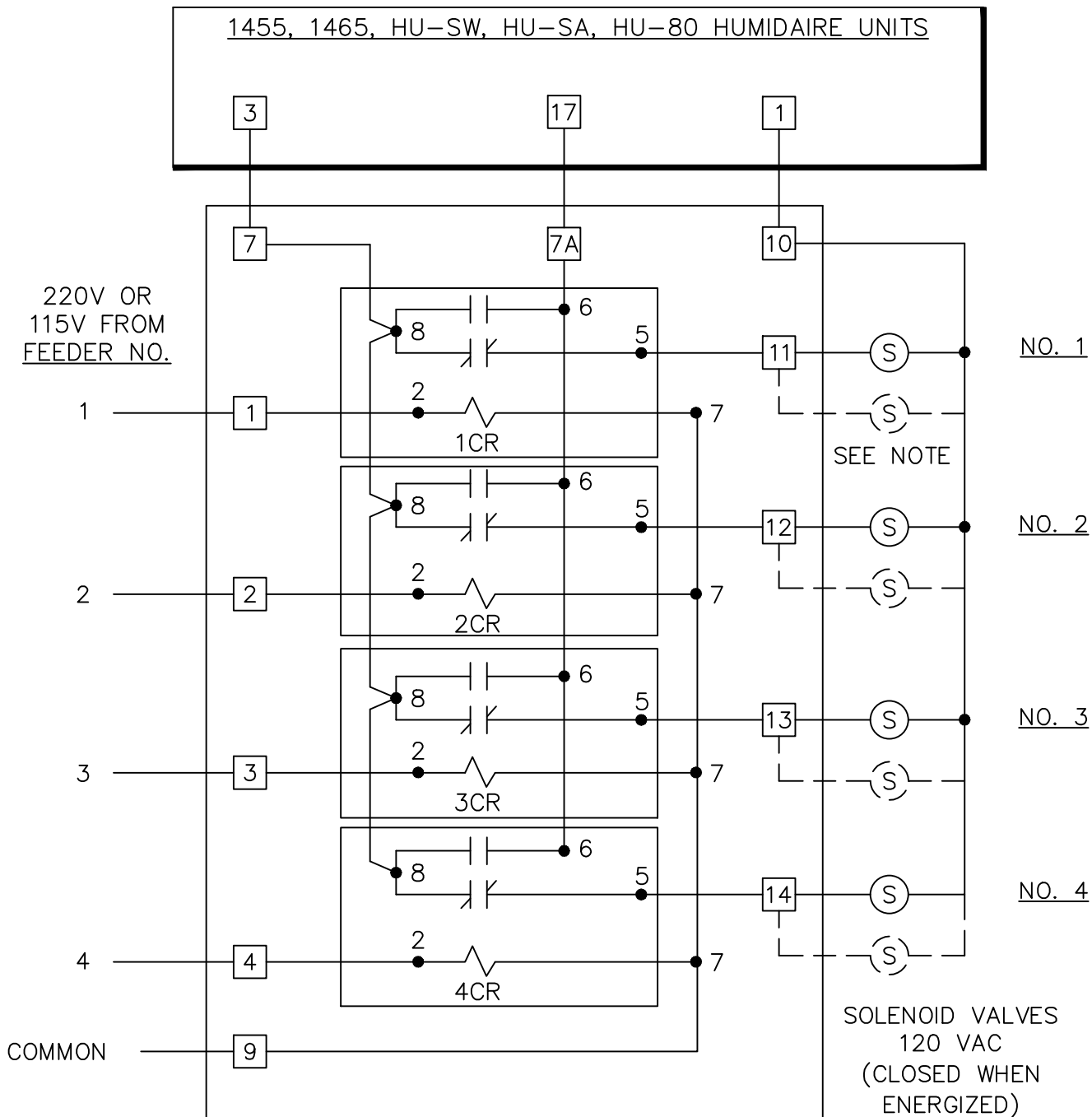
FOR BLUE UDC 3000 CONTROLLERS SUBSTITUTE 17 FOR 26, 18 FOR 27, AND 1 FOR 21.
FOR GREY UDC 3300 CONTROLLERS SUBSTITUTE, 2 FOR 19, AND 3 FOR 21.

SAMUEL JACKSON, INC.	
ELECTRICAL CONNECTIONS HOT AIR MIX VALVE	
REF: 1255, 1265, 1455, 1465, 1535	
DWN. BY BR	DRAWING NO.
DATE 5-8-06	14-4709B

FOR:

SCALE:

ELECTRICAL SCHEMATIC 13850 RELAY PANEL FOR JACKSON CONDITIONING HOPPERS



13850 RELAY PANEL
USE 13146 RELAYS, 120 VAC
OR
13864 RELAYS, 240 VAC FOR EXPORT

NOTE: IF DOUBLE AIR ENTRY,
TWO SOLENOIDS ARE USED

SOLENOID VALVE COILS ARE ALWAYS
120 VAC. THEIR POWER COMES FROM
TERMINAL 3 OF THE HUMIDAIRE UNIT