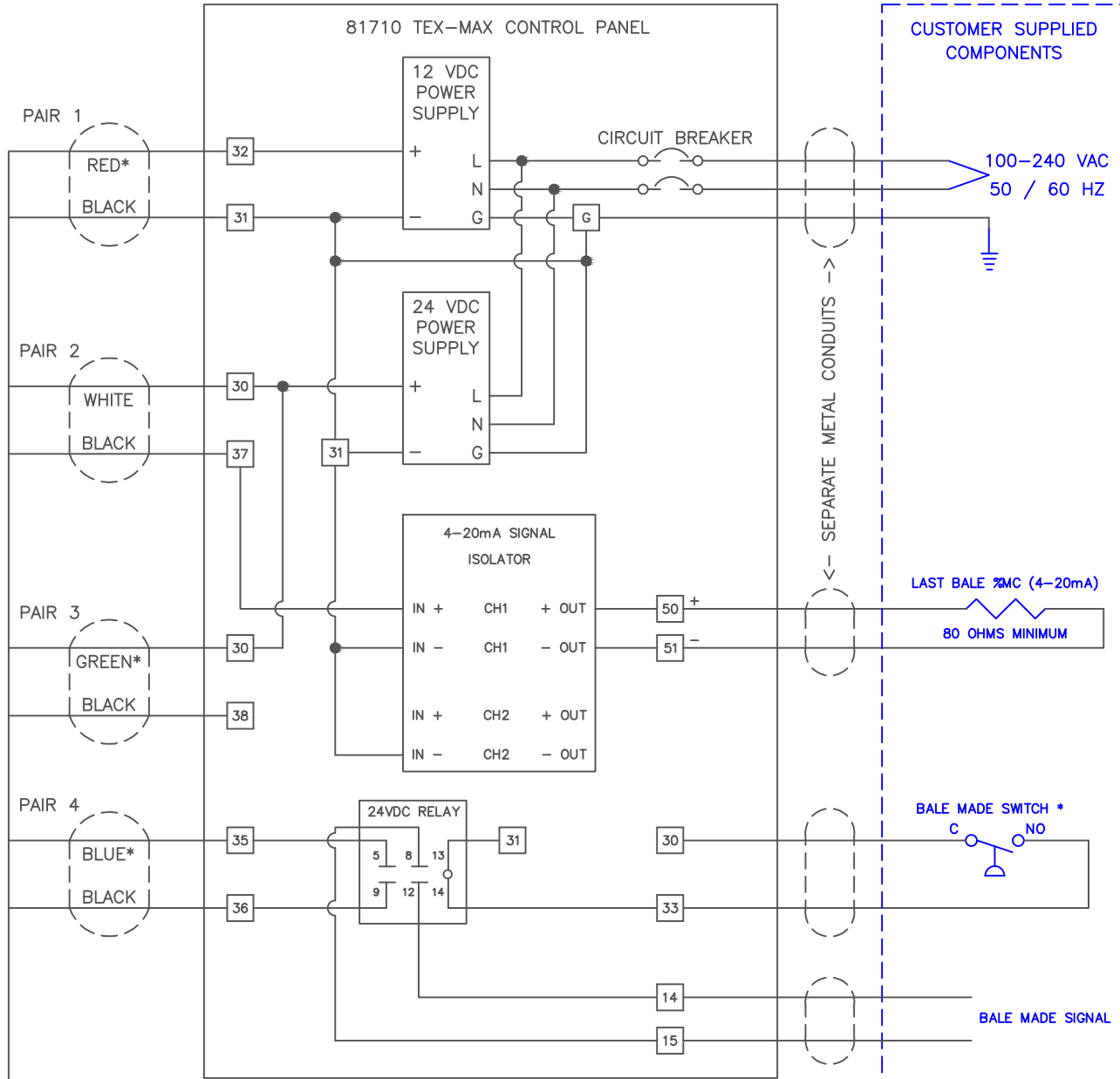


# NOT FOR USE ON BALES SUBJECTED TO WATER SPRAY



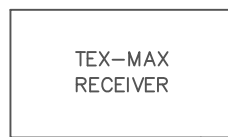
\* WIRE MAY BE WHITE

\* BALE SWITCH MUST BE TRIGGERED BEFORE BALE EXITS TEX-MAX SENSING AREA

CABLE FROM TEX-MAX TRANSMITTER



RF CABLE



SAMUEL JACKSON, INC.

ELECTRICAL SCHEMATIC  
FOR 81710 TEX-MAX

CA13945B  
01-10