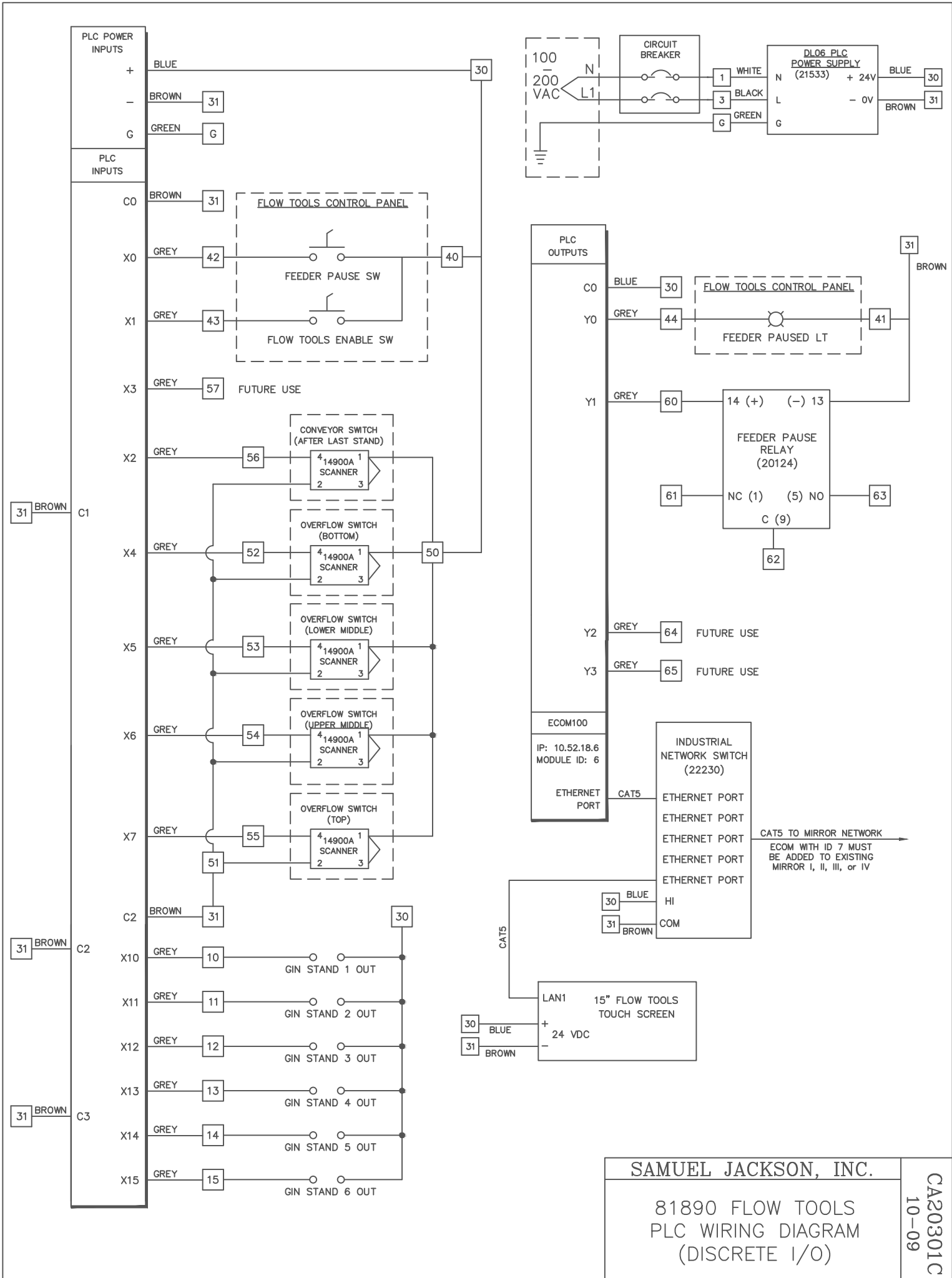
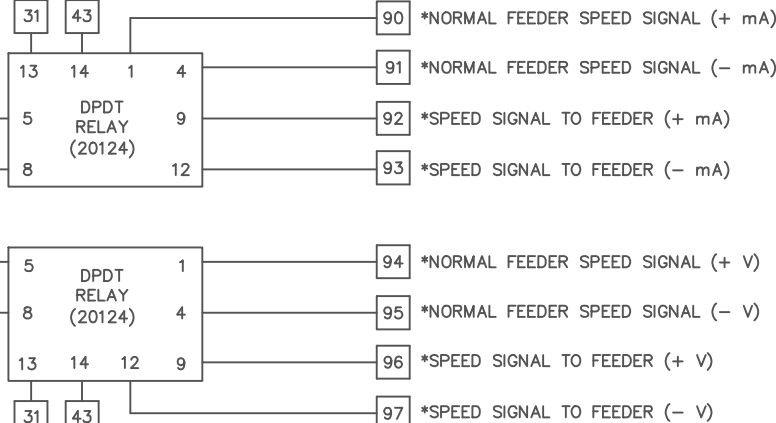
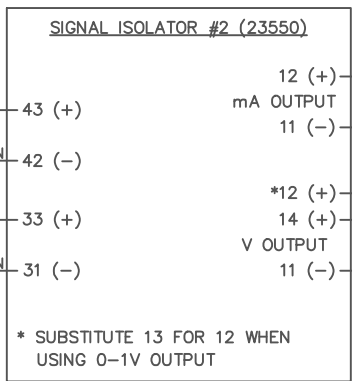
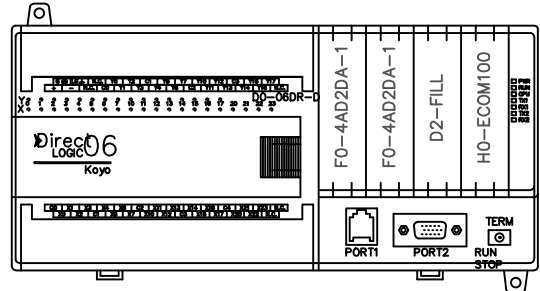
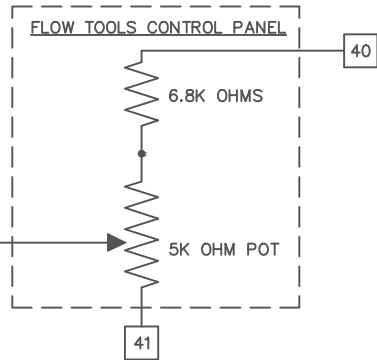
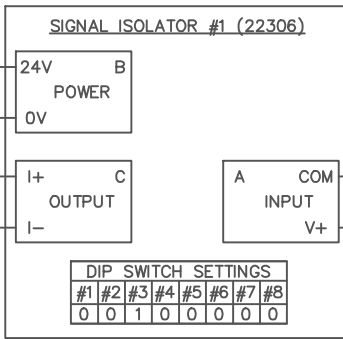


SAMUEL JACKSON, INC.

81890 FLOW TOOLS
EXTERNAL ELECTRICAL
CONNECTIONS

CA20300C
10-09

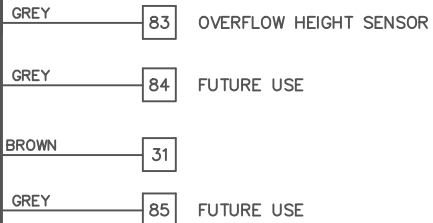
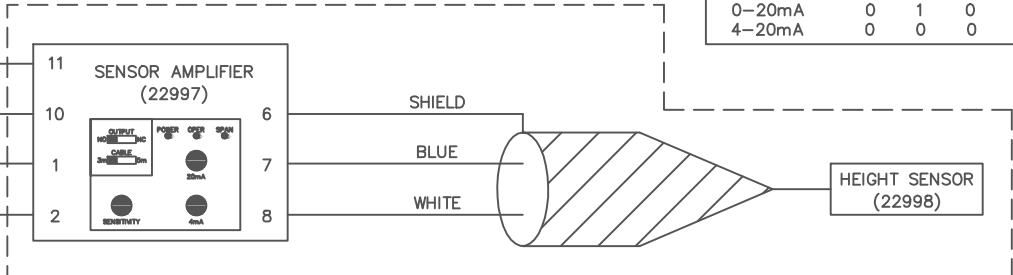




* SPEED SIGNAL TO MODULE FEEDER CONTROL MUST BE INTERCEPTED BY THE MIRROR III IF FLOW TOOLS ARE TO BE USED.
IF ORIGINAL MODULE FEEDER SPEED SIGNAL IS 0-20mA OR 4-20mA USE TERMINALS 90-93.
IF ORIGINAL MODULE FEEDER SPEED SIGNAL IS 0-10V OR 0-5V USE TERMINALS 94-97.

** DIP SWITCHS 5-8 ON SIGNAL ISOLATOR #2 MUST BE SET ACCORDING TO ORIGINAL SPEED SIGNAL TYPE. USE THE FOLLOWING TABLE TO DETERMINE THE PROPER DIP SWITCH SETTINGS.

SIGNAL TYPE	SW5	SW6	SW7	SW8
0-5V	1	1	0	1
0-10V	1	0	0	0
0-20mA	0	1	0	0
4-20mA	0	0	0	0



SAMUEL JACKSON, INC.

81890 FLOW TOOLS
PLC WIRING DIAGRAM
(ANALOG I/O)

CA20302C
11-09