

100-240VAC

N

L1

FLOW TOOLS PANEL

CIRCUIT BREAKER

G

EXISTING MODULE FEEDER CONTROLS

SPEED SIGNAL FROM EXISTING FEEDER CONTROLS

V+

V-

94

95

SPEED SIGNAL TO FEEDER CONTROLS

V+

V-

96

97

NC FEEDER PAUSE (CIRCUIT OPENS TO PAUSE FEED)

NC

61

NO FEEDER PAUSE (CIRCUIT CLOSSES TO PAUSE FEED)

C

62

NO

62

LIVE OVERFLOW

TOP OVERFLOW SWITCH (14900A)

UPPER OVERFLOW SWITCH (14900A)

LOWER OVERFLOW SWITCH (14900A)

BOTTOM OVERFLOW SWITCH (14900A)

CONVEYOR SWITCH (14900A)

50

51

55

54

53

52

56

CONSOLE

15" FLOW TOOLS TOUCH SCREEN

24 VDC

FEEDER PAUSE SW

FLOW TOOLS O/I SW

FEEDER PAUSED LT

6.8K OHMS

5K OHM POT

40

41

42

43

44

45

SHIELDED CABLE

SHIELDED CABLE

ULTRASONIC HEIGHT SENSOR

YELLOW CABLE

BROWN

BLUE

WHITE

BLACK

76

77

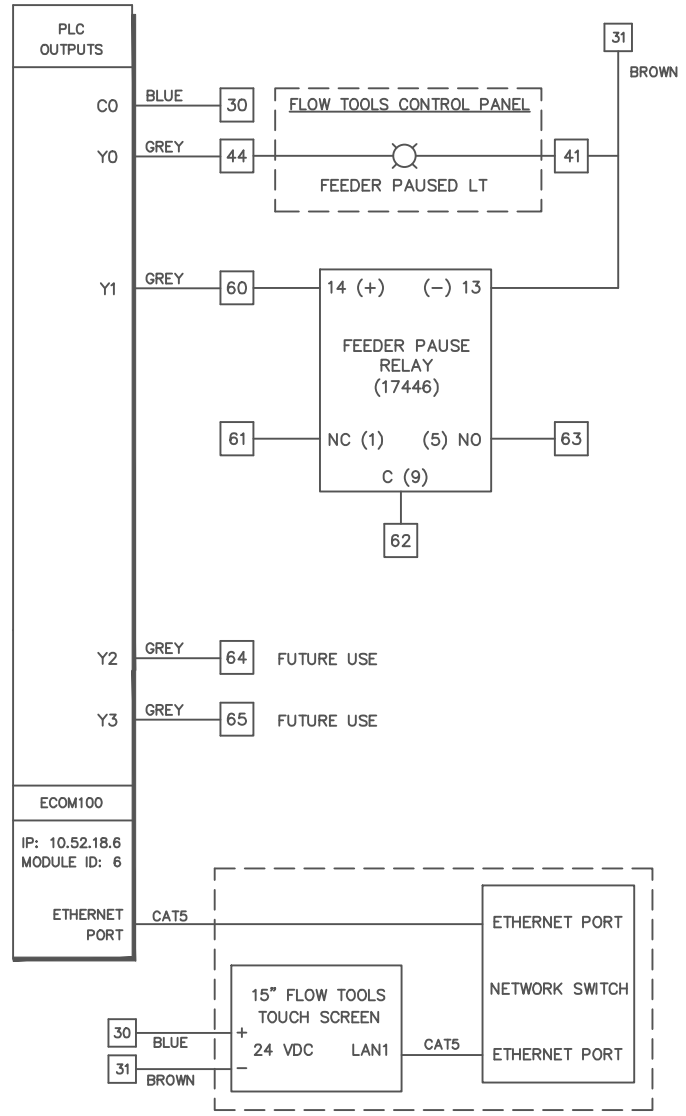
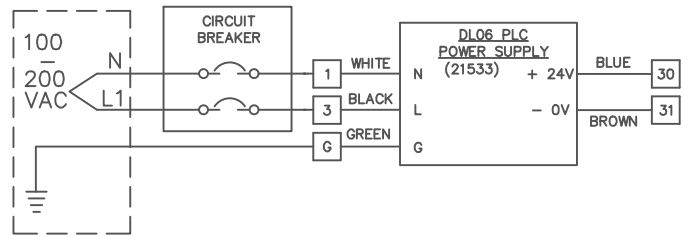
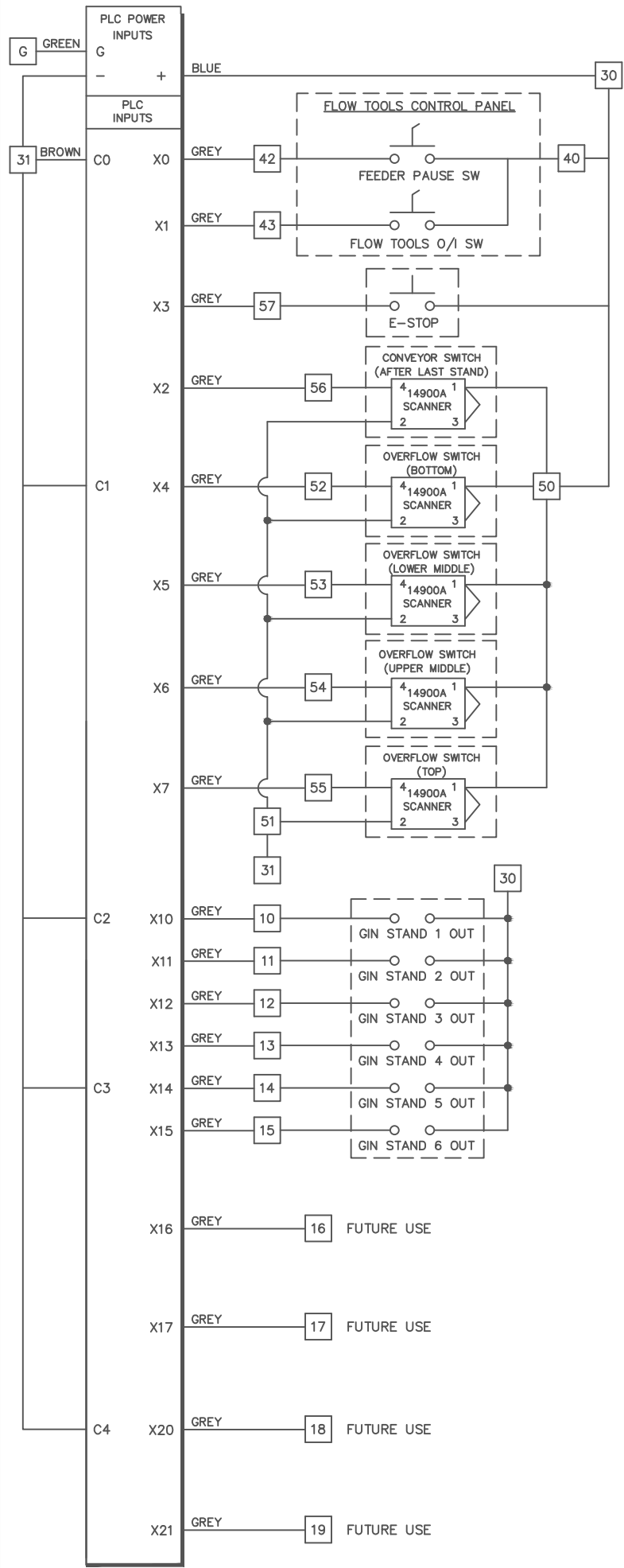
78

ULTRASONIC HEIGHT SENSOR (23294)

SAMUEL JACKSON, INC.

81890 FLOW TOOLS EXTERNAL ELECTRICAL CONNECTIONS

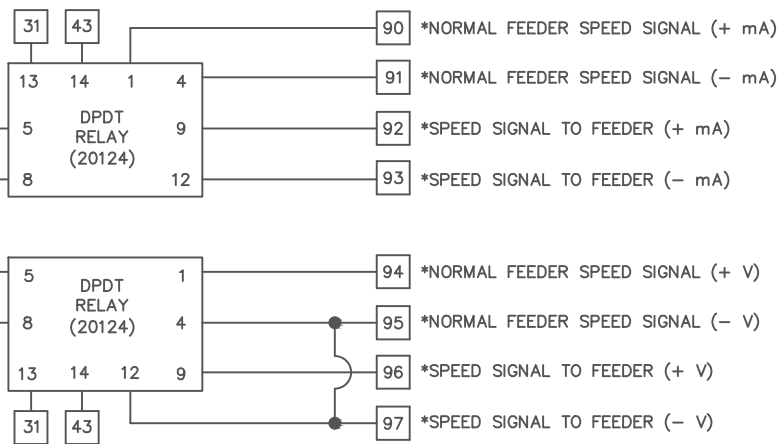
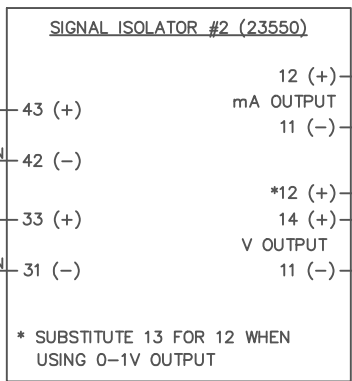
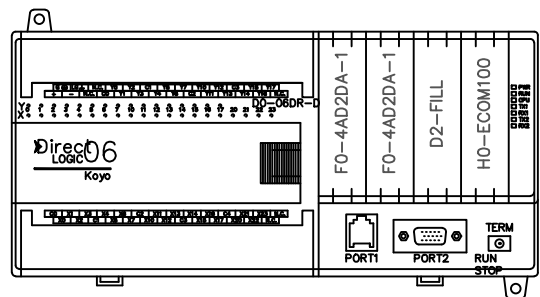
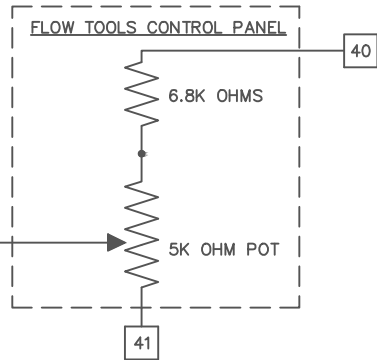
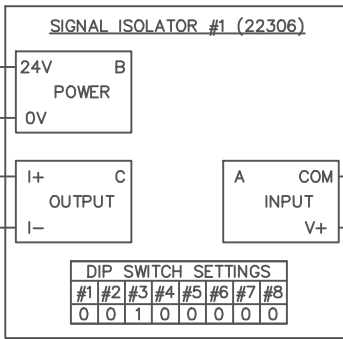
CA20300F 2-13



SAMUEL JACKSON, INC.

81890 FLOW TOOLS  
 PLC WIRING DIAGRAM  
 (DISCRETE I/O)

CA20301G  
 2\*13



\* SPEED SIGNAL TO MODULE FEEDER CONTROL MUST BE INTERCEPTED BY THE MIRROR III IF FLOW TOOLS ARE TO BE USED.  
IF ORIGINAL MODULE FEEDER SPEED SIGNAL IS 0-20mA OR 4-20mA USE TERMINALS 90-93.  
IF ORIGINAL MODULE FEEDER SPEED SIGNAL IS 0-10V OR 0-5V USE TERMINALS 94-97.

\*\* DIP SWITCHES 5-8 ON SIGNAL ISOLATOR #2 MUST BE SET ACCORDING TO ORIGINAL SPEED SIGNAL TYPE. USE THE FOLLOWING TABLE TO DETERMINE THE PROPER DIP SWITCH SETTINGS.

| SIGNAL TYPE | SW5 | SW6 | SW7 | SW8 |
|-------------|-----|-----|-----|-----|
| 0-5V        | 1   | 1   | 0   | 1   |
| 0-10V       | 1   | 0   | 0   | 0   |
| 0-20mA      | 0   | 1   | 0   | 0   |
| 4-20mA      | 0   | 0   | 0   | 0   |

