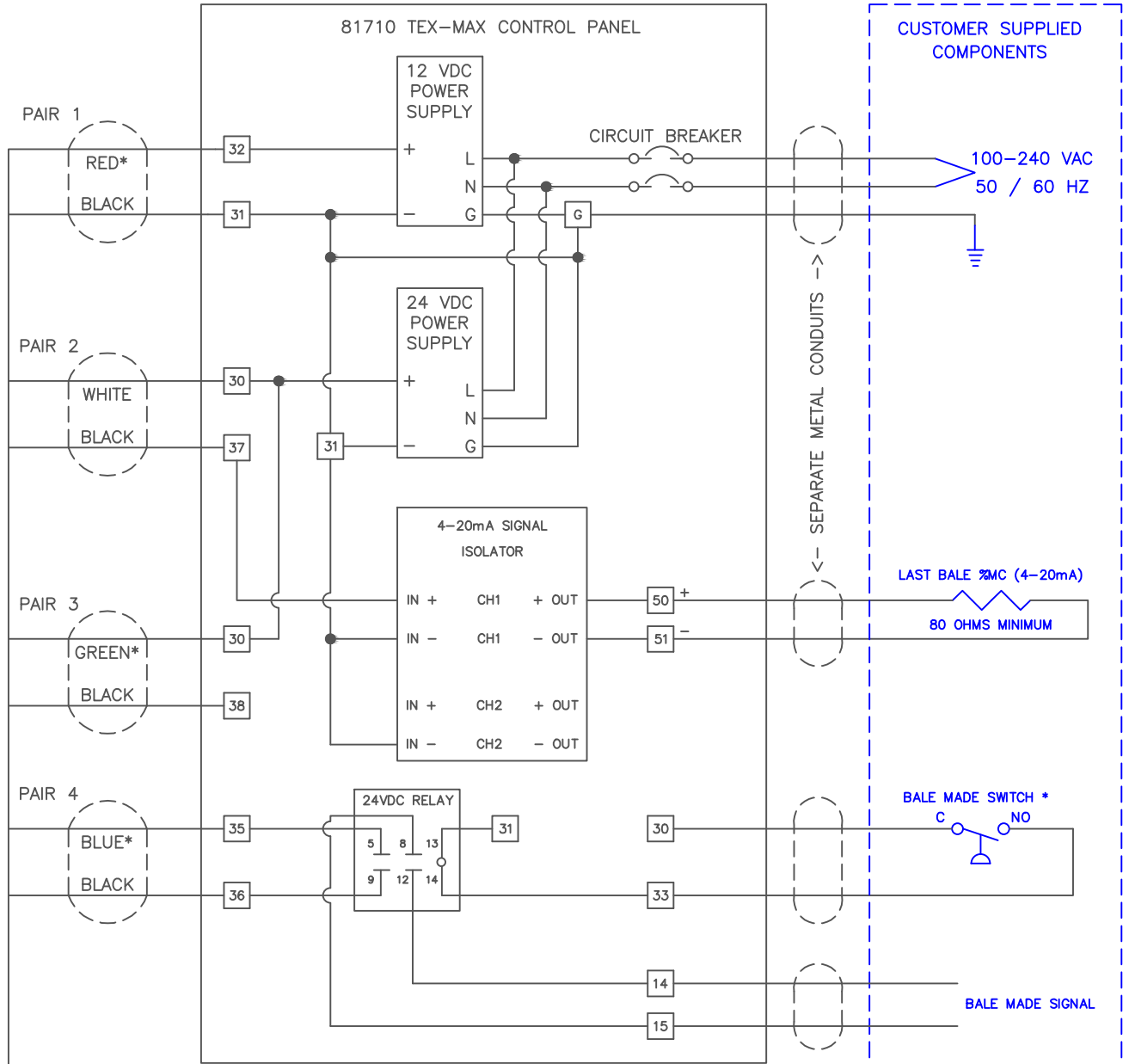


# NOT FOR USE ON BALES SUBJECTED TO WATER SPRAY



\* WIRE MAY BE WHITE

\* BALE SWITCH MUST BE TRIGGERED BEFORE BALE EXITS TEX-MAX SENSING AREA

CABLE FROM TEX-MAX TRANSMITTER

TEX-MAX TRANSMITTER

RF CABLE

TEX-MAX RECEIVER

SAMUEL JACKSON, INC.

ELECTRICAL SCHEMATIC FOR 81710 TEX-MAX

CA13945B  
 01-10